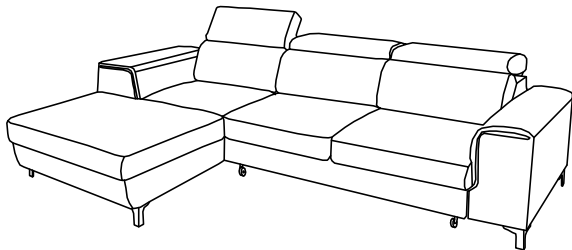
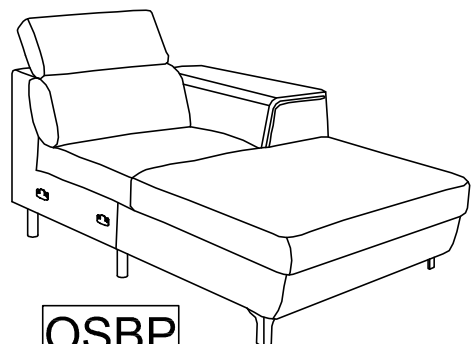
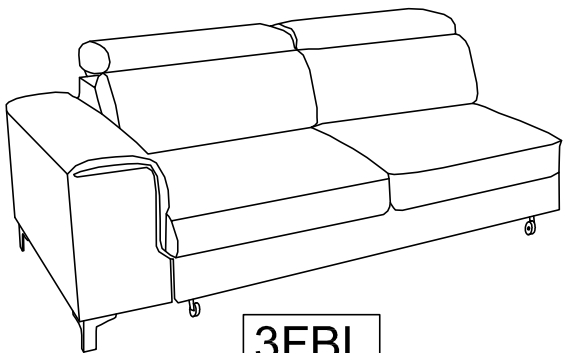
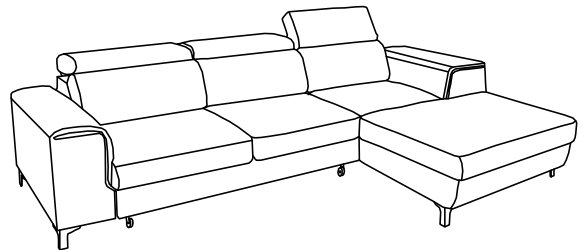


VERSION - L



VERSION - R

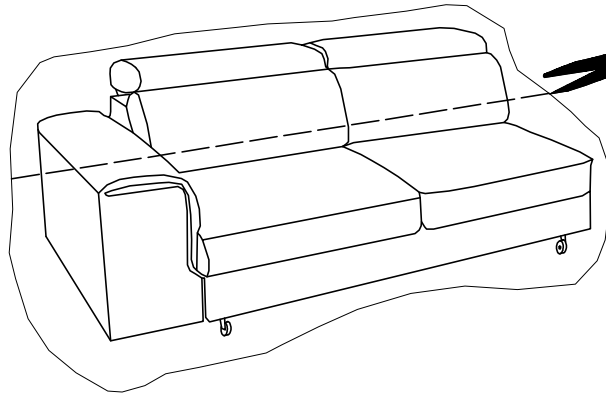


M6.0x25mm A	 B	 C
10	5	4



1

3FBL

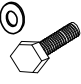




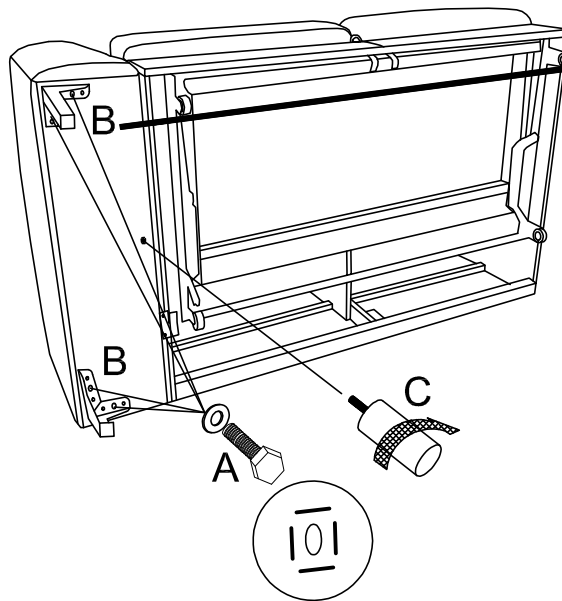
2

3FBL

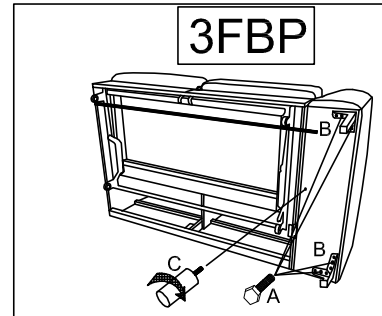


10

M6.0x25mm	
 A	 C
4	1
 B	
2	

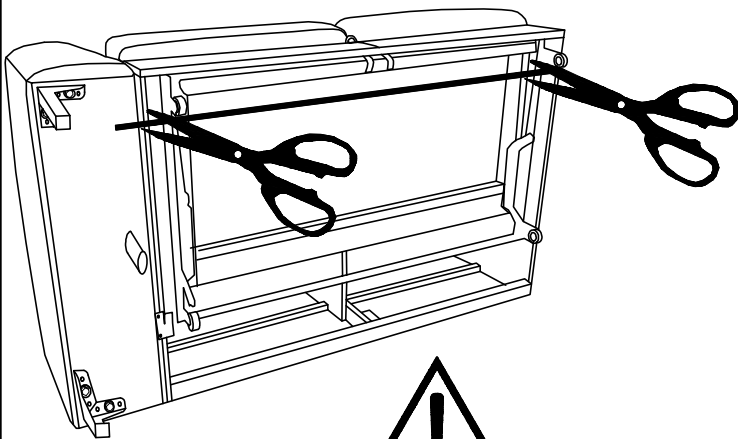


90°



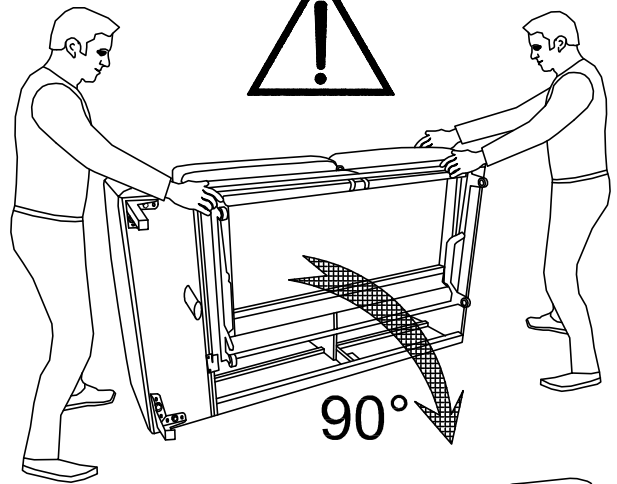
3

3FBL

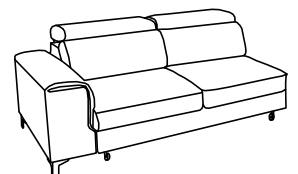


4

3FBL

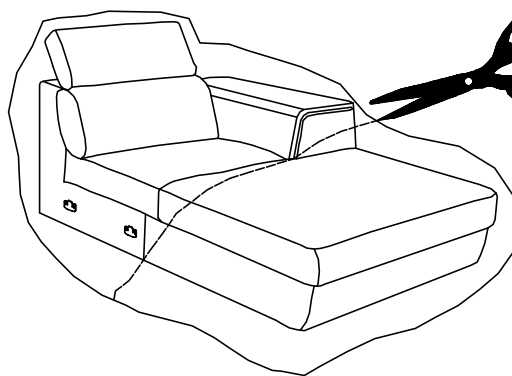


90°



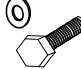


5

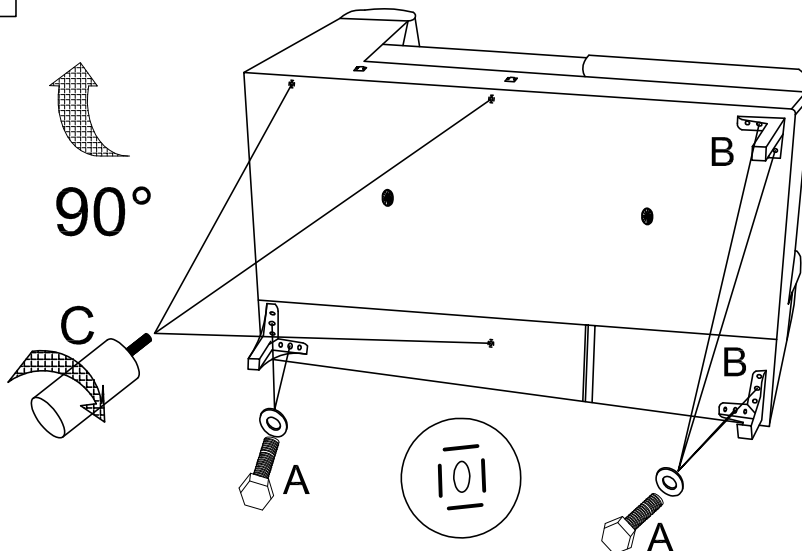
OSBP



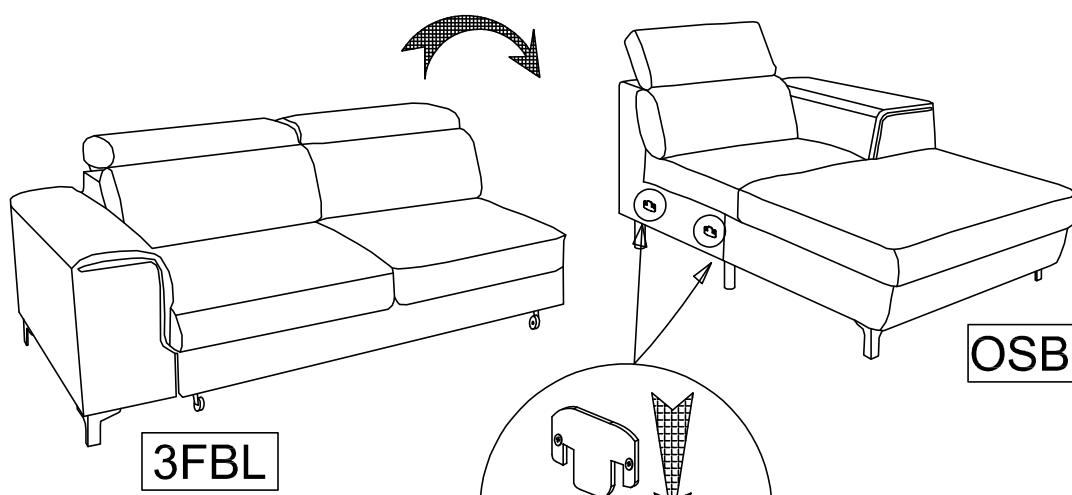
6

OSBP

M6.0x25mm	
 A	 C
12	3
 B	
3	

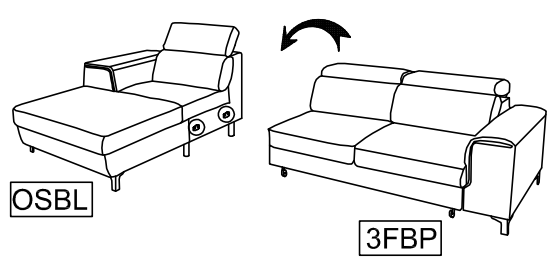


7



OSBP

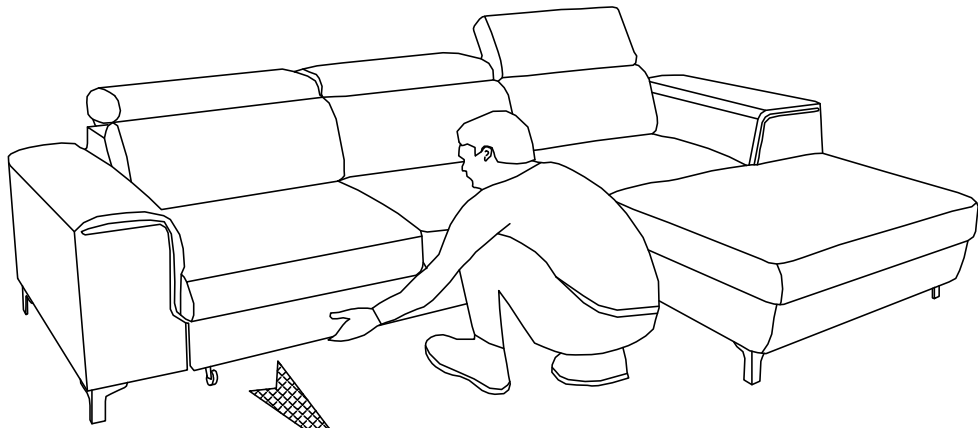
3FBP



OSBL

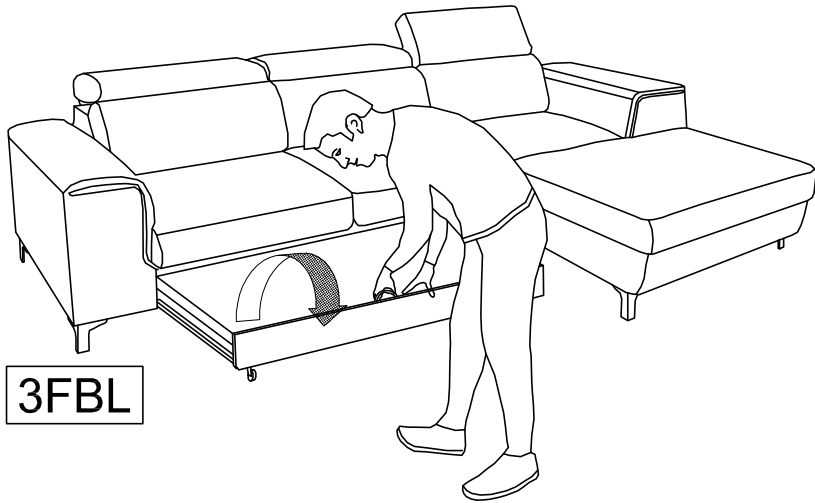
3FBP

8

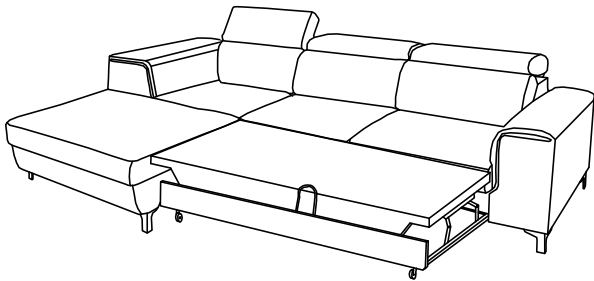


3FBL

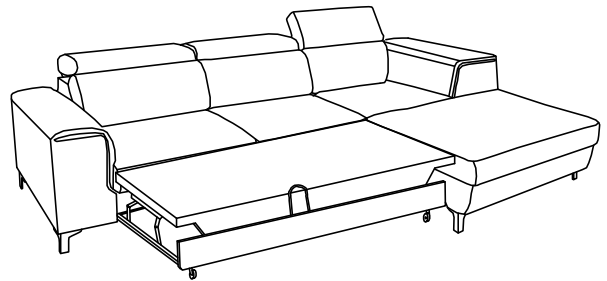
9



3FBL

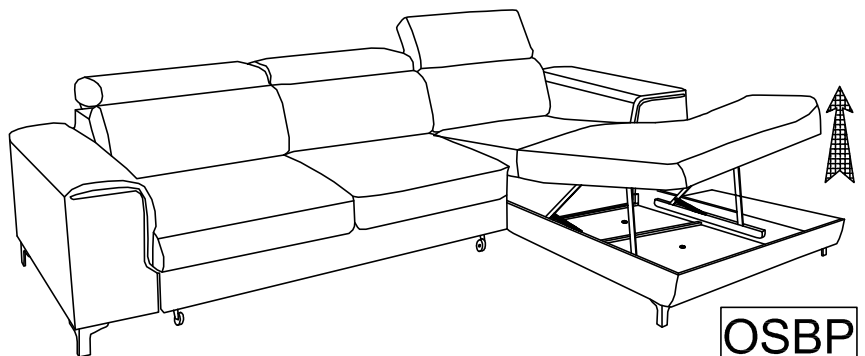


3FBP

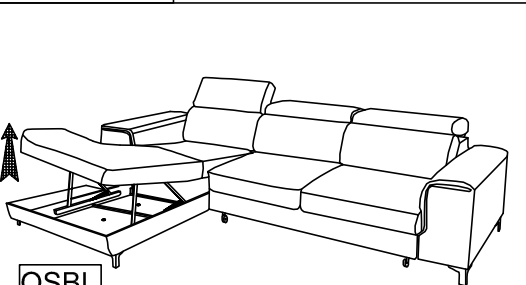
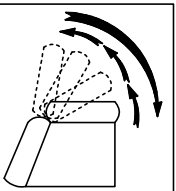


3FBL

10



OSBP



OSBL