

AUTOMOTIVE TOOLS / QUALITY MADE BY GEDORE

EN | 10.1

SPECIALTY TOOLS CATALOGUE



GEDORE Automotive GmbH

GEDORE Automotive GmbH,
part of the **GEDORE** Group

We are a medium-sized, internationally operating company, based in Donaueschingen/Germany, and specialise in the development and manufacture of innovative, high-quality specialist tools for the Automotive Industry and Aftermarket.

The **GEDORE Automotive GmbH** was founded under the name **KLANN** Spezial-Werkzeugbau GmbH in Donaueschingen in 1978.

We have been part of the **GEDORE** Group since 2002. Since 1 January 2016, in the course of the brand integration into the **GEDORE** Group, **KLANN** Spezial-Werkzeugbau GmbH has become **GEDORE Automotive GmbH**.

With around 100 patents and utility models at home and abroad, **GEDORE Automotive GmbH** is one of the world's leading manufacturers of specialist automotive tools.

No matter whether it is about vehicle assembly, maintenance or repairs... specialist tools have become indispensable in today's assembly lines and workshops!

When it comes to facilitating and optimising professional vehicle repairs, **GEDORE Automotive's** specialist tools are the tools of choice – worldwide. Our primary objective is to provide solutions that make repairs safer, easier and also faster, and as a result, cheaper. To achieve this goal, we continuously design and develop innovative specialist tools for all types of vehicles in our fully equipped experimental workshop.

We are well aware that an immediate response to market requirements and customer needs is of vital importance. With this in mind, we design and manufacture our tools with state-of-the-art technology and offer practical training courses showing the correct use of our tools in-situ on the vehicle in our Training Centre.

Good vocational education and training provide the key to a successful career! For more than 20 years, we have been training young people at our location in Donaueschingen – thus providing them with a solid foundation for a successful start into their professional life.

At GEDORE Automotive GmbH, we are committed to manufacturing specialist tools for life.



Chapter Overview

1. Tools for Springs and Shock Absorbers

Page 3 - 24



2. Axle Repair Tools

2.1 - Steering and Steering GeometryPage 25 - 30

2.2 - Support Joints, Bearings and BushingsPage 32 - 43

2.3 - Wheel Bearings, Wheel Hubs and Drive ShaftsPage 44 - 64



3. Tools for Brake Service/Repairs

Page 65 - 70



4. Tools for Engine Maintenance/Repairs

4.1 - Cylinder Head / Engine BlockPage 71 - 74

4.2 - Cooling SystemPage 75

4.3 - Fuel SystemPage 76 - 80

4.4 - Injection SystemPage 80 - 92

4.5 - Glow Plug / Spark PlugPage 92 - 100

4.6 - Valve TrainPage 101 - 125

4.7 - Ancillary ComponentsPage 126 - 128

4.8 - Oil SystemPage 129 - 131

4.9 - Exhaust SystemPage 132 - 133



5. Tools for Clutch and Gearbox Repairs

Page 135 - 146



6. Tools for Vehicle Body and Interior Fittings

Page 147 - 154



7. Drives and Accessories

Page 155 - 173





MODULO Workshop Trolley/Workbench



KL-4999-120 A MODULO Workshop Trolley

MODULO Workshop Trolley/Workbench, 4 Drawers

The sturdy MODULO **KL-4999-120 A** workshop trolley/workbench (GEDORE 1507 XL) features a large, solid (30mm thick) beech multiplex worktop and four full-width drawers. Designed as a modular concept, it offers various options for different applications.

For example, combined with the **KL-5501 B** stationary spring compressor and the wheel bearing/silentbloc tools/modules of our **KL-0039-Series**, it will provide you with a professional and mobile workplace for proper and cost-effective chassis and axle repairs/maintenance work in situ on or next to the vehicle.

KL-4999-121 A MODULO Workshop Trolley

MODULO Workshop Trolley/Workbench, 5 Drawers

The sturdy MODULO **KL-4999-121 A** workshop trolley/workbench (GEDORE 1507 XL) features a large, solid (30mm thick) beech multiplex worktop and five full-width drawers. Designed as a modular concept, it offers various options for different applications.

For example, equipped with our universal glow plug tool set, injector nozzle puller set, counter-hold tool kit and drive tool kit, it will provide you with a highly functional and mobile workplace for professional and cost-effective maintenance work and repairs to internal combustion engines in situ on the vehicle.





1. Springs and Shock Absorbers





KL-0029-100 EB (Code 3294668) (Patented) Coil Spring Pre-Compressor, in a Foam Insert

The base coil spring pre-compressor allows you to remove and install MacPherson struts in a particularly time-saving manner. For this, it is used **in conjunction** with the corresponding vehicle-specific upgrade kit (cf. accessory).

A decisive advantage of this pre-compressor is the fact that by pre-compressing the MacPherson strut in situ on the vehicle, the strut can be removed without the need for releasing the control arm/drive shaft, upper ball joint and track rod joint.

As a result, wheel alignments that might be required by the vehicle manufacturer are no longer necessary.

The well-thought-out design of the tool **in conjunction** with the vehicle-specific upgrade kits (available separately) allow for a wide range of applications - irrespective of the shape of the springs.

Substantial time savings of up to 25%, among other benefits, make this spring pre-compressor a rewarding investment for many years to come.

Required Accessory: Vehicle-specific upgrade kits **KL-0029-1..**

Recommended Accessory:

KL-0104-21-1 B Spreader Tool (adjustable), with Wedge No.1 + 2, **KL-0104-21..** Accessories (cf. scope of delivery of **KL-0104-21 KB**)

Tool Storage System: **KL-0029-2090** - Plastic Storage Case

Advantages:

- Substantial time and cost savings.
- Eliminates the need for releasing the control arm.
- Eliminates the need for releasing the drive shaft.
- Eliminates the need for releasing the track rod end or upper ball joint.
- Eliminates the need for wheel alignment.
- Design allows for use on coil springs regardless of their shape and pitch.
- All components are available individually as spare parts.

Note / Accessory:

The coil spring pre-compressor must never be used for the disassembling of suspension struts. To remove stuck/tight-fitting shock absorbers/strut units from stub axle clamping bores, it is essential to enlarge the clamping bore with the aid of the **KL-0104-21-1 B** spreader tool.

KL-0029-100 A Coil Spring Pre-Compressor

Like the **KL-0029-100 EB**, however, supplied without Foam Insert.

Scope of Delivery: **KL-0029-100 EB Coil Spring Pre-Compressor, in a Foam Insert**

Part No.	Description	Qty
KL-0029-100 A	Coil Spring Pre-Compressor (Basic Unit)	1
KL-0029-1090-1 A	Foam Insert	1

Technical Data:

Maximum load capacity:	17,500N
Maximum span*:	345mm
Compression travel*:	120mm
Clamping nut drive:	27mm

* = without support plate





KL-0029-110 A (Code 3127850)

Upgrade Kit, Size 1, Size 2, Size 3, VW-Audi

Designed for the VW-Audi, SEAT, ŠKODA vehicles built on the MQB, PQ25, PQ35 and NSF platforms such as: VW Caddy III (2K), EOS (1F7), Golf V (1K, 6R), Golf VI (5K), Golf VII (5G), Golf Plus (5M), Jetta III (1K2), Polo (6R), Passat (3C, 363, 365), Scirocco (137), Touran (1T), Tiguan (5N), up! (12); Audi A1 (8X), A3 (8P, 8V), TT (8J), Q3 (8U); Seat Altea (5P1), Altea XL (5P1), Ibiza V (6J5), Ibiza V ST (6J8), Leon II (1P1), Toledo III (5P2), Mii (KF1); Škoda Octavia (1Z3), Octavia (1Z5), Superb (3T4), Rapid, Citigo etc.

The KL-0029-110 A kit upgrades the KL-0029-100 / -100 A base coil spring pre-compressor by making it also suitable for use on the above-mentioned vehicles.

Required Accessory:

KL-0029-100 / -100 A Coil Spring Pre-Compressor

Scope of Delivery:

KL-0029-110 A Upgrade Kit, Size 1, Size 2, Size 3, VW-Audi

Part No.	Description	Qty
KL-0029-111	Support Plate with Bolts, Size 1	1
KL-0029-120 A	Upgrade Kit, Size 2, VW-Audi	1
KL-0029-130	Upgrade Kit, Size 3, VW-Audi	1

2 pcs.



KL-0029-120 A (Code 3091619)

Upgrade Kit, Size 2, VW-Audi

Designed for the VW-Audi, Seat, Škoda vehicles built on the PQ35 platform such as: VW Caddy III (2K), EOS (1F7), Golf V (1K, 6R), Golf VI (5K), Golf Plus (5M), Jetta III (1K2), Passat (3C, 363, 365), Scirocco (137), Touran (1T), Tiguan (5N); Audi A3 (8P), TT (8J), Q3 (8U); Seat Altea (5P1), Altea XL (5P1), Leon II (1P1), Toledo III (5P2); Škoda Octavia (1Z3), Octavia (1Z5), Superb (3T4) etc.

The KL-0029-120 A kit upgrades the KL-0029-100 / - 100 A base coil spring pre-compressor by making it also suitable for use on the above mentioned vehicles.

Required Accessory:

KL-0029-100 / -100 A Coil Spring Pre-Compressor

Scope of Delivery:

KL-0029-120 A Upgrade Kit, Size 2, VW-Audi

Part No.	Description	Qty
KL-0029-1209 A	Support Ring, open, Size 2	1
KL-0029-121	Support Plate with Bolts, Size 2	1

2 pcs.



KL-0029-122 (Code 3256162)

Upgrade Kit for KL-0029-120 A, VW-Audi

Designed for the VW-Audi, SEAT, ŠKODA vehicles built on the PQ35 platform and equipped with aftermarket strut assemblies from KYB (KAYABA) (e.g. KYB 334834).

For example: VW Golf V (1K), Golf VI (5K, AJ), Golf Plus (5M), Jetta V (1K), Jetta VI (5K, AJ), Beetle (5C), Caddy III (2K, 2C); Audi A3 (8P); Seat Altea (5P), Altea XL (5P), Leon (1P), Toledo III (5P); Skoda Octavia II (1Z), Yeti (5L).

With the addition - KL-0029-122 the spring compressor base unit - KL-0029-100 A is also suitable for the above-mentioned vehicles with aftermarket suspension struts from KYB (KAYABA).

Necessary Accessories:

KL-0029-100 / -100 A Coil Spring Pre-Compressor

KL-0029-120 A Upgrade Kit, Size 2

Scope of Delivery:

KL-0029-122 Upgrade Kit for KL-0029-120 A, VW-Audi

Part No.	Description	Qty
KL-0029-1221	Shim for Support Plate, Size 2	1
KL-0029-1222	Bolt with Pin, 20mm	1
KL-1615-1128	Cheese Head Screw, M8x16mm	2

4 pcs.





4 pcs.



KL-0029-130 A (Code 3294587) Upgrade Kit, Size 3, VW-Audi

Designed for the VW-Audi, Seat, Škoda vehicles built on the PQ25 as well as NSF platforms such as: VW Polo (6R), up! (12); Audi A1 (8X); Seat Ibiza V (6J5), Ibiza V ST (6J8), Mii (KF1); Škoda Rapid, Citigo etc.

The Size 3 Kit upgrades the **KL-0029-100 / -100 A** coil spring pre-compressor by making it also suitable for use on the above mentioned vehicles. The included shock absorber holding-down clamp ensures that the piston rod is securely held in the upper spring plate and pressed down while the suspension strut is being pre-compressed.

Required Accessory: KL-0029-100 / -100 A Coil Spring Pre-Compressor

Scope of Delivery: KL-0029-130 A Upgrade Kit, Size 3, VW-Audi

Part No.	Description	Qty
KL-0029-131	Support Plate with Bolts, Size 3	1
KL-0029-1309	Two-Part Support Ring, Size 3	1
KL-0029-1303	Shock Absorber Holding-Down Clamp	1



4 pcs.



KL-0029-150 (Code 3077233) Upgrade Kit, Size 5, Ford

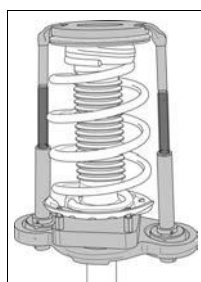
Suitable for use on Ford front axle suspension struts; as found in Ford Mondeo IV (BA7), S-Max (WA6) and Galaxy (WA6).

The **KL-0029-150** kit is designed to upgrade the **KL-0029-100 / -100 A** coil spring pre-compressor base tool by making these also suitable for use on the above-mentioned vehicles. The extension sleeves that come with the kit allow the **KL-0029-100** base coil spring pre-compressor to be updated to the current **KL-0029-100 A** version.

Required Accessory: KL-0029-100 / -100 A Coil Spring Pre-Compressor

Scope of Delivery: KL-0029-150 Upgrade Kit, Size 5, Ford

Part No.	Description	Qty
KL-0029-1501	Support Ring, Size 5	1
KL-0029-151	Support Plate with Bolts, Size 5	1
KL-0029-1002-1	Extension Sleeve	2



2 pcs.



KL-0029-160 A (Code 3275221) Upgrade Kit, Size 6 (BMW)

Suitable for use on BMW front axle suspension struts as found in BMW 3 Series (E46), (E90/E91); 5 Series (E39), (E60/E61), 1 Series (E81/E87), X1 (E84).

The **KL-0029-160 A** kit is designed to upgrade the **KL-0029-100 / -100 A** base coil spring pre-compressor by making it also suitable for use on the above-mentioned vehicles.

Required Accessory: KL-0029-100 / -100 A Coil Spring Pre-Compressor

Scope of Delivery: KL-0029-160 A Upgrade Kit, Size 6, BMW

Part No.	Description	Qty
KL-0029-161	Support Plate with Bolt, Size 6	1
KL-0029-1602 A	Support Ring, Size 6	1



2 pcs.



KL-0029-170 (Code 2952815) Upgrade Kit, Size 7, VW T5

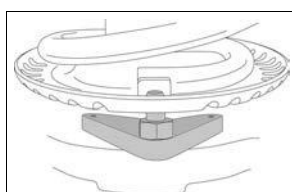
Suitable for use on VW front axle suspension struts as found in VW T5 (7J, 7H, 7E, 7F).

The **KL-0029-170** kit is designed to upgrade the **KL-0029-100 / -100 A** base coil spring pre-compressor by making it also suitable for use on the above-mentioned vehicles.

Required Accessory: KL-0029-100 / -100 A Coil Spring Pre-Compressor

Scope of Delivery: KL-0029-170 Upgrade Kit, Size 7, VW T5

Part No.	Description	Qty
KL-0029-171	Support Plate with Bolt, Size 7	1
KL-0029-1702	Support Ring, Size 7	1



KL-0029-1303 (Code 2944057) Shock Absorber Holding-Down Clamp

Suitable for use on Audi A1 (8X), Seat Ibiza V (6J5), Seat Ibiza V ST (6J8), Škoda Rapid, VW Polo V (6R) etc.

Intended to ease the removal of suspension struts. The KL-0029-1303 shock absorber holding-down clamp is designed to be used in conjunction with the KL-0029-100 A base coil spring pre-compressor and the KL-0029-130 upgrade kit.

It ensures that the piston rod is securely held in the upper spring plate and pressed down while the suspension strut is being pre-compressed.



KL-0104-21 KB (Code 3269396) (Patented) Spreader Tool Kit (adjustable), with Wedge No.1 + 2 + 4 + 5

Applicable to strut clamping bores as found in: Audi A3 (8P, 8V), Audi TT (8S); VW Arteon (3H), Golf IV (1J), Golf V (1K), Golf VI (1K), Golf VII (AU), Passat (3C, 362, 365), T5 (7H, 7J), T6 (7H, 7J); BMW 2 Series (F45); Citroën; Fiat Panda (312); Ford Tourneo Connect, Galaxy (CK); Kia Sportage; Mercedes GLA (X156), Vito, V-Class; Nissan Qashqai (J10, 2006-2013); Seat; Škoda Kodiq; Renault Clio (IV), Kadjar (2015-2018), Megane (IV); Peugeot; Jeep; Volvo V70; Japanese vehicles etc. Also suitable for spreading the slot (clamp) in the front wheel bearing housing (steering knuckle) to allow for proper removal of the lower ball joint from the following vehicles: Audi A4 (8K), A5 (8T, 8F), A6 (4G), A7 (4G), A8 (4H), Q5 (8R) etc.

Alternative tools: VAG 3424; VAG T20040; BMW 312230

The spreader tool kit is designed to professionally expand the strut clamping bore in steering knuckles. It can also be used to spread the slot (clamp) on the front wheel bearing housing (steering knuckle) to allow for the damage-free removal of the lower ball joint. This procedure is an absolute must to ensure the proper removal of tight-fitting or stuck spring/shock absorber units and lower suspension ball joints respectively. Special features of the tool are the floating bolts that prevent the tool from jamming and the special spreader wedge which is provided with a limit stop to avoid excessive knuckle widening. Prevents expensive damage to the cast iron or aluminium steering knuckle or other chassis components that may be caused by unprofessional removal/installation attempts. Thanks to its variably adjustable spreader tip, this tool is also ideal for use on vehicles with steering knuckles having a non-centralised slot! An indispensable tool when changing springs, shock absorber units as well as suspension ball joints.

Technical Data:

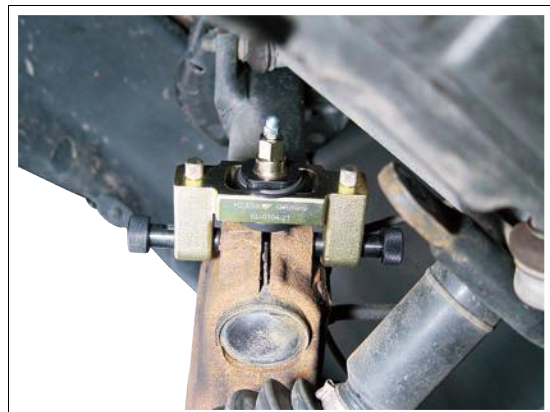
Spreader wedge No.1:	a: 5.5mm; b: 12mm
Spreader wedge No.2:	a: 2.0mm; b: 8.0mm
Spreader wedge No.4:	a: 5.5mm; b: 9.5mm
Spreader wedge No.5:	a: 12.5mm; b: 17mm

Scope of Delivery: KL-0104-21 KB Spreader Tool Kit (adjustable), with Wedge

Part No.	Description	Qty
KL-0104-21-1 B	Spreader Tool (adjustable), with Wedge No.1 + 2	1
KL-0104-2124	Pressure Screw, with Wedge No.4	1
KL-0104-2125	Pressure Screw, with Wedge No.5	1
KL-0104-2141	Bolt with M10 Thread	1
KL-0104-2190	Plastic Storage Case with Insert	1

Scope of Delivery: KL-0104-21-1 B Spreader Tool with Wedge No.1 and No.2

Part No.	Description	Qty
KL-0104-21-2 B	Spreader Tool (adjustable) with Wedge No.1	1
KL-0104-2122	Pressure Screw with Wedge No.2	1



KL-0104-214 (Code 3235580) Spreader Tool Upgrade Kit, Lower Ball Joint, Audi

Suitable for use on the lower ball joint clamp (slot) in the front wheel bearing housing (steering knuckle). Applications: Audi A4 (8K), A5 (8T, 8F), A6 (4G), A7 (4G), A8 (4H), Q5 (8R) etc.

The kit is intended to complement the earlier spreader tool kits KL-0104-21-1 A and KL-0104-21 A. Used to professionally spread the clamp (slot) in the front wheel bearing housing (steering knuckle) accommodating the lower ball joint.





18 pcs.



KL-0056-11 E

(Code 3401472)

Shock Absorber Piston Rod Tool Set, in a Foam Insert

Fits universally for MacPherson struts on passenger cars.

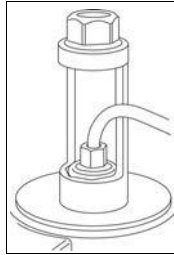
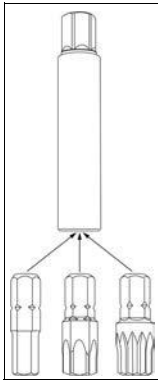
For quick loosening and tightening of the piston rod nut on MacPherson struts. Required, for example, when replacing the shock absorber or the suspension spring. The special holders and the large number of interchangeable screwdriver bits and sockets also allow the shock absorber piston rod to be properly held in place through the open sockets. The ring ratchet wrench included in the kit facilitates and speeds up this work.

Recommended Accessories:

1993 U-20 SK Reversible ratchet

Technical Data:

Sockets:	Size (waf) 16/17/18/19/21mm
Screwdriver bits:	Size (waf) 5/6/7 mm/T50/XZN12
Pluggable insert, double flat:	Size (waf) 6/7/8mm
Socket drive:	Size (waf) 19mm
Holder drive:	Size (waf) 10mm
Holder for screwdriver bits:	5/16"
Holder for pluggable inserts:	1/4"



Scope of Delivery:

KL-0056-11 E Shock absorber piston rod tool set, in foam insert

Part No.	Description	Qty
KL-0056-1116	Socket, open, size (waf) 16mm	1
KL-0056-1117	Socket, open, size (waf) 17mm	1
KL-0056-1118	Socket, open, size (waf) 18mm	1
KL-0056-1119	Socket, open, size (waf) 19mm	1
KL-0056-1121	Socket, open, size (waf) 21mm	1
KL-0056-1131	Holder for screwdriver bits 5/16"	1
KL-0056-1132	Holder for sockets 1/4"	1
KL-0056-1141	Screwdriver bit, size (waf) 5mm	1
KL-0056-1142	Screwdriver bit, size (waf) 6mm	1
KL-0056-1143	Screwdriver bit, size (waf) 7mm	1
KL-0056-1144	Screwdriver bit T50	1
KL-0056-1145	Screwdriver bit XZN12	1
KL-0056-1151	Socket, double flat, 6mm	1
KL-0056-1152	Socket, double flat, 7mm	1
KL-0056-1153	Socket, double flat, 8mm	1
7 R 19	Open-ended spanner with ring ratchet, 19mm	1
7 XL 10	Combination spanner, 10mm	1
KL-0056-1190-1	Foam insert	1

KIS

KLANN Information System

Now you have convenient access to our „KIS“ also with your mobile phone. So you can convert OE tool numbers to our article numbers at any time and wherever you are.



KIS goes mobile ...



KL-0050-60

(Code 3051412)

Special Socket (13mm waf), Strut Mount, VW

Universally applicable to VW-Audi, Seat and Skoda vehicles equipped with three-bolt strut mounts with 13mm hexagon or octagon fixing nuts.

An indispensable tool designed to counter-hold the nut on the strut mount in a professional way when undoing the bolt. The special socket prevents the press-fitted nut from breaking away when unscrewing the bolt from the strut mount, thus, avoiding the labour-intensive process of drilling the strut mount bolt out of its bore. The tool can quickly be adapted to suit hexagon and octagon nuts - simply by reversing the socket.

The special design of the socket and the use of the extension provided allow even nuts that are difficult to access to be counter-held properly.

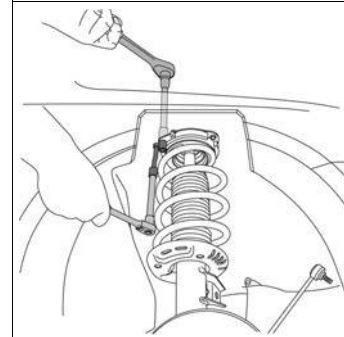
Recommended Accessory:

3093 U-20 Reversible Ratchet, 3/8", **3090-5** Extension 125mm

Technical Data:

Drive:	3/8"
Size (waf):	13mm
Profile:	hexagon and octagon

2 pcs.



KL-0050-61

(Code 3124479)

Special Socket (14mm waf), Strut Mount, VW

Universally applicable to VW-Audi, Seat and Skoda vehicles equipped with three-bolt strut mounts with 14mm hexagon fixing nuts.

An indispensable tool designed to counter-hold the nuts on the strut mount in a professional way when undoing the bolt. The special socket prevents the press-fitted nut from breaking away when unscrewing the bolt from the strut mount, thus, avoiding the labour-intensive process of drilling the strut mount bolt out of its bore. The special design of the socket and the use of the extension provided allow even nuts that are difficult to access to be counter-held properly.

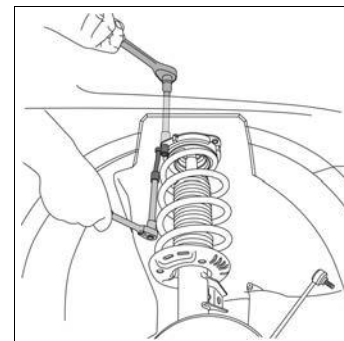
Recommended Accessory:

3093 U-20 Reversible Ratchet, 3/8", **3090-5** Extension 125mm

Technical Data:

Drive:	3/8"
Size (waf):	14mm
Profile:	Bi-hex

2 pcs.



KL-0145-120 A

(Code 3041247)

Supporting Device for Control Arm

Universal fit for wheel hubs with a bolt circle diameter of 5x130mm, 5x120mm, 5x112mm, 5x100mm, and many more.

The device is used in conjunction with a transmission jack for supporting and securing control arms.

The support takes place via the wheel hub. Thanks to its special design, the device can be fixed at camber angle position, thus, ensuring the correct raising and lowering of control arms/axles to specified positions.

This tool will greatly simplify the removal/installation of suspension struts.

Recommended Accessory:

KL-0040-2571 Adaptor Sleeve, Ø 25mm

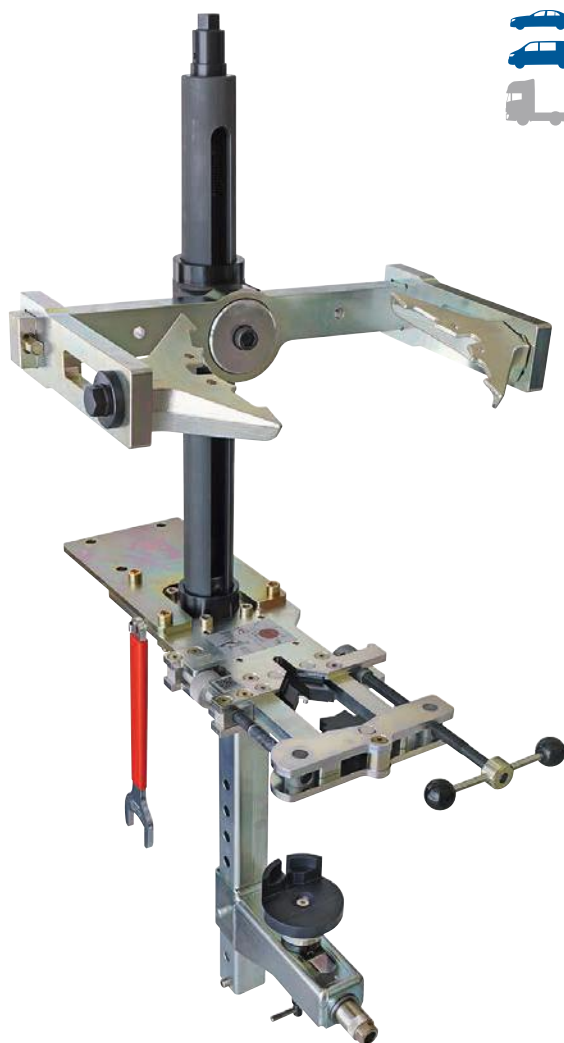
Technical Data:

Retaining Ø:	30mm
Overall height:	205mm
Inclination angle:	+/- 45°
Max. load capacity:	300kg





KL-5501 B (Code 3230503) (Patented) Spring Compressor, Stationary



Universally applicable to virtually all MacPherson suspension strut and shock absorber designs with coil springs, such as right-hand-coiled springs, left-hand-coiled springs, eccentric springs/spring plates, conical springs, springs with a small number of windings, long-pitch springs or variable-pitch springs. Also suitable for use on shock absorber designs with rebound buffer springs, shock absorbers on which the hardness is electronically adjustable as well as magnetorheological shock absorbers.

Alternative tool: VAS 6908/1

The stationary spring compressor is the ultimate solution when it comes to compressing the MacPherson-type struts/shock absorbers that are commonly used in today's vehicle suspension systems.

Special features, such as the variable spring plate-clamping device, the adjustable support column assembly, and the strut-holding device with one-hand operation, make the **KL-5501 B** a very versatile spring compressor that satisfies the highest Health and Safety Standards.

Thanks to a special technique, the spring is compressed via the upper spring plate against the lower spring plate, hence spring shape and spring pitch are no longer an issue.

Comes with a mounting plate that allows the spring compressor to be easily fixed to an appropriate workshop trolley or workbench.

Recommended Accessory:

KL-5501-40 Hand crank, **1993 U-20** Reversible Ratchet 1/2", **KL-0056-11 E** Shock Absorber Piston Rod Tool Set,

Advantages:

Universal application!

Thanks to the wide range of adjustment possibilities, the spring compressor is applicable to virtually any MacPherson suspension strut and shock absorber design commonly used in today's vehicle suspension systems.

Maximum safety!

The sophisticated and solid overall design of the stationary spring compressor as well as its simple and user-friendly operation provide a maximum level of safety.

Applicable to many different spring designs!

With this spring compressor, the design of the spring - no matter whether it is about right-hand-coiled springs, left-hand-coiled springs, conical springs, eccentric springs, springs with a small number of windings, long-pitch springs or variable-pitch springs - is no longer an issue. This is thanks to the special compression technique which allows the spring to be compressed via the upper spring plate against the lower spring plate.

Applicable to shock absorbers with rebound buffer spring!

Thanks to the large opening width of 570mm and a compression force of up to max. 15 000N, even shock absorbers with rebound buffer springs that require a high pre-load on the spring are not an issue.

No damage to the strut/shock tube!

The clamping bars of the strut-holding device can properly and quickly be aligned and adjusted to the respective strut tube diameter by means of a knurled nut. Plastic clamping jaws prevent damage to the strut tube.

Allows for one-person operation!

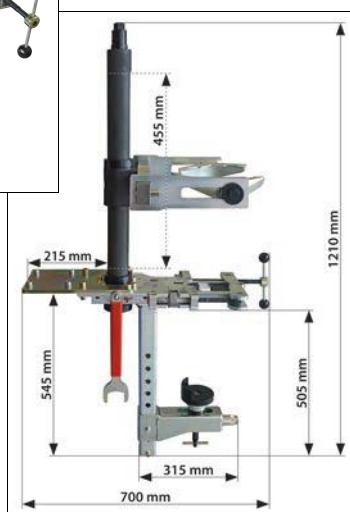
Thanks to the strut-holding device with quick-action clamping and one-hand-operation mechanism, the entire process can be carried out by just one person.

Mobile use - in conjunction with a workshop trolley/workbench!

The stationary spring compressor comes with a mounting plate that enables it to be fixed to an appropriate workshop trolley/workbench. To attach the spring compressor to the **MODULO KL-4999-120 A**, **KL-4999-121 A** workshop trolley/workbench or to a vertical wall, the special **MODULO** mounting kit **KL-5501-211** (available separately as accessory) is needed. This allows the user to carry out repairs more quickly, more efficiently and more flexibly, also next to the vehicle.

Technical Data:

Drive:	24mm waf
Breaking point:	60,000N
Max. load capacity:	15,000N
Weight without trolley:	46kg
Max. span (opening width):	570mm
For spring plate Ø:	125 - 220mm



KL-5501-211 (Code 3259439) MODULO and Wall Bracket, short

Suitable for KL-5501 B (NOT for KL-5501).

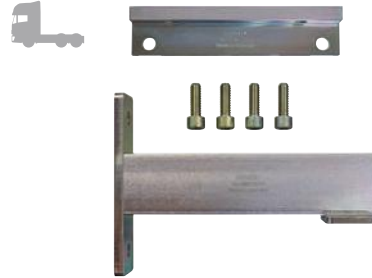
The mounting kit allows the **KL-5501 B** spring compressor to be safely and securely fixed to the MODULO workshop trolley/workbench **KL-4999-120 A** or **KL-4999-121 A** (GEDORE 1507 XL) as well as to an appropriate vertical wall.

Also suitable for space-saving mounting on a vertical wall. However, due to the proximity to the wall, the use of a hand ratchet is only possible up to a return angle of approx. 180°. Using the hand crank - **KL-5501-40** is excluded. As an alternative, use the long wall bracket - **KL-5501-212**.

Technical Data:

Distance to the wall:	105mm (middle drive)
-----------------------	----------------------

6 pcs.



KL-5501-212 (Code 3402169) Wall Bracket, long

Suitable for KL-5501 B (NOT for KL-5501).

The long wall bracket enables stable mounting of the stationary spring compressor - **KL-5501 B** on a vertical wall. Here, the using the hand ratchet as well as the hand crank - **KL-5501-40** is possible without problems.

Recommended Accessories:

KL-5501-40 Hand crank

Technical Data:

Distance to the wall:	245mm (middle drive)
-----------------------	----------------------

4 pcs.



KL-5501-40 (Code 3402444) Hand Crank, size 24 mm

The hand crank enables an amazingly simple and fast drive of the stationary spring compressor - **KL-5501** or **KL-5501 B** when tensioning and releasing a McPherson strut. For this purpose, the crank handle is simply attached to the spring compressor via the 24 mm drive hexagon.

Technical Data:

Drive:	Hexagonal / 24mm
Length:	195mm



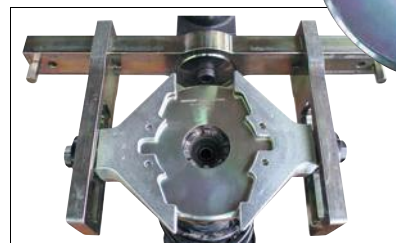
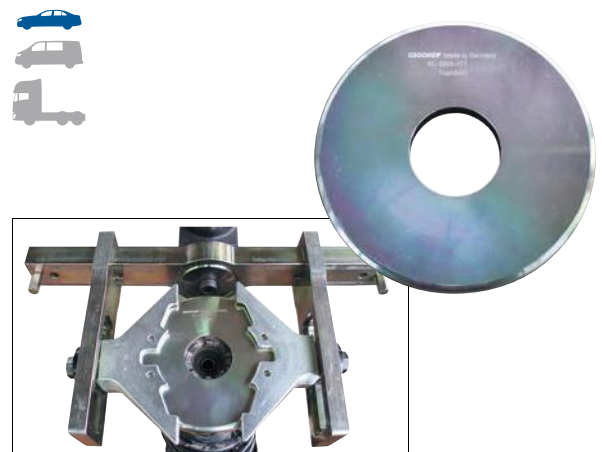
KL-5501-171 (Code 3002969) Adaptor Ring, Nissan, Renault, Fiat

Suitable for use on front suspension strut assemblies as fitted to Nissan Qashqai (J11), Renault Kadjar and Fiat Panda (312, 319).

The **KL-5501-171** adaptor ring enables the jaws of the **KL-5501 / KL-5501 B** spring compressor to be safely positioned on the spring plate of the front suspension strut. For this, place adaptor ring on upper spring plate. Observe mark **Top/oben** on adaptor ring!

Technical Data:

External Ø:	170mm
-------------	-------





KL-5501-1435 A

[Code 3406199]

Adapter for Shock Absorber with Fork Mount

Fits struts with fork mount. For example, installed on Mercedes M-Class (W164, W166), R-Class (W251); Audi Q7 (4LB); VW Touareg (7L, 7P); Porsche Cayenne (9PA, 92A), Panamera (970); etc.

The adapter **KL-5501-1435 A** enables the safe reception of suspension struts with fork mounting on the lower support on the stationary spring compressor **KL-5501 / KL-5501 B**.

The adapter is mounted on the spring-compressing device instead of the plastic support **KL-5501-1431**.

Technical Data:

Adaptor Ø:	57mm
------------	------



3 pcs.



KL-5501-193

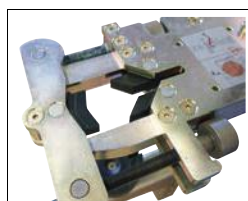
[Code 3244636]

Upgrade Kit, Opel/Vauxhall Insignia B

Application: Opel/Vauxhall Insignia B front axle.

The upgrade kit is required when changing strut springs or shock absorbers on Opel/Vauxhall Insignia B.

Designed to be used in conjunction with the stationary spring compressor **KL-5501**.



10 pcs.



KL-5501-191

[Code 3244032]

Conversion Kit, Strut-Holding Clamp, long

The **KL-5501-191** conversion kit upgrades the stationary spring compressor **KL-5501** by making it also suitable for use on complex suspension strut systems where the damper tube has a very small contact surface.

Note:

By using **KL-5501-191** and **KL-5501-192**, **KL-5501** can be converted to **KL-5501 B**.



3 pcs.



KL-5501-192

[Code 3244059]

Conversion Kit for Supporting Column Assembly

The conversion kit **KL-5501-192** upgrades the **KL-5501** stationary spring compressor by extending the adjustment range of the supporting column assembly.

Note:

By using **KL-5501-191** and **KL-5501-192**, **KL-5501** can be converted to **KL-5501 B**.



KL-9002 SP E (Code 2909499)

Spring Compressor, in a Foam Insert

Universally suitable for vehicles equipped with MacPherson Suspension/Damper Struts. Ideal for All-Wheel-Drive vehicles, Transporters and Vans such as Citroën Jumper; Fiat Ducato; Mercedes Vito, V-Class, M-Class, W210 4Matic; Peugeot Boxer, Break; Renault Master etc.

Alternative tools: W 203 589 01 31 00, 31 3 340, VAS 6046

The use of special jaws will also enable coil springs mounted to wishbone suspensions to be removed and installed if space conditions allow.

Comes with pairs of jaws with protective inserts in size 1 and 2 designed for spring diameters of from 85 (inside) - 170 (outside) mm.

Additional jaws for spring Ø of 60 (inside) - 205 (outside) mm are available as accessories.accessories.

Max. Load Capacity 27,500N *

* at the specified 4-times Safety Factor, the maximum load capacity of the spring compressor is 27,500 N!

The unique universal spring compressor

- which, due to a **special latching system**, allows the span (distance between jaws) to be adjusted from a minimum distance of **40mm** to a maximum distance of **361mm**. This is an important feature when it comes to compressing very short springs (2-3 coils) but also very long springs so as to allow all these to be fully decompressed and/or replaced. (e.g.on Audi, BMW, Fiat, Ford, Lancia, Mazda, Mercedes, Renault etc.);
- which features a patented **Bayonet Interlock System with an automatic self-locking mechanism** designed to safely fix the forged jaws to the compressor body (no tools, bolts or locking rings required);
- whose spindle drive remains closed if the safety pin shears off. Thanks to the auxiliary drive, the compressed spring can then be decompressed to enable a new safety pin to be installed;
- which is equipped with an **automatic freewheel** designed to prevent the spindle from overload during the decompression process once the maximum end of travel has been reached - thus eliminating the risk of damage to the spring compressor;
- which enables the **plastic protective inserts** protecting the coating of the spring to be screw-connected to the jaws. This is very important to prevent spring failure/ breakage caused by notches and corrosion;
- which is suitable for almost any MacPherson suspension/damper strut systems, as well as for many other wishbone suspensions - thanks to a wide range of jaws available.

Thanks to the interaction of special high-precision components and the use of wear-resistant nitrided steel, the compressor body not only is smooth-running but also highly resistant to wear and tear.

To compress a spring having a coil-bound force of approx. 18,000N (for example of a Mercedes M-Class) a torque of only 35Nm is required.

Recommended Accessory: KL-4999-1395 Plastic Storage Case

Technical Data:

Base body		
L min.	Minimum overall length	475mm
L max.	Maximum overall length	715mm
A	Working Travel (piston stroke)	305mm
SPF	Spindle freewheel at	735mm
S min. I	Minimum span (I) (distance between jaws)	40mm
S min. II	Minimum span (II) (distance between jaws)	72mm
S max. I	Maximum span (I) (distance between jaws)	328mm
S max. II	Maximum span (II) (distance between jaws)	361mm
	Maximum load capacity (at 4-times safety factor)	27,500N
	Breaking point	110,000N
	Spindle drive	24mm waf
	Weight of compressor base body	6.9kg
	Weight of compressor base body with jaws size 1 and 2	13.4kg

Scope of Delivery: KL-9002 SP E Spring Compressor, in a Foam Insert

Part No.	Description	Qty
KL-9002-100	Compressor Base Body	1
KL-9001-11 SP	Pair of Jaws in size 1, with Protective Inserts	1
KL-9001-12 SP	Pair of Jaws in size 2, with Protective Inserts	1
KL-4999-1322	Foam Insert	1

KL-9002 Spring Compressor

Like the **KL-9002 SP**, however, supplied without plastic protective inserts

9 pcs.



Advantages:

- Jaw-mounting device with automatic self-locking mechanism.
- Adjustable jaw-opening device.
- Drive features an additional auxiliary drive.
- Automatic free-wheel of the spindle.
- Also suitable for use on conical springs.
- Comes with plastic protective inserts.

Note:

For the storage of the foam insert in the Modulo Workstation, the **KL-4999-1325** drawer insert adaptor will be needed.

Note:

Additional jaws for springs with a Ø of from 60 (inside) to 205 (outside) mm are available as accessories.



4 pcs.



KL-9001-10 SP

[Code 2480034]

Pair of Jaws with Protective Inserts, Size 0

Universal application. For example:

Front axle: Mazda 6 (GH); etc.

Rear axle: Audi A1 (8X); VW Passat (357), up!, Scirocco (137); Seat Ibiza (6J); Škoda Superb (3T); BMW 6 Series (E63), X3 (F25); Citroën C1 (PM/PN), C2 (JM); Fiat 500L (351), Panda (312); Ford Fiesta (VI), B-Max (JK); Hyundai i30 (GD); Mini Cabrio (R57); Mitsubishi Lancer (VIII); Peugeot 508 (8D); Renault Clio (IV); etc.

Pair of special jaws with closed attachment ring.

The anti-slip protective inserts prevent the spring from unwinding itself out of the spring compressor and also avoid damage to the sensitive coating of the spring.

Technical Data:

For spring Ø from:	60mm (inside)
For spring Ø up to:	120mm (outside)
Weight (Pair):	2.8kg

Necessary Accessories:

KL-9002-100 Compressor Base Body (included in **KL-9002 SP**)

Scope of Delivery:

KL-9001-10 SP Pair of Jaws with Protective Inserts, Size 0

Part No.	Description	Qty
KL-9001-10	Pair of Jaws, Size 0	1
KL-9001-20	Pair of Protective Inserts, Size 0	1



4 pcs.



KL-9001-11 SP

[Code 2480050]

Pair of Jaws with Protective Inserts, Size 1

Universal application. For example:

Front axle: Audi A1 (8X), A3 (8P), TT (8J), Q5 (8R); VW Golf (5G), Passat (357), up!, Scirocco (137), Arteon (3H), Sharan (7N), Touran (1T3); Seat Exeo (3R), Ibiza (6J); Škoda Superb (3T), Kodiaq (NS7); BMW 2 Series (F45), 5 Series (F10), X5 (E70); Mercedes B-Class (W245); Citroën C1 (PM/PN), C2 (JM); Fiat 500L (351), Bravo (198), Panda (169, 312); Ford Fiesta (VI), B-Max (JK); Mazda 2 (DE); Mini Cooper (R56); Opel Astra (J), Insignia (A), Mokka (J13); Peugeot 207 (WA/WC/WD), 208 (CA/CC); Renault Clio (IV), Twingo (II); Volvo V70 (135); etc.

Rear axle: BMW 5 Series (F10); Chrysler PT Cruiser; Mini Cooper (R56); Opel Astra (J), Mokka (J13); Peugeot 207 (WA/WC/WD); Renault Twingo (II); Volvo V70 (135); etc.

Alternative tool: W 163 589 00 63 00, W 168 589 02 63 00, W 210 589 10 63 00

Pair of special jaws with closed attachment ring.

The anti-slip protective inserts prevent the spring from unwinding itself out of the spring compressor and also avoid damage to the sensitive coating of the spring.

Technical Data:

For spring Ø from:	85mm (inside)
For spring Ø up to:	155mm (outside)
Weight (Pair):	3.5kg

Necessary Accessories:

KL-9002-100 Compressor Base Body (included in **KL-9002 SP**)

Scope of Delivery:

KL-9001-11 SP Pair of Jaws with Protective Inserts, Size 1

Part No.	Description	Qty
KL-9001-11	Pair of Jaws, Size 1	1
KL-9001-21	Pair of Protective Inserts, Size 1	1



4 pcs.



KL-9001-12 SP

[Code 2480069]

Pair of Jaws with Protective Inserts, Size 2

Universal application. For example:

Front axle: BMW 6 Series (E63); Mercedes Citan (W415); Citroën Xsara (N1/N2); Fiat 500 (312), Croma (194), Punto (199), Ducato (250); Ford Ka (II), Focus (III), Mondeo (V), Galaxy (III); Hyundai i30 (GD); Mazda 3 (BL); Mini Cabrio (R57); Peugeot 508 (8D); etc.

Rear axle: Mercedes Citan (W415); Fiat Punto (199); etc.

Pair of special jaws with closed attachment ring.

The anti-slip protective inserts prevent the spring from unwinding itself out of the spring compressor and also avoid damage to the sensitive coating of the spring.

Technical Data:

For spring Ø from:	105mm (inside)
For spring Ø up to:	170mm (outside)
Weight (Pair):	3.9kg

Necessary accessories:

KL-9002-100 Compressor Base Body (included in **KL-9002 SP**)

Scope of Delivery:

KL-9001-12 SP Pair of Jaws with Protective Inserts, Size 2

Part No.	Description	Qty
KL-9001-12	Pair of Jaws, Size 2	1
KL-9001-22	Pair of Protective Inserts, Size 2	1



KL-9001-13 SP [Code 2480085]

Pair of Jaws with Protective Inserts, Size 3

Universal application. For example: MAN TGE, TGL (Transporter).

Front axle: Mercedes V-Klasse (W447); VW-Crafter; Chrysler PT Cruiser; etc.

Rear axle: Mercedes V-Klasse (W447); etc.

Alternative tool: 99409H

Pair of special jaws with closed attachment ring.
The anti-slip protective inserts prevent the spring from unwinding itself out of the spring compressor and also avoid damage to the sensitive coating of the spring.

Necessary Accessories:

KL-9002-100 Compressor Base Body (included in **KL-9002 SP**)

Technical Data:

For spring Ø from:	125mm (inside)
For spring Ø up to:	205mm (outside)
Weight (Pair):	4.3kg

4 pcs.



Scope of Delivery:

KL-9001-13 SP Pair of Jaws with Protective Inserts, Size 3

Part No.	Description	Qty
KL-9001-13	Pair of Jaws, Size 3	1
KL-9001-23	Pair of Protective Inserts, Size 3	1

KL-9001-33 SP [Code 2348675]

Pair of Jaws with Protective Inserts, Size 1B

Universal application. For example:

Front axle: Audi Q7 (4L); Porsche Cayenne; VW Touareg, Amarok; etc.

Alternative tool: VAS 6046/3

Designed to compress and decompress front springs.
The anti-slip protective inserts prevent the spring from unwinding itself out of the spring compressor and also avoid damage to the sensitive coating of the spring.

Necessary Accessories:

KL-9002-100 Compressor Base Body (included in **KL-9002 SP**)

Technical Data:

For spring Ø from:	90mm (inside)
For spring Ø up to:	160mm (outside)
Weight (Pair):	3.4kg

4 pcs.



Scope of Delivery:

KL-9001-33 SP Pair of Jaws with Protective Inserts, Size 1B

Part No.	Description	Qty
KL-9001-33	Pair of Jaws, Size 1B	1
KL-9001-25	Pair of Protective Inserts, Size 1B	1

KL-9001-16 SP [Code 2480093]

Pair of Jaws with Protective Inserts, Size 0, Extended Design

Universal application. For example:

Front axle: Audi A3 (8P), TT (8J); VW Golf (1K), Sharan (7N); Škoda Kodiaq (NS7); Mercedes B-Klasse (W245); Citroën C-Crosser; Mazda 3 (BL); Mitsubishi Outlander (II); etc.

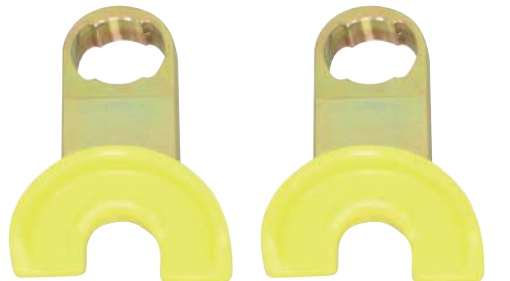
These jaws with an extended attachment axle (extended by approximately 30mm) are ideal for springs that are hard to reach. Thanks to the possibility of using an extended jaw in combination with a non-extended jaw, also conical springs can be compressed.

The anti-slip protective inserts prevent the spring from unwinding itself out of the spring compressor and also avoid damage to the sensitive coating of the spring.

Technical Data:

For spring Ø from:	55mm (inside)
For spring Ø up to:	120mm (outside)
Weight (Pair):	3.8kg

4 pcs.



Necessary Accessories:

KL-9002-100 Compressor Base Body (included in **KL-9002 SP**)

Scope of Delivery:

KL-9001-16 SP Pair of Jaws with Protective Inserts, Size 0

Part No.	Description	Qty
KL-9001-16	Pair of Jaws, Size 0, Extended Design	1
KL-9001-20	Pair of Protective Inserts, Size 0	1



4 pcs.



KL-9001-17 SP

[Code 2347954]

Pair of Jaws with Protective Inserts, Size 1, Extended Design

Universal application. Essential for Pathfinder; Seat Arosa; VW Lupo (6X/6E), Touran (1T3); Mercedes etc.

Alternative tool: W 211 589 01 63 00, W 230 589 11 63 00

These jaws with an extended attachment axle (extended by approximately 30mm) are ideal for springs that are hard to reach. Thanks to the possibility of using an extended jaw in combination with a non-extended jaw, also conical springs can be compressed.

The anti-slip protective inserts prevent the spring from unwinding itself out of the spring compressor and also avoid damage to the sensitive coating of the spring.

Necessary Accessories:

KL-9002-100 Compressor Base Body (included in **KL-9002 SP**)

Scope of Delivery:

KL-9001-17 SP Pair of Jaws with Protective Inserts, Size 1

Part No.	Description	Qty
KL-9001-17	Pair of Jaws, Size 1, Extended Design	1
KL-9001-21	Pair of Protective Inserts, Size 1	1

Technical Data:

For spring Ø from:	85mm (inside)
For spring Ø up to:	155mm (outside)
Weight (Pair):	4.4kg



2 pcs.



KL-9001-15

[Code 2347806]

Pair of Jaws, Size 5

Universal application. For example:

Mercedes E-Class (W210 4Matic), Alfa Romeo, Chrysler, Nissan, VW Lupo rear axle, etc.

Ideal for hard-to-reach springs. Used in conjunction with a non-extended jaw, this tool also enables conical springs to be compressed.

Necessary Accessories:

KL-9002-100 Compressor Base Body (included in **KL-9002 SP**)

Scope of Delivery:

KL-9001-15 Pair of Jaws, Size 5

Part No.	Description	Qty
KL-9001-1501	Pair of Jaws Size. 5	2

Technical Data:

For spring Ø from:	70mm (inside)
For spring Ø up to:	116mm (outside)
Weight (Pair):	3.8kg



4 pcs.



KL-9001-32 SP

[Code 2348624]

Pair of Jaws with Protective Inserts, Size 1

Suitable for Audi A8 (armoured) rear axle.

Alternative tool: VAS 6046/1

Ideal for conical and hard-to-reach springs.

The anti-slip protective inserts prevent the spring from unwinding itself out of the spring compressor and also avoid damage to the sensitive coating of the spring.

Necessary Accessories:

KL-9002-100 Compressor Base Body (included in **KL-9002 SP**)

Scope of Delivery:

KL-9001-32 SP Pair of Jaws with Protective Inserts, Size 1

Part No.	Description	Qty
KL-9001-32	Pair of Jaws, Size 1	1
KL-9001-25	Pair of Protective Inserts, Size 1	1

Technical Data:

For spring Ø from:	90mm (inside)
For spring Ø up to:	150mm (outside)
Weight:	3.8kg

KL-0015 SP (Code 2480328) (Universal) Spring Compressor with Protective Inserts

Universally suitable for strut suspensions. Comes with pairs of jaws in size 1N and 2N and the corresponding protective inserts for spring Ø of from 90 (inside) - 190 (outside) mm.

Alternative tool: 31 3 120, KM-6068, MKM-6068

Our universal spring compressor with extended working travel. The anti-slip protective inserts prevent the spring from unwinding itself out of the spring compressor and also avoid damage to the sensitive coating of the spring.

Advantages:

- Self-locking mechanism of the sliding jaw mount.
- Approved by the German Employers' Liability Insurance Association.
- Also applicable to conical springs.
- Comes with plastic protective inserts

Note:

KL-0015 Spring Compressor, like the **KL-0015 SP**, however, supplied without plastic protective inserts.

Technical Data:

Span width (distance between jaws):	min. 50mm/max. 345mm
Working travel:	295mm
Overall length:	475mm
Drive:	27mm
Maximum load capacity:	17,500N
Breaking point:	70,000N

Note: Additional jaws for spring Ø 65 (inside) - 195 (outside) mm are available as accessories.

9 pcs.



Scope of Delivery:

KL-0015 SP Spring Compressor

Part No.	Description	Qty
KL-0015-100	Compressor Base Body	1
KL-1510 SP	Pair of Jaws with Protective Inserts, Size 1N	1
KL-1520 SP	Pair of Jaws with Protective Inserts, Size 2N	1

KL-2000 SP (Code 2479931) Spring Compressor with Protective Inserts

Suitable for McPherson-type suspension struts with spring Ø 90 (inside) - 190 (outside) mm.

The **KL-2000 SP** spring compressor comes with the pairs of jaws **KL-1510 SP** (size 1N) and **KL-1520 SP** (size 2N), thus allowing the user to professionally remove/install right-hand wound coil springs (with a spring-Ø of 65 (inside) - 195 (outside) mm*) and shock absorbers on passenger car chassis systems.

The anti-slip protective inserts prevent the spring from unwinding itself out of the spring compressor and also avoid damage to the sensitive coating of the spring.

Note:

KL-2000 Spring Compressor, like the **KL-2000 SP**, however, supplied without plastic protective inserts.

Technical Data:

Jaw opening:	45-290mm
Working travel:	245mm
Overall length:	410mm
Drive:	reversible ratchet
Max. load:	8,500N
Breaking point:	32,000N
Weight:	9.4kg

9 pcs.



* in conjunction with jaws available as accessories.

Scope of Delivery:

KL-2000 SP Spring Compressor with Protective Inserts

Part No.	Description	Qty
KL-2000-100	Base Body	1
KL-1510 SP	Pair of Jaws with Protective Inserts, Size 1N	1
KL-1520 SP	Pair of Jaws with Protective Inserts, Size 2N	1

KL-1502-SP (Code 2458942) Pair of Jaws with Protective Inserts, Size 0C

Universal application. For example:

Front axle: BMW 5 Series (F10); Porsche 911 (991); Mazda 3 (BL); etc.

Rear axle: Audi A1 (8X), A3 (8P), TT (8J); VW Golf (5G), Passat (357), up!, Arteon (3H), Sharan (7N), Touran (1T3); Seat Ibiza (6J); Škoda Superb (3T), Kodiaq (NS7); BMW 5 Series (F10), 6 Series (E63), X3 (F25); Mercedes B-Class (W245); Porsche 911 (991); Citroën C-Crosser, C1 (PM/PN), C2 (JM); Fiat 500L (351), Bravo (198), Panda (312); Ford Fiesta (VI), B-Max (JK); Mazda 2 (DE); Mini Cooper (R56); Mitsubishi Lancer (VIII); Peugeot 208 (CA/CC), 508 (8D); Renault Clio (IV); etc.

Alternative tool: 204-215, 31 3 125, 951-2897, 951-2912, VAG1752/3, VAG1752/3 A

Pair of special jaws for a professional removing and installing of right-hand wound coil springs and shock absorbers on passenger car chassis systems.

The anti-slip protective inserts prevent the spring from unwinding itself out of the spring compressor and also avoid damage to the sensitive coating of the spring.

4 pcs.



Necessary accessories:

KL-0015-100 Compressor Base Body (included in **KL-0015 SP**) or **KL-2000-100** Compressor Base Body (included in **KL-2000 SP**)

Technical Data:

For spring Ø from:	65mm (inside)
For spring Ø up to:	115mm (outside)
Weight (Pair):	1.45kg

Scope of Delivery: KL-1502-SP Pair of Jaws

Part No.	Description	Qty
KL-1502	Pair of Jaws, Size 0C	1
KL-1502-S	Pair of Protective Inserts, Size 0C	1

1. Springs and Shock Absorbers



Necessary Accessories:

KL-0015-100 Compressor Base Body (included in **KL-0015 SP**) or **KL-2000-100** Compressor Base Body (included in **KL-2000 SP**)

Technical Data:

For spring Ø from:	90mm (inside)
For spring Ø up to:	160mm (outside)
Weight (Pair):	1.9kg

Scope of Delivery:

KL-1510-SP Pair of Jaws with Protective Inserts, Size 1N

Part No.	Description	Qty
KL-1510	Pair of Jaws, Size 1N	1
KL-1510-S	Pair of Protective Inserts, Size 1N	1

KL-1510-SP

(Code 1919903)

Pair of Jaws with Protective Inserts, Size 1N

Universal application. For example:

Front axle: Audi A3 (8P), TT (8J); VW Golf (5G), Passat (357), up!, Scirocco (137), Arteon (3H), Sharan (7N), Touran (1T3); Seat Exeo (3R), Ibiza (6J); Škoda Superb (3T), Kodiaq (NS7); BMW 2 Series (F45), X5 (E70); Mercedes B-Class (W245); Citroën C1 (PM/PN), C2 (JM), Xsara (N1/N2); Fiat 500 (312), 500L (351), Bravo (198), Croma (194), Panda (169, 312), Punto (199); Ford Fiesta (VI), Ka (II), Focus (III), B-Max (JK); Mazda 2 (DE), 3 (BL); Mini Cooper (R56); Opel Astra (J), Insignia (A), Mokka (J13); Peugeot 207 (WA/WC/WD), 208 (CA/CC); Renault Clio (IV), Twingo (II); Volvo V70 (135); etc.

Rear axle: Audi A1 (8X); VW Scirocco (137); Chrysler PT Cruiser; Fiat Punto (199), Qubo (225); Hyundai i30 (GD); Mini Cabrio (R57); Opel Astra (J), Insignia (A), Mokka (J13); Peugeot 207 (WA/WC/WD); Renault Twingo (II); Volvo V70 (135); etc.

Alternative tool: 205-318, 31 3 122, 951-2913, VAG1752/4

Pair of special jaws for a professional removing and installing of right-hand wound coil springs and shock absorbers on passenger car chassis systems.

The anti-slip protective inserts prevent the spring from unwinding itself out of the spring compressor and also avoid damage to the sensitive coating of the spring.



Necessary Accessories:

KL-0015-100 Compressor Base Body (included in **KL-0015 SP**) or **KL-2000-100** Compressor Base Body (included in **KL-2000 SP**)

Scope of Delivery:

KL-1520-SP Pair of Jaws with Protective Inserts, Size 2N

Part No.	Description	Qty
KL-1520	Pair of Jaws, Size 2N	1
KL-1520-S	Pair of Protective Inserts, Size 2N	1

KL-1520-SP

(Code 1996894)

Pair of Jaws with Protective Inserts, Size 2N

Universal application. For example:

Front axle: BMW 3 Series (F30); Mercedes Citan (W415), V-Class (W447); Chrysler PT Cruiser; Fiat Ducato (250); Ford Galaxy (III); Hyundai i30 (GD); Mini Cabrio (R57); Mitsubishi Lancer (VIII); Peugeot 508 (8D); etc.

Rear axle: Mercedes Citan (W415), V-Klasse (W447); etc.

Alternative tool: 14-042-01-2, 204-167-01, 31 3 123, 951-2914, VAG1752/5

Pair of special jaws for a professional removing and installing of right-hand wound coil springs and shock absorbers on passenger car chassis systems.

The anti-slip protective inserts prevent the spring from unwinding itself out of the spring compressor and also avoid damage to the sensitive coating of the spring.

Technical Data:

For spring Ø from:	125mm (inside)
For spring Ø up to:	190mm (outside)
Weight (Pair):	2.1kg



Scope of Delivery:

KL-1530 Pair of Jaws, Size 3N

Part No.	Description	Qty
KL-1531	Jaws, Size 3N	2

KL-1530

(Code 1932578)

Pair of Jaws, Size 3N

Universal application.

Pair of special jaws for a professional removing and installing of right-hand wound coil springs and shock absorbers on passenger car chassis systems.

Necessary Accessories:

KL-0015-100 Compressor Base Body (included in **KL-0015 SP**) or **KL-2000-100** Compressor Base Body (included in **KL-2000 SP**)

Technical Data:

For spring Ø:	180-240mm
Weight (Pair):	3.0kg



KL-1525-SP (Code 2459612)

Jaw with Protective Insert, Size 2B

Applicable to BMW 3 Series E46, BMW 5 Series E39.

Special jaw for a professional removing and installing of right-hand wound coil springs and shock absorbers on passenger car chassis systems. The anti-slip protective inserts prevent the spring from unwinding itself out of the spring compressor and also avoid damage to the sensitive coating of the spring.

Technical Data:

For spring Ø from:	135mm (inside)
For spring Ø up to:	195mm (outside)
Weight (Piece):	1kg

2 pcs.



Necessary Accessories:

KL-0015-100 Compressor Base Body (included in KL-0015 SP) or KL-2000-100 Compressor Base Body (included in KL-2000 SP)

Scope of Delivery:

KL-1525-SP Jaw with Protective Insert, Size 2B

Part No.	Description	Qty
KL-1525	Jaws, Size 2B	1
KL-1521-S	Protective Insert, Size 2N	1

KL-1512-SP (Code 2459159)

Pair of Jaws with Protective Inserts, Size 1A

Universal application. For example:

Front axle: Audi A1 (8X), A4 (8K), A5 (8T), Q5 (8R); etc.

Rear axle: Audi A8; etc.

Alternative tool: VAG1752/7

Pair of special jaws for a professional removing and installing of right-hand wound coil springs and shock absorbers on passenger car chassis systems. The anti-slip protective inserts prevent the spring from unwinding itself out of the spring compressor and also avoid damage to the sensitive coating of the spring.

Technical Data:

For spring Ø from:	90mm (inside)
For spring Ø up to:	145mm (outside)
Weight (Pair):	2.4kg

4 pcs.



Necessary Accessories:

KL-0015-100 Compressor Base Body (included in KL-0015 SP) or KL-2000-100 Compressor Base Body (included in KL-2000 SP)

Scope of Delivery:

KL-1512-SP Pair of Jaws with Protective Inserts, Size 1A

Part No.	Description	Qty
KL-1512	Pair of Jaws, Size 1A	1
KL-1512-S	Pair of Protective Inserts, Size 1A	1

KL-1514-SP (Code 2141493)

Pair of Jaws with Protective Inserts, Size 1B

Suitable for Audi A8 front axle.

Alternative tool: VAG1752/6

Pair of special jaws for a professional removing and installing of right-hand wound coil springs and shock absorbers on passenger car chassis systems. The anti-slip protective inserts prevent the spring from unwinding itself out of the spring compressor and also avoid damage to the sensitive coating of the spring.

Technical Data:

For spring Ø from:	90mm (inside)
For spring Ø up to:	145mm (outside)
Weight (Pair):	2.2kg

4 pcs.



Necessary Accessories:

KL-0015-100 Compressor Base Body (included in KL-0015 SP) or KL-2000-100 Compressor Base Body (included in KL-2000 SP)

Scope of Delivery:

KL-1514-SP Pair of Jaws with Protective Inserts, Size 1B

Part No.	Description	Qty
KL-1514	Pair of Jaws with, Size 1B	1
KL-1514-S	Pair of Protective Inserts, Size 1B	1

KL-1516-SP (Code 2459337)

Pair of Jaws with Protective Inserts, Size 1C

Suitable for Audi A4 (model 2001 onwards) rear axle wishbone.

Alternative tool: VAG1752/16

Pair of special jaws for a professional removing and installing of right-hand wound coil springs and shock absorbers on passenger car chassis systems. The anti-slip protective inserts prevent the spring from unwinding itself out of the spring compressor and also avoid damage to the sensitive coating of the spring.

Technical Data:

For spring Ø from:	90mm (inside)
For spring Ø up to:	135mm (outside)
Weight (Pair):	2.2kg

4 pcs.



Necessary Accessories:

KL-0015-100 Compressor Base Body (included in KL-0015 SP) or KL-2000-100 Compressor Base Body (included in KL-2000 SP)

Scope of Delivery:

KL-1516-SP Pair of Jaws with Protective Inserts, Size 1C

Part No.	Description	Qty
KL-1516	Pair of Jaws with, Size 1C	1
KL-1516-S	Pair of Protective Inserts, Size 1C	1



4 pcs.



KL-1518 A SP

(Code 3038998)

Pair of Jaws with Protective Inserts, Size 1D

Suitable for use on Volvo XC 90 (model 2015 onwards), front axle.

Pair of special jaws for a professional removing and installing of right-hand wound coil springs and shock absorbers on passenger car chassis systems. The anti-slip protective inserts prevent the spring from unwinding itself out of the spring compressor and also avoid damage to the sensitive coating of the spring.

Necessary Accessories:

KL-0015-100 Compressor Base Body (included in **KL-0015 SP**) or

KL-2000-100 Compressor Base Body (included in **KL-2000 SP**)

Technical Data:

For spring Ø from:	80mm (inside)
For spring Ø up to:	115mm (outside)
Weight (pair):	1.9kg

Scope of Delivery:

KL-1518 A SP Pair of Jaws with Protective Inserts, Size 1D

Part No.	Description	Qty
KL-1519 A	Jaw, Size 1D	2
KL-1519 A S	Protective Inserts, Size 1D	2



4 pcs.



KL-1540

(Code 2459698)

Jaw Set (4-piece set), Size 4

Suitable for VW Golf, Bora vehicles equipped with 4-wheel drive (4 Motion).

Alternative tool: VAG1752/15

These specially shaped jaws are indispensable for the removal and installation of rear axle suspension coil springs.

Advantages:

- No need to lower the rear axle.
- No need for an additional wheel alignment.
- No need to loosen the shock absorber and drive shaft.

Scope of Delivery:

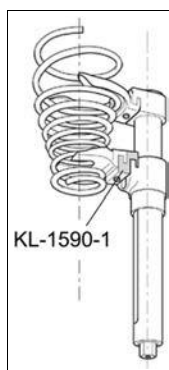
KL-1540 Set of Jaws (4 piece set) Size 4

Part No.	Description	Qty
KL-1541	Jaw, Size 4, bottom left	1
KL-1543	Jaw, Size 4, top left	1
KL-1545	Jaw, Size 4, bottom right	1
KL-1547	Jaw, Size 4, top right	1

Necessary Accessories:

KL-0015-100 Compressor Base Body (included in **KL-0015 SP**) or

KL-2000-100 Compressor Base Body (included in **KL-2000 SP**)



2 pcs.



KL-1590-2

(Code 2159376)

Adaptor Set

Universally suitable.

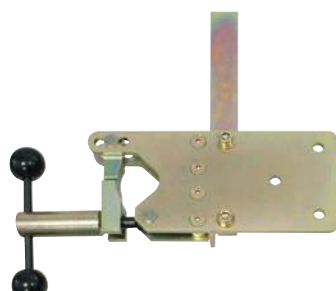
Alternative tool: VAG1752/9

Used to extend the jaws, for example, when compressing the rear axle spring on **VW Lupo** or barrel springs.

Scope of Delivery:

KL-1590-2 Adaptor Set

Part No.	Description	Qty
KL-1590-1	Adaptor for Conical Springs	2



KL-0055-60

(Code 2380471)

Holding Fixture for Suspension Struts

Suitable for MacPherson suspension struts, shock absorbers and steering gears.

Alternative tool: KM-6066, VAS 1752/20

This holding fixture can either be screw-fitted to a workbench or clamped into a vice, thus enabling quick, safe and professional repairs to be carried out.

Suspension struts should NEVER be directly clamped in a vice for servicing and assembly work! (Risk of deformation).

KL-0033-10 E (Code 3276317) (Patented)

Compact Internal Coil Spring Compressor, Size 2A, in a Foam Insert

Universally applicable to wishbone and independent, multi-link suspension systems as found in vehicles from VW-Audi, Seat, Porsche, Mercedes, BMW, Ford and in many more. Essential tool for use on the rear axle of Audi vehicles. For example: Audi A4 B8 (8K), A5 (8T), A6 (C7 / 4G), A7 (C7 / 4G), Q5 (8R).

The internal coil spring compressor allows you to quickly and safely remove and install coil springs on wishbone and independent, multi-link suspensions in situ on the vehicle.

Thanks to the particularly compact design, the compressor base body can be easily inserted into the spring from below, through the wishbone - even with VAG vehicles having a very small lower wishbone access hole (of approx. 34mm Ø).

As a result, the loosening of axle components and follow-up wheel alignments are no longer necessary.

Sturdy and robust design ensures a high level of operational safety.

The unique 3-point safety interlock mechanism and the special anti-rotation profile prevent the pressure plates from twisting during the compression process and, thus, the coil spring from coming loose and falling off the spring compressor.

Simple and safe mounting of the spring compressor - no need for additional locking, awkward or cumbersome installation work is avoided!

Another special feature of the pressure plates are the anti-slip protective inserts which prevent the spring from unwinding itself out of the spring compressor and also avoid damage to the sensitive coating of the spring.

Advantages:

- Particularly compact design.
- Universally applicable to coil springs on wishbone and independent, multi-link suspension systems.
- THE ideal tool for VAG vehicles having a very small access hole in the wishbone.
- Eliminates the need for loosening axle components and follow-up wheel alignments.
- Substantial time savings.
- High level of safety when compressing the spring - thanks to the unique 3-point safety interlock mechanism.
- No additional locking necessary - thanks to the safe and simple lock mechanism!
- No risk of the pressure plates twisting - thanks to the special anti-rotation profile.
- No risk of damaging the sensitive spring surface finish - thanks to the anti-slip protective inserts.
- No risk of the spring unwinding itself out of the spring compressor - thanks to the anti-slip protective inserts.

Recommended Accessory: KL-0033-300 E Holding-Down Tool Kit, in a Foam Insert

Tool Storage System: KL-4990-9372 Plastic Storage Case

KL-0033-10 Internal Coil Spring Compressor

Like the KL-0033-10 E, however, supplied without Foam Insert.

4 pcs.



Technical Data:

Max. load capacity:	30,000N
Breaking point:	120,000N
Working travel:	100mm
Opening width:	116 - 216mm
Overall length:	178 - 278mm
Drive:	19mm external hex + 8mm internal hex
Weight:	3.5kg

Scope of Delivery:

KL-0033-10 E Compact Internal Coil Spring Compressor

Part No.	Description	Qty
KL-0033-100	Compressor Base Body	1
KL-0033-1101	Pressure Plate with Lock	1
KL-0033-1102	Pressure Plate with Anti-Rotation Profile	1
IN 19 LK 8-140	Screwdriver bit socket	1
KL-0033-1090-1	Foam Insert	1





2 pcs.



KL-0033-16

(Code 3279642)

Pair of Pressure Plates, Size OA

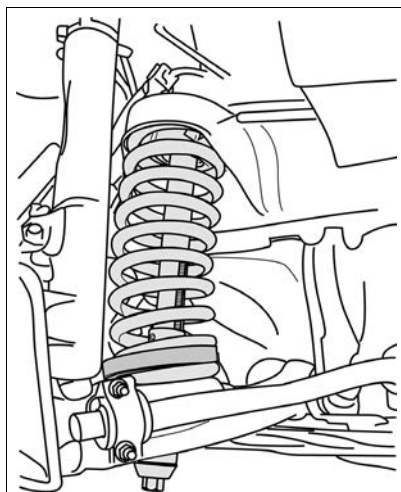
Universal application. Particularly suitable for use on Mercedes-Benz E-Class (W211, W212), C-Class (W204), GLA (X156), GLK (X204); Ford Focus III (MK3); BMW 1 Series (E81) as well as Audi.

The pair of pressure plates, in conjunction with the necessary accessories, allows you to quickly and safely remove and install coil springs on wishbone and independent, multi-link suspensions in situ on the vehicle. The unique 3-point safety interlock mechanism and the special anti-rotation profile prevent the pressure plates from twisting during the compression process and, thus, the coil spring from coming loose and falling off the spring compressor.

Necessary Accessories (included in **KL-0033-10 E**):

KL-0033-100 Compact Compressor Base Body,

IN19LK8-140 Bit Socket, 8mm waf



Technical Data:

Applicable to spring Ø:	95 - 110mm
Gradient of pressure plate to 240°:	6mm
Weight:	1.5kg

Scope of Delivery:

KL-0033-16 Pair of Pressure Plates, Size OA

Part No.	Description	Qty
KL-0033-1601	Pressure Plate, Size OA, with interlock mechanism	1
KL-0033-1602	Pressure Plate, Size OA, with anti-rotation profile	1



5 pcs.



KL-0033-300 E

(Code 3275205)

Holding-Down Tool Kit, in a Foam Insert

Universally applicable to wishbone and independent, multi-link suspension systems as found in vehicles from VW-Audi, Seat, Porsche, Mercedes, BMW, Ford and in many more.

Essential tool for use on the rear axle of VW-Audi, Porsche and Mercedes-Benz vehicles. For example: Audi A4 (8K), A5 (8T), A6 (C6), Q5 (8R), Q7 (4M); Seat Exeo (3R); VW Touareg; Porsche Cayenne (PO536), Macan; Mercedes-Benz E-Klasse (W211, W212), C-Klasse (W204), GLA (X156), GLK (X204); etc.

The holding-down tool kit is intended to ease the removal and installation of coil springs on wishbone and independent, multi-link suspensions. Particularly recommended for use with our **KL-0033-10 E** Compact Internal Coil Spring Compressor.

Insert the holding-down tool between the upper control arm and the vehicle body. Then, pre-tighten it slightly. The tool is designed to keep the suspension in position while the coil spring is being compressed. This reduces the compression travel and greatly facilitates the removal of the spring.

Tool Storage System:

KL-4990-9224 Plastic Storage Case

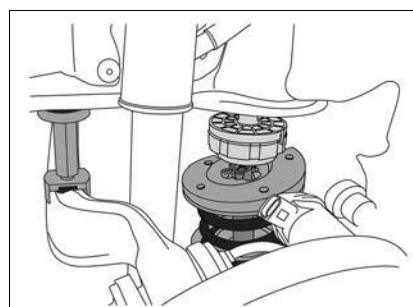
Technical Data:

Drive:	22mm waf
Diameter of support:	Ø 40/50mm
Clamping range (short adjusting nut):	80 - 113mm
Clamping range (long adjusting nut):	105 - 138mm

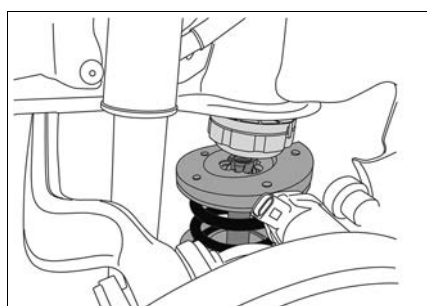
Scope of Delivery:

KL-0033-300 E Holding-Down Tool Kit, in a Foam Insert

Part No.	Description	Qty
KL-0033-3001	Support Bracket	1
KL-0033-3002	Support, Ø 50mm	1
KL-0033-3003 A	Support, Ø 40mm	1
KL-0033-3004	Adjusting Nut, short	1
KL-0033-3005	Adjusting Nut, long	1
KL-0033-3090-1	Foam Insert	1



With holding-down clamp



Without holding-down clamp



KL-0025-20 E (Code 3402495) (Patented)

Spring Compressor (Short Design) with Pressure Plates Size 1+2, in a Foam Insert

5 pcs.



Suitable for Chrysler, Mercedes C-Class (W202), CLK (W208), E-Class (W210, W211), S-Class (W140), SL (R107, R129, R170), W114, W115, W116, W123, W124, W126 and W201 rear axle springs. Also applicable to BMW 1 Series (E87) and 3 Series (E90) if used with the pair of pressure plates KL-0025-16.

Alternative tool: 99415V, W 140 589 00 31 00, W 202 589 02 31 00

Allows the removal of rear axle springs in very confined spaces without having to lower the rear sub-frame.

Advantages:

- Automatic 3-point safety interlock mechanism
- Automatic freewheel at end of stroke
- Anti-rotation profile
- Spindle overload protection

Tool Storage System:

KL-4999-1396 Plastic Storage Case

KL-0025-2 Spring Compressor

Like the **KL-0025-20 E**, however, supplied without Foam Insert.

Technical Data

Max. load capacity:	30,000N
Span width (Jaw opening):	110-287mm
Working travel:	177mm
Overall length:	233mm
Drive:	Size (waf) 19mm hex
Breaking point:	120,000N

Scope of Delivery:

KL-0025-20 E Spring Compressor (Short Design) with Pressure Plates Size 1+2

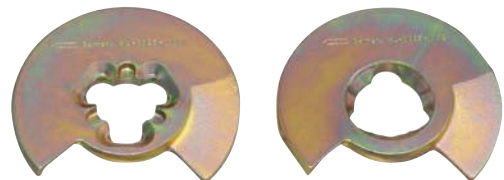
Part no.	Description	Qty
KL-0025-200	Compressor Base Body	1
KL-0025-11	Pair of Pressure Plates, Size 1	1
KL-0025-12	Pair of Pressure Plates, Size 2	1
KL-4999-1323	Foam Insert	1



KL-0025-11 (Code 1853295)

Pair of Pressure Plates, Size 1

2 pcs.



Suitable for Mercedes 190 (W201), C-Class (W202), SL (R129), W116, W123, W124, front spring; 190 (W201), C-Class (W202), SL (R129), W124; 4-Matic rear spring; Saab; Škoda; Ford; etc.

Alternative tool: W 202 589 13 63 00, 99415V

With anti-rotation profile to prevent the pressure plates from twisting - locks the pressure plates and prevents them from twisting during the compression process or when in a stressed position, thus eliminating the risk of a compressed spring unwinding itself out of the spring compressor.

Technical Data:

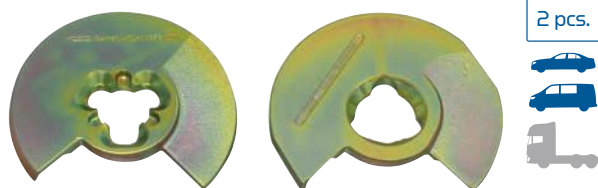
Compression range:	Spring Ø: 95-120mm
Incline:	240° = 6mm
Weight:	1.5kg

Necessary Accessories: (included in **KL-0025-2 E**)
KL-0025-200 Compressor Base Body

Scope of Delivery:

KL-0025-11 Pair of Pressure Plates, Size 1

Part No.	Description	Qty
KL-0025-1101	Pressure Plate with Interlock Mechanism, Size 1	1
KL-0025-1102	Pressure Plate with Anti-Rotation Profile, Size 1	1



2 pcs.



KL-0025-12 (Code 1853317) Pair of Pressure Plates, Size 2

Universal application. Suitable for Mercedes S-Class (W140) and W126 front spring, S-Class (W140), SL (R107), W114, W115, W116, W123, W126; Ford Mondeo (V) rear spring; Vauxhall/Opel; GM; Lada; Peugeot; Rover; Hyundai; Saab; Volvo; VW T2; Ford Taunus; Mitsubishi; etc.

Alternative tool: W 000 589 81 63 00, W 140 589 07 63 00, W 202 589 14 63 00

With anti-rotation profile to prevent the pressure plates from twisting - locks the pressure plates and prevents them from twisting during the compression process or when in a stressed position, thus eliminating the risk of a compressed spring unwinding itself out of the spring compressor.

Technical Data:

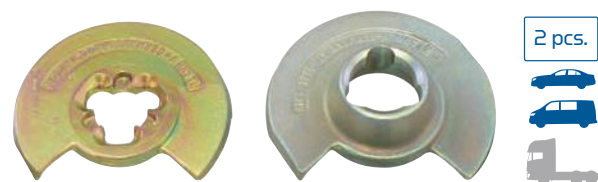
Compression range:	Spring Ø: 20-140mm
Incline:	240° = 6mm
Weight:	2.1kg

Necessary Accessories: (included in **KL-0025-2 E**)
KL-0025-200 Compressor Base Body

Scope of Delivery:

KL-0025-12 Pair of Pressure Plates, Size 2

Part No.	Description	Qty
KL-0025-1201	Pressure Plate with Interlock Mechanism, Size 2	1
KL-0025-1202	Pressure Plate with Anti-Rotation Profile, Size 2	1



2 pcs.



KL-0025-15 (Code 2431203) Pair of Pressure Plates, Size 5

Universal application. Suitable for Mercedes W124 4-Matic front axle.

Alternative tool: W 000 589 80 63 00

With anti-rotation profile to prevent the pressure plates from twisting - locks the pressure plates and prevents them from twisting during the compression process or when in a stressed position, thus eliminating the risk of a compressed spring unwinding itself out of the spring compressor.

Technical Data:

Compression range:	Spring Ø: 110-130mm
Incline:	270°=5mm
Weight:	2kg

Necessary Accessories: (included in **KL-0025-2 E**)
KL-0025-200 Compressor Base Body

Scope of Delivery:

KL-0025-15 Pair of Pressure Plates, Size 5

Part No.	Description	Qty
KL-0025-1501	Pressure Plate, Size 5, with Interlock Mechanism	1
KL-0025-1502	Pressure Plate, size 5, with Anti-Rotation Profile	1



2 pcs.



KL-0025-16 (Code 1751425) Pair of Pressure Plates, Size 0A

Universal application. Suitable for Mercedes C-Class (W203 / W204), CLK (W209); E-Class (W211 4-matic / W212), GLK (X204), SLK (171); BMW 1 Series (E87, F20) and 3 Series (E90, F30); Hyundai i30 (GD) rear axle.

Alternative tool: W 202 589 14 63 00, W 211 589 03 63 00

With anti-rotation profile to prevent the pressure plates from twisting - locks the pressure plates and prevents them from twisting during the compression process or when in a stressed position, thus eliminating the risk of a compressed spring unwinding itself out of the spring compressor.

Technical Data:

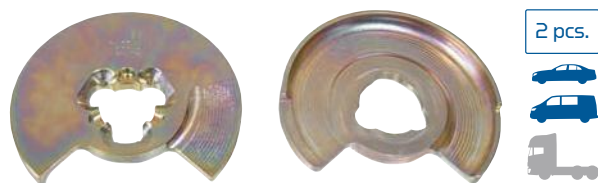
Compression range:	Spring Ø: 95-110mm
Incline:	240° = 6mm
Weight:	1.4kg

Necessary Accessories: (included in **KL-0025-2 E**)
KL-0025-200 Compressor Base Body

Scope of Delivery:

KL-0025-16 Pair of Pressure Plates, Size 0A

Part No.	Description	Qty
KL-0025-1601	Pressure Plate, Size 0A, with Interlock Mechanism	1
KL-0025-1602	Pressure Plate, Size 0A, with Anti-Rotation Profile	1



2 pcs.



KL-0025-17 (Code 2432927) Pair of Pressure Plates, M-Class

Universal application. Suitable for Mercedes rear axle M-Class (W164).

Alternative tool: W 164 589 01 63 00

With anti-rotation profile to prevent the pressure plates from twisting - locks the pressure plates and prevents them from twisting during the compression process or when in a stressed position, thus eliminating the risk of a compressed spring unwinding itself out of the spring compressor.

Technical Data:

Compression range:	Spring Ø: 110-13mm
Incline:	270° = 7mm
Weight:	1.9kg

Necessary Accessories: (included in **KL-0025-2 E**)
KL-0025-200 Compressor Base Body

Scope of Delivery:

KL-0025-17 Pair of Pressure Plates, M-Class

Part No.	Description	Qty
KL-0025-1701	Pressure Plate, Size 1.5, with Interlock Mechanism	1
KL-0025-1702	Pressure Plate, Size 1.5, with Anti-Rotation Profile	1

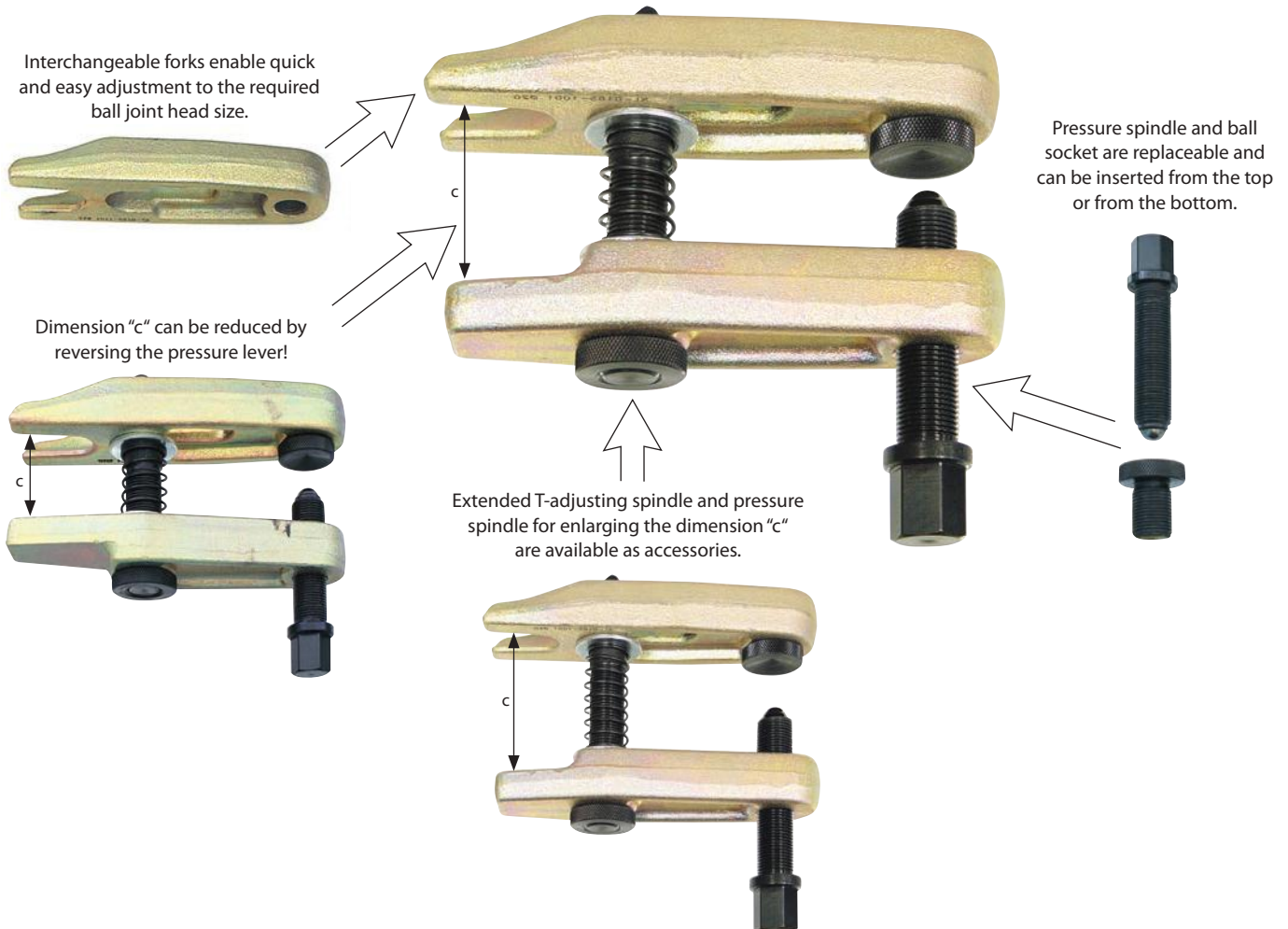


2. Axle Repair Tools (Steering, Support Joints, Wheel Bearings, etc.)



KL-0165-Series

Ball Joint Extractors (Patented)



Advantages:

- ☑ High-quality product made in Germany.
- ☑ Forks are removable by a 90° rotation and feature a T-bolt locking mechanism.
- ☑ All components are available individually as spare parts.
- ☑ Forged pressure lever and fork.
- ☑ Infinitely adjustable to the required pivot pin height.
- ☑ Pressure spindle driven by a 19mm hexagon and provided with a safety shoulder to prevent spanner from slipping.
- ☑ A wide range of forks for the most different kinds of ball joint connections is available as accessories.

2.1 Steering Geometry

KL-0165-1 (Code 1753592) Ball Joint Extractor Set, Size 1 and 2

Universally applicable to light and commercial vehicles/vans like VW-Audi, Seat, Škoda, Mercedes, BMW, Renault, Peugeot, Fiat, Opel, Ford, Porsche etc.

Alternative tool: W 124 589 02 33 00, W 201 589 01 33 00, W 201 589 14 33 00, W 202 589 02 33 00, W 124 589 03 33 00, W 140 589 00 63 00, 31 3 240

An indispensable tool set for the quick and easy separation of ball joint connections in axle/suspension and steering systems.

Advantage:

- Variable through separator forks
- High stability
- Ideal release pressure point and adjustable tilting adjustment

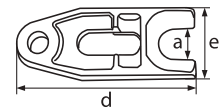
Recommended Accessory:

1993 U-20 Reversible Ratchet 1/2"

Scope of Delivery:

KL-0165-1 Ball Joint Extractor Set

Part No.	Description	Qty
KL-0165-100	Base Tool without Fork	1
KL-0165-1001	Fork - a=20mm - e=50mm - d=165mm (results KL-0165-10)	1
KL-0165-1101	Fork - a=22mm - e=50mm - d=165mm (results KL-0165-11)	1
KL-0165-1201	Fork - a=24mm - e=50mm - d=165mm (results KL-0165-12)	1
KL-0165-1301	Fork - a=27mm - e=50mm - d=165mm (results KL-0165-13)	1
KL-0165-1401	Fork - a=30mm - e=50mm - d=165mm (results KL-0165-14)	1
KL-0165-2001	Fork - a=22mm - e=60mm - d=165mm (results KL-0165-20)	1
KL-0165-2101	Fork - a=24mm - e=60mm - d=165mm (results KL-0165-21)	1
KL-0165-2201	Fork - a=26mm - e=60mm - d=165mm (results KL-0165-22)	1
KL-0165-2301	Fork - a=30mm - e=60mm - d=165mm (results KL-0165-23)	1
KL-0165-1090	Plastic Storage Case	1

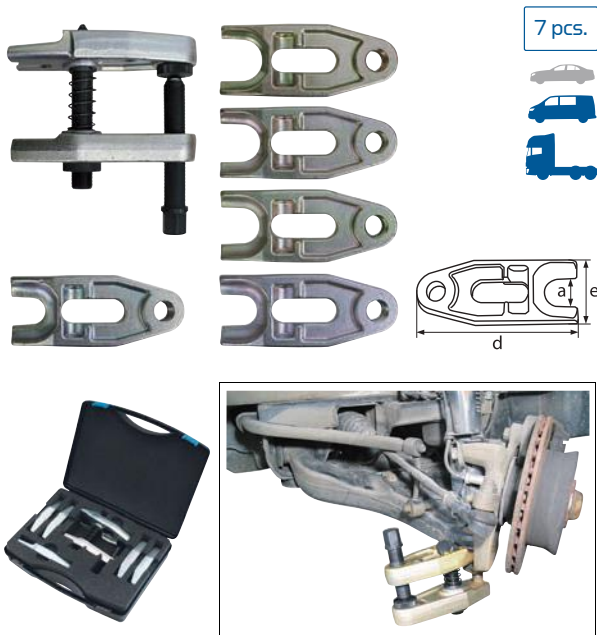


Applications Ball Joint Extractor

Part No. Puller	Part No. Fork	Especially Suitable for
KL-0165-10	KL-0165-1001	Track Rod Joint: Audi A6 (4A), TT (8J); VW Golf (IV); Skoda Rapid (NH1/3); Renault Clio (IV); Hyundai i30 (GD); Ford Focus II; Citroen C3 II (SC_); etc. Supporting Joint/Guide Joint: Peugeot 307; etc.
KL-0165-11	KL-0165-1101	Track Rod Joint: Peugeot 307, 407; Ford Fiesta V + VI (JH/D, CB1/CCN), Kuga I, B-Max (JK); Opel Zafira B (A05), Corsa C (X01), Antara (L07); Mazda 3 (BL); Skoda Roomster (5J7); etc.
KL-0165-12	KL-0165-1201	Track Rod Joint: Audi Q5 (8RB); BMW X3 (F25), X5 (E70); Citroen C1 (PM, PN); Fiat Stilo (192), 500 / C (312), Croma (194); Ford KA (RU8); Kia Picanto (SA); Mercedes E-Class (W212); Nissan Qashqai (J10); Peugeot 208 (CA, CC), 3008 (DU), 4007 (VU, VV), 5008 (DU, DE); Renault Twingo II (CN0), Megane III, Subaru Impreza (GR, GH, G3, GE, GV); Toyota Yaris (P9); VW Golf IV / VII, Scirocco III (137, 138), Tiguan (5N_), Touran (1T1/2/3), up!; etc.
KL-0165-13	KL-0165-1301	Track Rod Joint: BMW 2 Series (F45), 3 Series (E90), 5 Series (E60), 6 Series (E63); Mercedes Sprinter (906); Opel Astra J (P10); Renault Megane IV; VW LT; etc. Supporting Joint/Guide Joint: VW Crafter (SX, SY, SZ); etc.
KL-0165-14	KL-0165-1401	Track Rod Joint: Ford S-Max (WA6), Focus III; Mazda 6 (GH); Mercedes Vito (W639); Peugeot 508 (8D, 8E); VW Sharan (7N1/2), T4; etc. Supporting Joint/Guide Joint: BMW X3 (E83), X5 (E70); Citroen C4 I; Mercedes A-Class (W176); Peugeot 5008 (DU, DE); Seat Exeo (3R2); etc.
KL-0165-20	KL-0165-2001	Track Rod Joint: Mercedes SLK (W170), C-Class (W202); Ford Fiesta V (JH, JD); Opel Astra H (A04); VW Arteon (3H7/8); etc. Supporting Joint/Guide Joint: Volvo V70 III (135); etc.
KL-0165-21	KL-0165-2101	Track Rod Joint: BMW 3 Series (E46); Renault Trafic II (JL, FL, EL); etc.
KL-0165-22	KL-0165-2201	Track Rod Joint: Audi Q3 (8U); BMW 2 Series (F45), 5 Series (F10); Ford Transit (F_); Mercedes Sprinter (W906), E-Class (W210, W212); Toyota Aygo (B1); VW T5; Porsche Cayenne; etc.
KL-0165-23	KL-0165-2301	Track Rod Joint: BMW i3 (I01); Mazda 3 (BK); Mercedes G-Class (W461, W463), V-Class (W447); Nissan X-Trail (T30); Opel Vectra C (Z02); VW Touareg (7L); etc. Supporting Joint/Guide Joint: BMW X5 (E53); Mazda 3 (BK), 6 (GG); Mercedes GLK (X204); Peugeot 307 (3H); VW T5, Touareg (7L); etc.

2. Axle Repair

2.1 Steering Geometry



KL-0165-3 KA (Code 2801817) Ball Joint Extractor Set (with 6 Forks)

Universally applicable to HGV and light commercial vehicles/vans like MAN, Mercedes, VW, Ford, Scania, Volvo, Landini, John Deere etc.

An indispensable tool set for the quick and easy separation of ball joint connections in axle/suspension and steering systems.

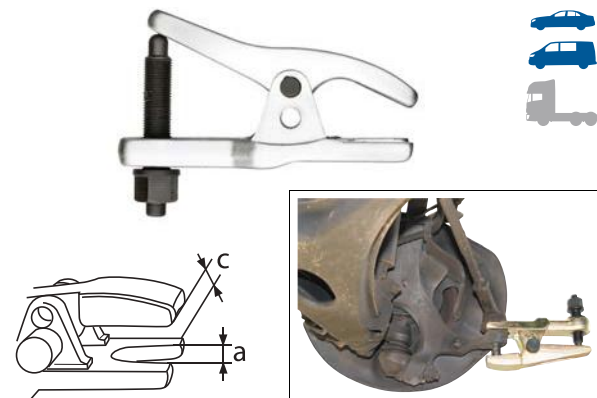
Advantage:

- Variable through separator forks
- High stability
- Ideal release pressure point and adjustable tilting adjustment

Recommended Accessory: 1993 U-20 Reversible Ratchet 1/2"

Scope of Delivery: KL-0165-3 KA Ball Joint Extractor Set (with 6 Forks)

Part No.	Description	Qty
KL-0165-300	Base Tool without Fork	1
KL-0165-3001	Fork Size 3 - a=30mm - e=80mm - d=200mm (results KL-0165-30)	1
KL-0165-3101	Fork Size 3 - a=34mm - e=80mm - d=200mm (results KL-0165-31)	1
KL-0165-3201	Fork Size 3 - a=40mm - e=80mm - d=200mm (results KL-0165-32)	1
KL-0165-3301	Fork Size 3 - a=42mm - e=80mm - d=200mm (results KL-0165-33)	1
KL-0165-3401	Fork Size 3 - a=47mm - e=80mm - d=200mm (results KL-0165-34)	1
KL-0165-3501	Fork Size 3 - a=33mm - e=80mm - d=200mm (results KL-0165-35)	1
KL-0165-3090 A	Plastic Storage Case	1



R11201002 (Code 3301558) Ball Joint Extractor (Universal)

Suitable for Alfa, VW-Audi, BMW, Fiat, Ford, Mercedes, Nissan, Opel/Vauxhall, Peugeot, Renault, Rover, Saab, Toyota, Volvo.

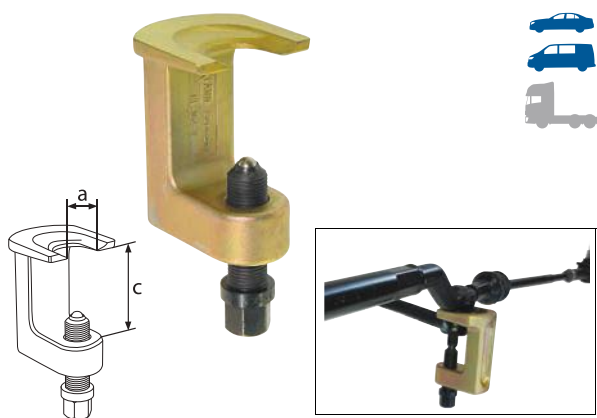
Alternative tool: KM-507-C, 267A, 951-2945, V/176

Designed to extract ball joint pivot pins from the steering arm, steering knuckle, anti-roll bar etc.

Recommended Accessory: 1993 U-20 Reversible ratchet

Technical Data:

a:	20mm
c:	2-stage up to 50mm



KL-0164-2 (Code 1753568) Ball Joint Extractor

Ideal for use in narrow space conditions like on Audi, VW, BMW, Ford, Mercedes A-Class (W168), C-Class (W202), E-Class (W210), M-Class (W163), SLK (R170), Opel/Vauxhall etc.

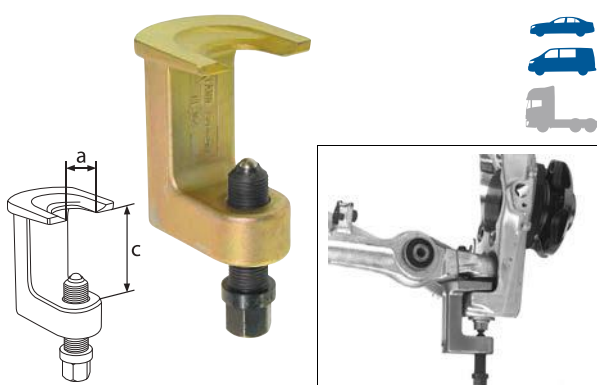
Designed to extract the ball joint pivot pin from steering arms, steering knuckles, stabilisers etc. Needed when extracting the suspension ball joint pivot pin from the steering knuckle.

Recommended Accessory: 1993 U-20 Reversible ratchet

Technical Data:

a:	23mm
c:	55mm

Note: Only suitable for closed ball joint pivot pins or for those with centre bore hole.



KL-0164-3 (Code 1753576) Ball Joint Extractor

Suitable for front axle on Audi A4, A6, A8; VW Arteon (3H), Passat; Škoda Fabia (NJ); Mercedes C-Class (W203), B-Class (W246); Renault Megane (IV) etc.

Designed to extract the suspension ball joint pivot pin from the steering knuckle.

Recommended Accessory: 1993 U-20 Reversible ratchet

Technical Data:

a:	28mm
c:	55mm

Note: Only suitable for closed ball joint pivots pins, and for those with centre hole.

2.1 Steering Geometry

KL-0169-60 (Code 3230295) Toe Measuring Gauge

Universally applicable to passenger cars, HGVs, LCVs etc.

Allows for quick and simple toe measurement via the inner rim flange or wheel. Telescopic design allows measurement range to be easily adjusted from 950 to max 1500mm (expandable to max 2150mm). Easy-to-read graduated toe scale from 0 to 40mm.

Recommended Accessory:

KL-0169-61 Extension

Technical Data:

Toe scale:	0 - 40mm
Measurement range:	950 - 1500mm
Measurement range with KL-0169-61 :	max. 2150mm



KL-0169-61 (Code 3230317) Extension

For extending the measurement range of the **KL-0169-60** toe measuring gauge to 2150mm.

Necessary Accessories:

KL-0169-60 Toe Measuring Gauge



KL-0169-1 B (Code 3283674) Track Rod Adjustment Tool

Universally suitable for track rods with tube Ø of approx. 11 to 23mm as found in passenger cars.

Designed to facilitate the loosening and adjustment of stiff track rods with tube Ø of approx. 11 to 23mm as found in passenger cars. Thanks to the detachable tube handle, the tool length can be reduced from 420 to 250mm. Thus allows convenient working even in confined space conditions in the wheel arch. The broad serrated jaws are designed to prevent damage to the track rod.

Technical Data:

For track rod tube Ø:	approx. 11-23mm
Overall length:	420mm
Length without tube handle:	250mm

Scope of Delivery:

KL-0169-1 B Track Rod Adjustment Tool

Part No.	Description	Qty
KL-0169-100	Adjustment Tool	1
KL-0169-101	Tube Handle	1
KL-0169-1001	Adaptor	1



2. Axle Repair

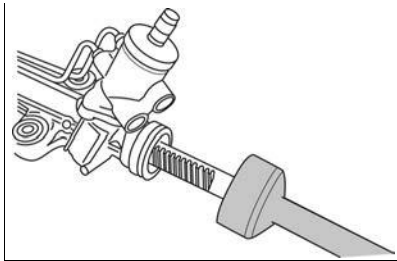
2.1 Steering Geometry



2 pcs.



1/2"



Technical Data:

Drive:	1/2"
Length:	480mm

KL-0167-15 A

(Code 2877287)

Universal Wrench for Inner Track Rod Joint, Ø 30-43mm

Universally suitable for all inner track rod joints with a spherical head Ø 30mm - 43mm. The ideal tool for Mercedes Sprinter, VW Crafter (Ø 43mm).

This wrench allows the quick and easy removal and installation of the specified inner track rod joints to be performed without the need for removing the complete steering system from the vehicle.

The tool stands out for its special design, the exchangeable roller inserts equipped with high-grade metal rollers and steel cage. The perfect choice for a wide range of applications.

Works on spherical heads with Ø 30mm - 43mm.

Recommended Accessory:

1993 U-20 Reversible ratchet 1/2"

Advantages:

- Universal tool, thanks to its very small outer diameter and large working range 30mm - 43mm.
- High-grade metal rollers and steel cage ensure long service life of the tool.
- Exchangeable roller inserts.



KL-0167-30

(Code 3292754) (German Utility Model)

Eccentric spanner to Remove / Install the Inner Track Rod Joint

Universally suitable for cars and vans, e.g. Audi, BMW, Citroen, Dacia, Ford, Hyundai, Kia, Mazda, Mercedes, Mini, Nissan, Opel/Vauxhall, Peugeot, Porsche, Renault, Seat, Skoda, Toyota, Volvo, VW and many more.

For a quick removal and installation of internal track rod joint or axial joints with a diameter of 30 to 43mm, directly on the vehicle without removing the steering gear.

The unique open design makes it easy to fit the spanner directly onto the track rod without first having to dismantle the outer, usually seized part of the track rod. The outer profile on the track rod or axial joint (e.g. 2-sided, 4-sided, 6-sided or round) is irrelevant. The track rod eccentric spanner is driven by a 1/2" square socket.

Technical Data:

Drive:	1/2"
For Ø:	30-43mm



9 pcs.



KL-0270-31 C

(Code 2221594)

Bit Wrench, Angled, (Reinforced Design), with 8 Bit Inserts

Suitable for Mercedes Toe Adjustment, e.g. on 190 Series (W201), C-Class (W202), C-Class (W203), 200 - 300 E (W124), E-Class (W210, W211), S-Class (W220).

The **KL-0270-31 C** wrench is the ideal tool for setting the toe at the rear axle. Due to its special shape, this tool allows the user to easily and accurately turn the adjusting screw which is particularly hard to access.

Technical Data:

Length:	320mm
Bit Insert:	T30, T40, T45, T50, T55, XZN-8, XZN-10, XZN-12
Bit Insert (height):	20mm
Bit Drive:	5/16"
Weight:	500g

* = reg. trademark of Acument Intellectual Properties, LLC. USA



THE TORQUE MULTIPLIER SERIES LKV, 100 - 2800 Nm

Lightweight, high-performance aluminium housing is 30 % lighter than a steel one



Fixed reaction arm in straight or cranked version



Output square as overload protection for gear unit protection



Supplied with individual GEDORE factory calibration certificate



Series LKV-20L/ 28L



Scope of delivery

- > Device
- > Reaction arm cranked or straight (screwed to the device)
- > Tool box
- > Operating Instructions
- > Factory calibration certificate
- > Torque calculator



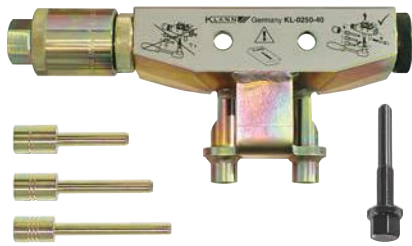
Replacement parts

- > Replacement square drive for LKV-20
- > Replacement square drive for LKV-28



2. Axle Repair

2.2 Support Joints, Bearings and Bushings



5 pcs.



KL-0250-40

(Code 1754483)

Extractor for Clamping Bolt and Ball Joint, Audi A4/VW Passat

Suitable for Audi A4 (until 2000)/VW Passat front axle (until 2005). Designed to remove the upper wishbone pivot pin from the steering knuckle clamping bore.

Alternative tool: VAS 6085



For the quick and professional extraction of the hex clamping bolt and pivot pins, especially when components are corroded/seized in place.

The tool is suitable for both right-hand and left-hand wheel suspensions.

Not only would the technique using hammer, welding torch, angle grinder and drift be time-consuming and arduous, there would also be a risk of damaging steering knuckles, pivot pins and wishbone struts.

Advantages:

- High cost savings.
- Substantial time savings of approximately 2-3 hours.
- No risk of damage to suspension components.

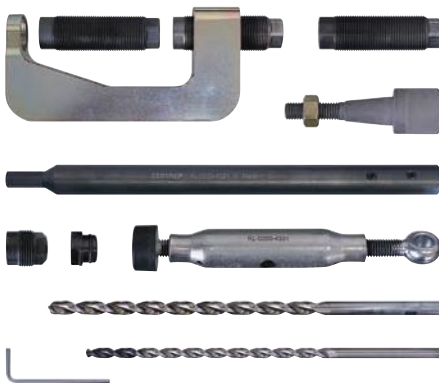
Technical Data:

Weight:	2.4kg
---------	-------



Scope of Delivery: KL-0250-40 Extractor for Clamping Bolt and Ball Joint

Part No.	Description	Qty
KL-0250-4001	Tool Body	1
KL-0250-4002	Thread Adaptor (with large bore)	1
KL-0250-4005	Pressure Screw, M10x1.25x95 mm	1
KL-0250-4011	Housing	1
KL-0250-4012	Pressure Drift I (Length 78 mm)	1
KL-0250-4013	Nut	1
KL-0250-4014	Pressure Drift II (Length 98 mm)	1
KL-0250-4015	Pressure Drift III (Length 118 mm)	1



14 pcs.



KL-0250-43 KA

(Code 3244253)

Drill-Out Tool Kit for Strut Bolts, in a Plastic Storage Case, VW-Audi

Applicable to VW-Audi, SEAT and ŠKODA vehicles with multi-link suspension. For example: VW Passat (3B), Phaeton (3D); Audi A4 (8E, 8H, 8K); A5 (8T, 8F); A6 (4B, 4G, 4F); Q5 (8R), A7 (4GA, 4GF), A8 (4D); SEAT Exeo (3R2, 3R5) and ŠKODA Superb (3U).

For the professional pilot drilling/drilling out of seized/stuck strut clamping bolts having a 16mm waf size on multi-link suspensions. Necessary when changing the upper/lower control arm as well as the track rod end. This tool kit eliminates the need for the cost-intensive replacement of the complete steering knuckle with wheel bearing unit.

In order to prevent damage to the mudguard on vehicles with low-mount steering gear, the steering knuckle needs to be locked in fully turned position by means of the clamping device that comes with the kit.

Scope of Delivery:

KL-0250-43 KA Drill-Out Tool Kit for Strut Bolts, in a Plastic Storage Case

Part No.	Description	Qty
KL-0250-4311 A	Base Tool	1
KL-0250-4313	Drill Sleeve, Ø 7mm	1
KL-0250-4314	Drill Sleeve with recess, Ø 7mm	1
KL-0250-4321 A	Extension, with Grub Screws	1
KL-0250-4322	Twist Drill, Ø 9.5x175x250mm, with clamping surface	1
KL-0250-4323	Twist Drill, Ø 7x155x225mm, with clamping surface	1
KL-0250-4324	Countersink, Ø 12.4mm	1
KL-0250-433	Clamping Device	1
KL-0250-4341	Supplement, Track Rod End	1
119-175	Drift, 6mm	1
42 3	Hex Socket Key, 3mm	1
KL-0250-4390	Plastic Storage Case	1



2.2 Support Joints, Bearings and Bushings

KL-0250-434

[Code 3244288]

Upgrade Kit for KL-0250-43 K to form KL-0250-43 KA

This kit is intended as a supplement to the **KL-0250-43 K** Drill-Out Tool Kit for Strut Bolts. The combination of both sets provides you with all the tools of the **KL-0250-43 KA** kit.



KL-0326-161 E

[Code 2842807]

Hydraulic Press Tool Set, without Drive, in a Foam Insert

Universally suitable for lower/upper suspension ball joints.

Particularly suitable for use on Mercedes W201 (190 Series), W124 (E-Class), W211 (E-Class), W219 (CLS), W220 (S-Class), W230 (SL) and VW T4 (suspension ball joint, front axle) and Mercedes W163 (M-Class) (suspension ball joint, front and rear axle), Mercedes W211 (E-Class), W219 (CLS), W220 (S-Class), W230 (SL) (upper ball joint, front axle).

The **KL-0326-161 E** hydraulic press tool set is designed for enabling lower and upper ball joints to be pressed into and pressed out of the lower wishbone quickly and without any trouble. Removal and installation of the ball joints can sometimes also be carried out in situ on the vehicle within just a few minutes without the need for dismantling the wishbone.

Required Drive Parts:

KL-0040-2500 Hydraulic Cylinder (17t), **KL-0215-35 M25** Hydraulic Pump, **KL-0039-1930** Pressure Spindle

Tool Storage System: KL-4999-1393 - Plastic Storage Case

Scope of Delivery:

KL-0326-161 E Hydraulic Press Tool Set, without Drive, in a Foam Insert

Part No.	Description	Qty
KL-0039-1634	Pressure/Support Sleeve, short, Ø 34/26mm	1
KL-0039-1640	Pressure/Support Sleeve, short, Ø 40/32mm	1
KL-0039-1642	Pressure/Support Sleeve, short, Ø 42/34mm	1
KL-0039-1650	Pressure/Support Sleeve, short, Ø 50/42mm	1
KL-0043-8662 A	Sleeve (top), VW T4	1
KL-0326-1000	Press Frame	1
KL-0326-1111	Adaptor Ring 1, with O-Ring	1
KL-0326-1311	Adaptor Ring 3, with O-Ring	1
KL-0326-1312 A	Adaptor Ring 4	1
KL-0326-1313 A	Pressure/Support Sleeve, Ø 60/52mm	1
KL-0326-1314	Pressure/Support Sleeve, Ø 56/48mm	1
KL-0326-1411	Adaptor Ring 5, with O-Ring	1
KL-0350-5102	Pressure Sleeve	1
KL-4999-1319	Foam Insert	1



KL-0326-20

[Code 1827812]

4-Pin Lock Nut Socket, Mercedes

Applicable to Mercedes M-Class (W163).

Alternative tool: W 385 589 00 07 00

For loosening and tightening the suspension ball joint lock nut on the steering knuckle/stub axle.

Recommended Accessory:

1993 U-20 Reversible Ratchet

Technical Data:

Outer diameter:	63mm
Inner diameter:	53mm
Pin width:	7.5mm
Drive:	1/2"
Weight:	360g



2. Axle Repair

2.2 Support Joints, Bearings and Bushings



KL-1340-401

(Code 3249255)

Special Socket, 44mm, PSA

Applicable to screw-in type suspension ball joints having a waf size of 44mm as found at the front axle of Citroën, Peugeot and Toyota vehicles. For example: Toyota PROACE II, PROACE VERSO; Citroën Jumpy III, Spacetourer; Peugeot Expert III.

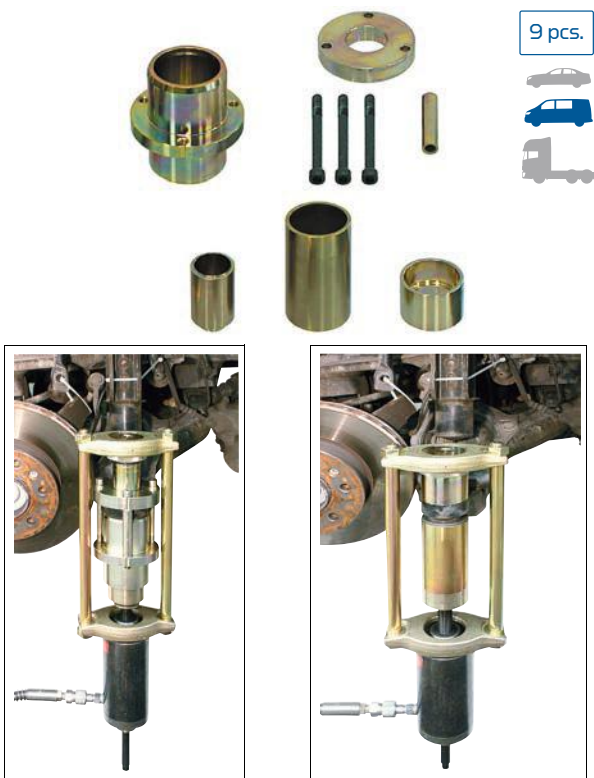
For the professional loosening and tightening of front wishbone screw-in type suspension ball joints. An indispensable tool when replacing damaged or worn suspension ball joints in these applications.

Recommended Accessory:

1993 U-20 Reversible Ratchet 1/2"

Technical Data:

Waf size:	44mm
Drive:	1/2"
Length:	85mm
Profile:	special hex profile



9 pcs.



KL-0039-7533

(Code 2489708)

Sleeve Set, Mercedes Sprinter/VW Crafter

Applicable to lower ball joints on front axle wishbones as found in: Mercedes Sprinter (W901, W902, W903, W904, W906, W907) as well as VW Crafter (2E/2F), VW LT (2D).

Used in conjunction with the necessary drive parts, the sleeve set enables the suspension ball joints to be quickly and properly pressed out/into the lower wishbone in situ on the vehicle.

No need to dismantle and re-install the wishbone!

Necessary Drive Parts (cf. Chapter Drives):

Hydraulic Drive:

KL-0040-2500 Hydraulic Cylinder (17t), **KL-0215-35 M25** Hydraulic Pump, **KL-0039-1930** Pressure Spindle (M20x350), **KL-0039-1002** Adaptor, **KL-0039-1140** Press Frame

Mechanical Drive:

KL-0174-831 Spindle, **KL-0039-1140** Press Frame, **KL-0039-1002** Retaining Adaptor

Scope of Delivery:

KL-0039-7533 Sleeve Set, Mercedes Sprinter / VW Crafter

Part No.	Description	Qty
KL-0039-7534	Support Sleeve with Clamping Washer, Mercedes Sprinter (W906)/VW Crafter (2E/2F)	1
KL-0039-1829	Press Sleeve	1
KL-0039-1762	Press Sleeve, Ø 62mm, long	1
KL-0039-1662	Support Sleeve, Ø 62mm, short	1



2 pcs.



KL-0039-7535

(Code 2489686)

Upgrade Kit for KL-0039-750, Mercedes Sprinter/VW Crafter

Suitable for Mercedes Sprinter (W906, W907) from 2006 onwards and VW Crafter (2E/2F) from 2006 onwards, suspension ball joints on the front lower wishbone.

The upgrade kit **KL-0039-7535** enables the pressing device **KL-0039-750** also to be used on Mercedes Sprinter (W906, W907) models from 2006 onwards and VW Crafter (2E/2F) models from 2006 onwards.

Necessary Accessories:

KL-0039-750 Pressing Device or **KL-0039-7503** Sleeve Set (+ Drive Parts)

Scope of Delivery:

KL-0039-7535 Upgrade Kit for KL-0039-750, Mercedes Sprinter / VW Crafter

Part No.	Description	Qty
KL-0039-1828-1	Support Sleeve for Shoulder Ø 60mm	1
KL-0039-1829	Press Sleeve	1

2.2 Support Joints, Bearings and Bushings

KL-0039-722 (Code 2364565)

Sleeve Set, Upper Suspension Ball Joint, Renault Master II / Opel/Vauxhall Movano I

4 pcs.



Suitable for Renault Master II (1998 onwards) and Opel/Vauxhall Movano I (1998 onwards), front axle upper suspension ball joint.

The sleeve set **KL-0039-722** allows the quick, professional and safe removal and installation of the specified suspension ball joints on the front upper wishbone. This tool enables even heavily corroded ball joints to be pushed out and replaced within just a few minutes.

The removal of the upper wishbone is not necessary.

Necessary Drive Parts (cf. Chapter Drives):

Hydraulic Drive:

KL-0215-35 M25 Hydraulic Pump, **KL-0040-2500** Hydraulic Cylinder (17t), **KL-0039-1140** Press Frame, **KL-0039-1930** Pressure Spindle, **KL-0039-1002** Retaining Adaptor

Mechanical Drive:

KL-0174-831 Mechanical Drive Set, **KL-0039-1140** Press Frame, **KL-0039-1002** Retaining Adaptor

Scope of Delivery:

KL-0039-722 Sleeve Set, Upper Suspension Ball Joint

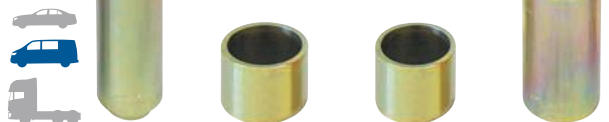
Part No.	Description	Qty
KL-0039-1644	Press/Support Sleeve, short, Ø 44mm	1
KL-0039-1764	Press/Support Sleeve, long, Ø 64mm	1
KL-0039-1820	Support Sleeve for Renault Master	1
KL-0039-1758	Press/Support Sleeve, long, Ø 58mm	1



KL-0039-732 (Code 2364921)

Sleeve Set, Lower Suspension Ball Joint, Renault Master II / Opel/Vauxhall Movano I

4 pcs.



Suitable for Renault Master II (1998 onwards) and Opel/Vauxhall Movano I (1998 onwards).

The **KL-0039-732** sleeve set allows for the quick, professional and safe removal and installation of suspension ball joints on the front lower wishbone.

This tool enables even heavily corroded ball joints to be pushed out and pressed in within just a few minutes.

No need to dismantle the lower wishbone.

Necessary Drive Parts (cf. Chapter Drives):

Hydraulic Drive:

KL-0040-2500 Hydraulic Cylinder (17t), **KL-0215-35 M25** Hydraulic Pump, **KL-0039-1140** Press Frame, **KL-0039-1930** Pressure Spindle, **KL-0039-1002** Retaining Adaptor

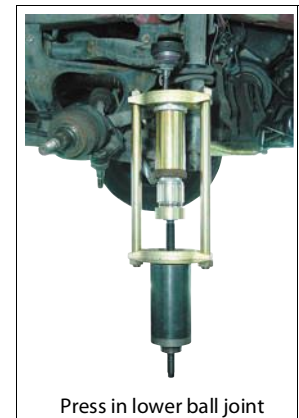
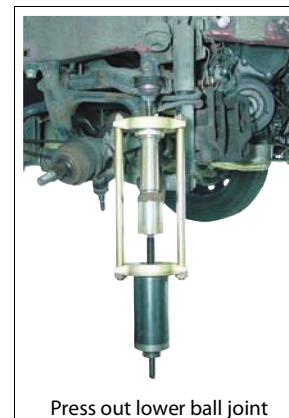
Mechanical Drive:

KL-0174-831 Mechanical Drive Set, **KL-0039-1140** Press Frame, **KL-0039-1002** Retaining Adaptor

Scope of Delivery:

KL-0039-732 Sleeve Set, Lower Suspension Ball Joint

Part-No.	Description	Qty
KL-0039-1821	Press/Support Sleeve	1
KL-0039-1658	Press/Support Sleeve, short, Ø 58mm	1
KL-0039-1652	Press/Support Sleeve, short, Ø 52mm	1
KL-0039-1822	Press/Support Sleeve	1



2. Axle Repair

2.2 Support Joints, Bearings and Bushings



4 pcs.



KL-1210-221

(Code 3123707)

Sleeve Set for Suspension Ball Joint, Renault/Dacia

Suitable for use on the suspension ball joints at the front axle wishbone of Renault and Dacia vehicles. For example, fitted to Renault Clio Grandtour, Clio III, Clio IV, Grand Scénic II, Mégane II, Modus / Grand Modus, Scénic II, Twizy, Zoe; Dacia Logan, Logan Express, Logan MCV, Logan Pick-up, Sandero, Sandero II.

For the quick, safe and professional removal and installation of the suspension ball joint found at front axle wishbones. Removal and installation of the suspension ball joint can be carried out in situ on the vehicle, within a few minutes, without the need for dismantling the wishbone.

Necessary Drive Parts (cf. Chapter Drives):

Hydraulic Drive:

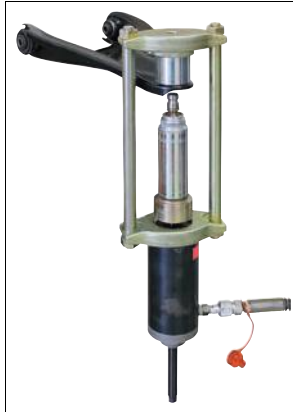
KL-0040-2500 Hydraulic Cylinder (17t), **KL-0215-35 M25** Hydraulic Pump, **KL-0039-1140** Press Frame, **KL-0039-1930** Pressure Spindle, **KL-0039-1002** Retaining Adaptor

Mechanical Drive:

KL-0174-831 Mechanical Drive Set, **KL-0039-1140** Press Frame, **KL-0039-1002** Retaining Adaptor

Scope of Delivery: KL-1210-221 Sleeve Set for Suspension Ball Joint, Renault/Dacia

Part No.	Description	Qty
KL-0711-1111	Press Sleeve, short, Ø 38mm	1
KL-0039-1754	Support Sleeve, long, Ø 54/46mm	1
KL-0039-1746	Press Sleeve, long, Ø 46/38mm	1
KL-0039-1654	Support Sleeve, short, Ø 54/46mm	1



Note: Alternatively, the KL-1210-221 sleeve set can also be used in conjunction with an appropriate workshop press.



34 pcs.



KL-0039-413 K

(Code 2828286)

Pulling Device for Silentbloc (Mechanical Drive)

Universally suitable for silentblocs/joint bushes with Ø 30-73mm.

The **KL-0039-413 K** pulling device allows for the quick, safe and professional removal and replacement of silentblocs and joint bushes.

The mechanical drive included in the set is designed for the extraction of silentblocs and joint bushes having an internal bore Ø not smaller than 10mm.

Thanks to the possibility to easily upgrade the tool set with other parts of the **KL-0039-.. Series** such as centring and pressure rings or press/support sleeves, the pulling device covers a wide field of applications; for example, it allows the user to change wheel bearings as well.

A hydraulic drive from GEDORE AUTOMOTIVE (available as accessories) can be used if silentblocs are very tight-fitting, stuck, or heavily rusted in place.

The additional use of a press frame also enables the removal and installation of suspension ball joints etc.

Recommended Drive Parts (hydraulic):

KL-0039-2112 Pull Spindle (M12) with quick-action clamping nut, **KL-0039-1002** Retaining Adaptor, **KL-0039-1003** Retaining Adaptor, **KL-0040-2500** Hydraulic Cylinder (17t), **KL-0215-35 M25** Hydraulic Pump

Scope of Delivery:

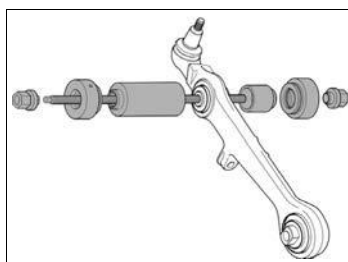
KL-0039-413 K Pulling Device for Silentbloc (Mechanical Drive)

Part No.	Description	Qty
KL-0039-1664	Press/Support Sleeve (short), Ø 64/56mm	1
KL-0039-1666	Press/Support Sleeve (short), Ø 66/58mm	1
KL-0039-1670	Press/Support Sleeve (short), Ø 70/62mm	2
KL-0039-1672	Press/Support Sleeve (short), Ø 72/64mm	2
KL-0039-1744	Press/Support Sleeve (long), Ø 44/36mm	2
KL-0039-1750	Press/Support Sleeve (long), Ø 50/42mm	2
KL-0039-1756	Press/Support Sleeve (long), Ø 56/48mm	1
KL-0039-1762	Press/Support Sleeve (long), Ø 62/54mm	1
KL-0039-1766	Press/Support Sleeve (long), Ø 66/58mm	1
KL-0039-1770	Press/Support Sleeve (long), Ø 70/62mm	1
KL-0039-1774	Press/Support Sleeve (long), Ø 74/66mm	1
KL-0039-1778	Press/Support Sleeve (long), Ø 78/70mm	1
KL-0039-1782	Press/Support Sleeve (long), Ø 82/74mm	1
KL-0039-1784	Press/Support Sleeve (long), Ø 84/76mm	1
KL-0014-0030	Molybdenum Disulphide Paste	1
KL-0039-4139	Press/Support Sleeve (short), Ø 58/50mm	1

Scope of Delivery:

KL-0039-413 K Pulling Device for Silentbloc (Mechanical Drive)

Part No.	Description	Qty
KL-0039-1002	Retaining Adaptor for Clamping Nut M20, with O-Ring	1
KL-0039-1011	Retaining Adaptor for Mechanical Spindle	1
KL-0039-1910-2	Shoulder Nut, M10x1.25	1
KL-0039-1912-2	Shoulder Nut, M12	1
KL-0039-1914-2	Shoulder Nut, M14	1
KL-0039-1916-2	Shoulder Nut, M16	1
KL-0039-2010-1	Pull Spindle, M10x1.25	1
KL-0039-2012-1	Pull Spindle, M12	1
KL-0039-2014-1	Pull Spindle, M14	1
KL-0039-2016-1	Pull Spindle, M16	1
KL-0039-1630	Press/Support Sleeve (short), Ø 30/22mm	1
KL-0039-1640	Press/Support Sleeve (short), Ø 40/32mm	1
KL-0039-1646	Press/Support Sleeve (short), Ø 46/38mm	1
KL-0039-1650	Press/Support Sleeve (short), Ø 50/42mm	1
KL-0039-1654	Press/Support Sleeve (short), Ø 54/46mm	1
KL-0039-1658	Press/Support Sleeve (short), Ø 58/50mm	1



2.2 Support Joints, Bearings and Bushings

KL-0039-160 E (Code 2840723)

Press/Support Sleeve Set, Ø 30-90mm, short, 45mm, in a Foam Insert

Indispensable tool set for pressing in and pressing out silentblocs, shafts, bushings etc. The sleeves are used in conjunction with the tools of the **KL-0039... Series**.

Necessary Drive Parts (cf. Chapter Drives):

Hydraulic Drive:

KL-0040-2500 Hydraulic Cylinder (17t), **KL-0215-35 M25** Hydraulic Pump, **KL-0039-1002** Retaining Adaptor, **KL-0039-1003** Retaining Adaptor, **KL-0039-21.. Series** Pull Spindle (depending on the required spindle diameter)

Hydraulic Press Frame (optional):

KL-0039-1140 Press Frame, **KL-0039-1930** Pressure Spindle

Mechanical Drive:

KL-0039-1011 Retaining Adaptor, **KL-0039-1002** Retaining Adaptor, **KL-0039-22.. Series** Pull Spindle (depending on the required spindle diameter)

Mechanical Press Frame (optional):

KL-0039-1140 Press Frame, **KL-0174-831** Mechanical Drive Set

Tool Storage System:

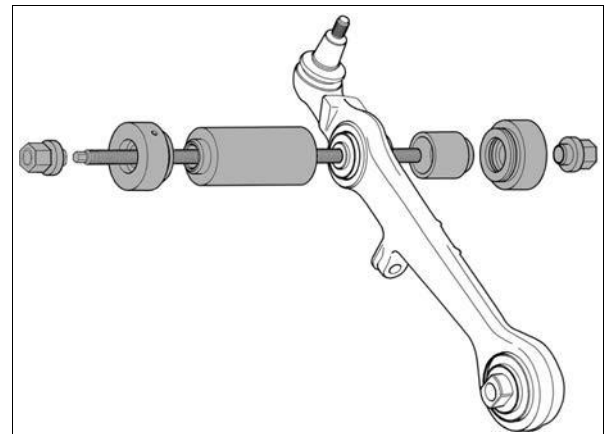
KL-4999-1391 Plastic Storage Case

Scope of Delivery:

KL-0039-160 E Press/Support Sleeve Set, Ø 30-90mm, short, 45mm

Part No.	Description	Qty	Part No.	Description	Qty
KL-0039-1630	Ø 30/22mm	1	KL-0039-1662	Ø 62 / 54 mm	1
KL-0039-1632	Ø 32 / 24 mm	1	KL-0039-1664	Ø 64/56mm	1
KL-0039-1634	Ø 34/26mm	1	KL-0039-1666	Ø 66/58mm	1
KL-0039-1636	Ø 36/28mm	1	KL-0039-1668	Ø 68 / 60 mm	1
KL-0039-1638	Ø 38 / 30 mm	1	KL-0039-1670	Ø 70/62mm	1
KL-0039-1640	Ø 40/32mm	1	KL-0039-1672	Ø 72 / 64 mm	1
KL-0039-1642	Ø 42/34mm	1	KL-0039-1674	Ø 74/66mm	1
KL-0039-1644	Ø 44 / 36 mm	1	KL-0039-1676	Ø 76/68mm	1
KL-0039-1646	Ø 46/38mm	1	KL-0039-1678	Ø 78/70mm	1
KL-0039-1648	Ø 48 / 40 mm	1	KL-0039-1680	Ø 80/72mm	1
KL-0039-1650	Ø 50 / 42 mm	1	KL-0039-1682	Ø 82/74mm	1
KL-0039-1652	Ø 52/44mm	1	KL-0039-1684	Ø 84/76mm	1
KL-0039-1654	Ø 54 / 46 mm	1	KL-0039-1686	Ø 86/78mm	1
KL-0039-1656	Ø 56/48mm	1	KL-0039-1688	Ø 88 / 80 mm	1
KL-0039-1658	Ø 58/50mm	1	KL-0039-1690	Ø 90/82mm	1
KL-0039-1660	Ø 60/52mm	1	KL-4999-1312	Foam Insert	1

31 pcs.



KL-0039-1601 (Code 2355418)

Press/Support Sleeve Set Ø 30-68mm, short, 45mm, with Guide Pins

Indispensable tool set for pressing in and pressing out silentblocs, shafts, bushings etc. The sleeves are used in conjunction with the tools of the **KL-0039... Series**. Including guide pins for clean positioning of silentblocs.

Necessary Drive Parts, see **KL-0039-160 E**.

Scope of Delivery:

KL-0039-1601 Press/Support Sleeve Set (Short Design)

Part No.	Description	Qty
KL-0039-1610	Guide Pin (short), Ø 10mm	1
KL-0039-1612	Guide Pin (short), Ø 12mm	1
KL-0039-1614	Guide Pin (short), Ø 14mm	1
KL-0039-1616	Guide Pin (short), Ø 16mm	1
KL-0039-1630	Press/Support Sleeve (short), Ø A: 30mm, Ø B: 22mm	1
KL-0039-1632	Press/Support Sleeve (short), Ø A: 32mm, Ø B: 24mm	1
KL-0039-1634	Press/Support Sleeve (short), Ø A: 34mm, Ø B: 26mm	1
KL-0039-1636	Press/Support Sleeve (short), Ø A: 36mm, Ø B: 28mm	1
KL-0039-1638	Press/Support Sleeve (short), Ø A: 38mm, Ø B: 30mm	1
KL-0039-1640	Press/Support Sleeve (short), Ø A: 40mm, Ø B: 32mm	1
KL-0039-1642	Press/Support Sleeve (short), Ø A: 42mm, Ø B: 34mm	1
KL-0039-1644	Press/Support Sleeve (short), Ø A: 44mm, Ø B: 36mm	1

24 pcs.



Scope of Delivery:

KL-0039-1601 Press/Support Sleeve Set (Short Design)

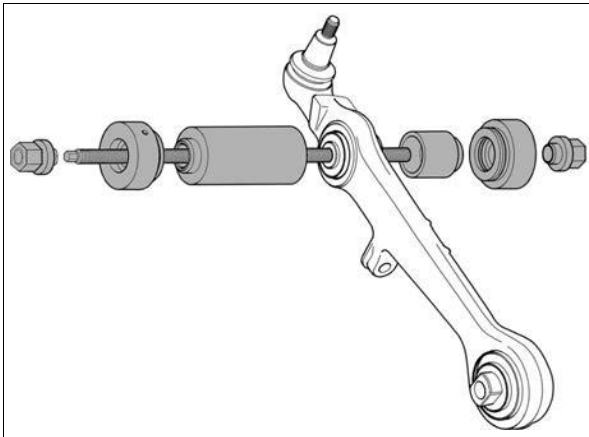
Part No.	Description	Qty
KL-0039-1646	Press/Support Sleeve (short), Ø A: 46mm, Ø B: 38mm	1
KL-0039-1648	Press/Support Sleeve (short), Ø A: 48mm, Ø B: 40mm	1
KL-0039-1650	Press/Support Sleeve (short), Ø A: 50mm, Ø B: 42mm	1
KL-0039-1652	Press/Support Sleeve (short), Ø A: 52mm, Ø B: 44mm	1
KL-0039-1654	Press/Support Sleeve (short), Ø A: 54mm, Ø B: 46mm	1
KL-0039-1656	Press/Support Sleeve (short), Ø A: 56mm, Ø B: 48mm	1
KL-0039-1658	Press/Support Sleeve (short), Ø A: 58mm, Ø B: 50mm	1
KL-0039-1660	Press/Support Sleeve (short), Ø A: 60mm, Ø B: 52mm	1
KL-0039-1662	Press/Support Sleeve (short), Ø A: 62mm, Ø B: 54mm	1
KL-0039-1664	Press/Support Sleeve (short), Ø A: 64mm, Ø B: 56mm	1
KL-0039-1666	Press/Support Sleeve (short), Ø A: 66mm, Ø B: 58mm	1
KL-0039-1668	Press/Support Sleeve (short), Ø A: 68mm, Ø B: 60mm	1

2. Axle Repair

2.2 Support Joints, Bearings and Bushings



31 pcs.



KL-0039-170 E

(Code 2840693)

Press/Support Sleeve Set, Ø 30-90mm, long, 115mm, in a Foam Insert

Indispensable tool set for pressing in and pressing out silentblocks, shafts, bushings etc. The sleeves are used in conjunction with the tools of the **KL-0039-.. Series**.

Necessary Drive Parts (cf. Chapter Drives):

Hydraulic Drive:

KL-0040-2500 Hydraulic Cylinder (17t), **KL-0215-35 M25** Hydraulic Pump, **KL-0039-1002** Retaining Adaptor, **KL-0039-1003** Retaining Adaptor, **KL-0039-21.. Series** Pull Spindle (depending on the required spindle diameter)

Hydraulic Press Frame (optional):

KL-0039-1140 Press Frame, **KL-0039-1930** Pressure Spindle

Mechanical Drive:

KL-0039-1011 Retaining Adaptor, **KL-0039-1002** Retaining Adaptor, **KL-0039-22.. Series** Pull Spindle (depending on the required spindle diameter)

Mechanical Press Frame (optional):

KL-0039-1140 Press Frame, **KL-0174-831** Mechanical Drive Set

Tool Storage System:

KL-4999-1390 Plastic Storage Case

Scope of Delivery:

KL-0039-170 E Press/Support Sleeve Set, Ø 30-90mm, long, 115mm

Part No.	Description	Qty	Part No.	Description	Qty
KL-0039-1730	Ø 30/22mm	1	KL-0039-1762	Ø 62/54 mm	1
KL-0039-1732	Ø 32/24mm	1	KL-0039-1764	Ø 64/56mm	1
KL-0039-1734	Ø 34/26mm	1	KL-0039-1766	Ø 66/58 mm	1
KL-0039-1736	Ø 36/28mm	1	KL-0039-1768	Ø 68/60mm	1
KL-0039-1738	Ø 38/30 mm	1	KL-0039-1770	Ø 70 /62 mm	1
KL-0039-1740	Ø 40/32mm	1	KL-0039-1772	Ø 72/64 mm	1
KL-0039-1742	Ø 42/34mm	1	KL-0039-1774	Ø 74/66mm	1
KL-0039-1744	Ø 44/36 mm	1	KL-0039-1776	Ø 76/68 mm	1
KL-0039-1746	Ø 46/38mm	1	KL-0039-1778	Ø 78/70 mm	1
KL-0039-1748	Ø 48/40mm	1	KL-0039-1780	Ø 80/72mm	1
KL-0039-1750	Ø 50/42mm	1	KL-0039-1782	Ø 82/74mm	1
KL-0039-1752	Ø 52/44 mm	1	KL-0039-1784	Ø 84/76mm	1
KL-0039-1754	Ø 54/46mm	1	KL-0039-1786	Ø 86/78mm	1
KL-0039-1756	Ø 56/48mm	1	KL-0039-1788	Ø 88/80mm	1
KL-0039-1758	Ø 58/50mm	1	KL-0039-1790	Ø 90/82mm	1
KL-0039-1760	Ø 60 / 52 mm	1	KL-4999-1311	Foam Insert	1



24 pcs.



KL-0039-1701

(Code 2357984)

Press/Support Sleeve Set Ø 30-68mm, long, 115mm, with Guide Pins

Indispensable tool set for pressing in and pressing out silentblocks, shafts, bushings etc. The sleeves are used in conjunction with the tools of the **KL-0039-.. Series**. Including guide pins for clean positioning of silentblocks.

Necessary Drive Parts, see **KL-0039-170 E**.

Scope of Delivery:

KL-0039-1701 Press/Support Sleeve Set (Long Design)

Part No.	Description	Qty
KL-0039-1710	Guide Pin (long), Ø 10mm	1
KL-0039-1712	Guide Pin (long), Ø 12mm	1
KL-0039-1714	Guide Pin (long), Ø 14mm	1
KL-0039-1716	Guide Pin (long), Ø 16mm	1
KL-0039-1730	Press/Support Sleeve (long), Ø A: 30mm, Ø B: 22mm	1
KL-0039-1732	Press/Support Sleeve (long), Ø A: 32mm, Ø B: 24mm	1
KL-0039-1734	Press/Support Sleeve (long), Ø A: 34mm, Ø B: 26mm	1
KL-0039-1736	Press/Support Sleeve (long), Ø A: 36mm, Ø B: 28mm	1
KL-0039-1738	Press/Support Sleeve (long), Ø A: 38mm, Ø B: 30mm	1
KL-0039-1740	Press/Support Sleeve (long), Ø A: 40mm, Ø B: 32mm	1
KL-0039-1742	Press/Support Sleeve (long), Ø A: 42mm, Ø B: 34mm	1
KL-0039-1744	Press/Support Sleeve (long), Ø A: 44mm, Ø B: 36mm	1

Scope of Delivery:

KL-0039-1701 Press/Support Sleeve Set (Long Design)

Part No.	Description	Qty
KL-0039-1746	Press/Support Sleeve (long), Ø A: 46mm, Ø B: 38mm	1
KL-0039-1748	Press/Support Sleeve (long), Ø A: 48mm, Ø B: 40mm	1
KL-0039-1750	Press/Support Sleeve (long), Ø A: 50mm, Ø B: 42mm	1
KL-0039-1752	Press/Support Sleeve (long), Ø A: 52mm, Ø B: 44mm	1
KL-0039-1754	Press/Support Sleeve (long), Ø A: 54mm, Ø B: 46mm	1
KL-0039-1756	Press/Support Sleeve (long), Ø A: 56mm, Ø B: 48mm	1
KL-0039-1758	Press/Support Sleeve (long), Ø A: 58mm, Ø B: 50mm	1
KL-0039-1760	Press/Support Sleeve (long), Ø A: 60mm, Ø B: 52mm	1
KL-0039-1762	Press/Support Sleeve (long), Ø A: 62mm, Ø B: 54mm	1
KL-0039-1764	Press/Support Sleeve (long), Ø A: 64mm, Ø B: 56mm	1
KL-0039-1766	Press/Support Sleeve (long), Ø A: 66mm, Ø B: 58mm	1
KL-0039-1768	Press/Support Sleeve (long), Ø A: 68mm, Ø B: 60mm	1

2.2 Support Joints, Bearings and Bushings

KL-0214-221

(Code 2737493)

Pulling Device without Drive, for Double-Type Silentbloc, VW-Audi

Suitable for Audi A3 (8P1), TT (8J3, 8J9) until 06/2010; Seat Altea (5P5, 5P5, 5P8), Leon (1P1), Toledo III (5P2); Škoda Octavia (1Z3, 1Z5) until 12/2010; VW Caddy (2K/2C), EOS (1F7, 1F8), Golf Plus (5M1, 521), Golf V (1K1, 1K5), Golf VI (5K1, AJ5), Jetta (1K2) Touran (1T1, 1T2, 1T3), Passat (3C2, 3C5, 362, 365), Scirocco (137), Tiguan (5N).

The KL-0214-221 pulling device allows the quick and safe removal and installation of assembly carrier double-type silentblocs to be performed in situ on the vehicle. Releasing or removing the assembly carrier from the vehicle as well as follow-up wheel alignments are not necessary.

Necessary Drive Parts (cf. Chapter Drives):

KL-0215-35 M25 Hydraulic Pump, KL-0040-2500 Hydraulic Cylinder, KL-0039-1912-1 Pull Spindle (M12), KL-0039-2112-2 Quick-Action Clamping Nut, KL-0039-1003 Retaining Adaptor

Advantages:

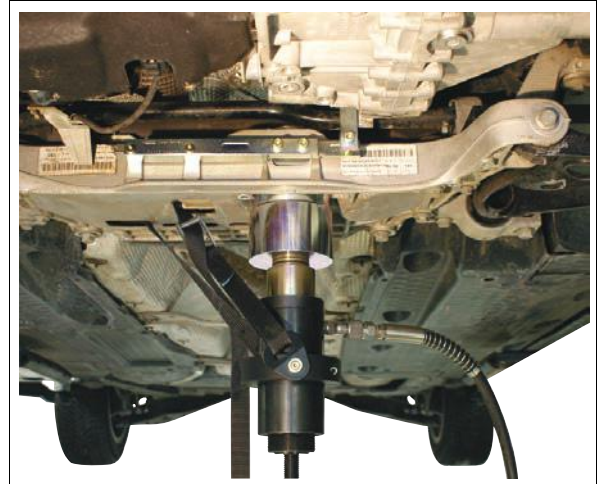
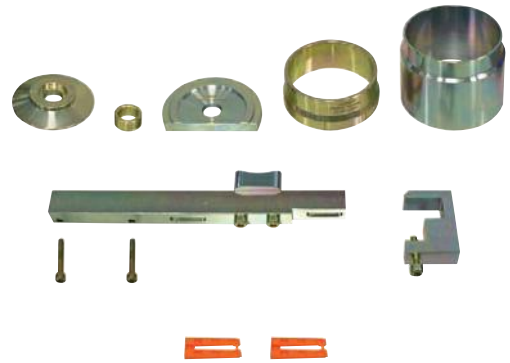
- Substantial time and cost savings.
- Eliminates the need for releasing and removing the assembly carrier from vehicle.
- Eliminates the need for wheel alignment.
- All components are available individually as spare parts.

Scope of Delivery:

KL-0214-221 Pulling Device for Double-Type Silentbloc, VW-Audi, Front Axle

Part No.	Description	Qty
KL-0214-2201	Pressure Piece, Ø 89.5mm	1
KL-0214-2202	Spacer Ring, Ø 30mm	1
KL-0214-2203	Setting Plate	1
KL-0214-2204	Conical Sleeve, Ø 90mm	1
KL-0214-2205	Support Sleeve, Ø 92.7mm	1
KL-0214-2207	Clamping Device	1
KL-0214-2206	Clamp with Screw	1

11 pcs.



KL-0214-240

(Code 3267679)

Double Silentbloc Tool VW

Suitable for double silentblocs on carriers made of steel bent components.

Installed e.g. in VW Golf 7 (AU), Golf Sportsvan (AM, AN), Caddy (2K), Tiguan (AD), Touran (5T); Seat Ateca (KH), Leon (5F); Skoda Karoq (NU), Octavia (5E), Superb (3T).

The double silentbloc tool enables the quick and professional removal and installation of the double silentblocs (silentblocs of the torque arm) directly on the vehicle. It is not necessary to loosen or remove the unit carrier or to carry out a subsequent wheel alignment.*

Required Drive Parts:

Hydraulic Drive:

KL-0039-1912-1 Tension Spindle M12, KL-0039-1003 Mounting Adapter, KL-0040-2500 Hydraulic Cylinder 17t, KL-0215-35 M25 Hydraulic Pump,

Mechanic Drive:

KL-0039-2012-1 Tension Spindle M12, KL-0039-1011 Mounting Adapter, KL-0039-1912-2 Hex Collar Nut M12

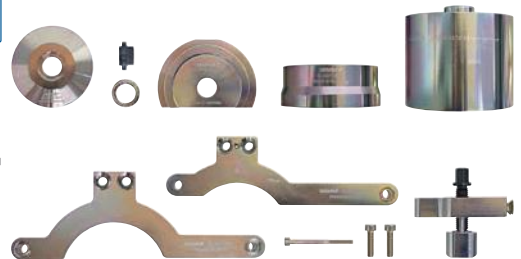
Technical Data:

Max. load:	7t
------------	----

Scope of Delivery: KL-0214-240 Double Silentbloc Tool VW

Part No.	Description	Qty
KL-0039-1912-3	Hex collar nut M12 flat	1
KL-0041-7306	Cheese-head screw M6x70mm	1
KL-0214-2201	Thrust piece, Ø 89.5mm	1
KL-0214-2202	Spacer ring, Ø 30mm	1
KL-0214-2203 A	Position plate	1
KL-0214-2204	Conical sleeve, Ø 90mm	1
KL-0214-2401	Pretensioning device	1
KL-0214-2402	Pretensioning plate A	1
KL-0214-2403	Pretensioning plate B	1
KL-0214-2404	Support sleeve, Ø 98mm	1
KL-1283-1016	Cheese-head screw M8x30mm	2

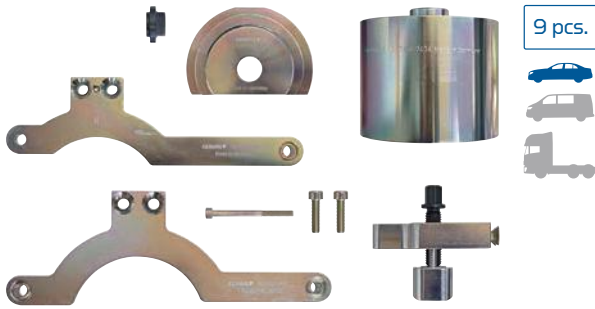
12 pcs.



*Note: Due to the confined space conditions, the carrier must be lowered and corresponding parts loosened on vehicles with all-wheel drive!

2. Axle Repair

2.2 Support Joints, Bearings and Bushings



9 pcs.



KL-0214-241

(Code 3267695)

Supplementary Kit for KL-0214-221

Suitable for double silentbloc on carriers made of steel bent components. For example, installed on VW Golf 7 (AU), Golf Sportsvan (AM, AN), Caddy (2K), Tiguan (AD), Touran (5T); Seat Ateca (KH), Leon (5F); Škoda Karoq (NU), Octavia (5E), Superb (3T).

This supplementary kit enables, in conjunction with the drawing device for double silentblocs - **KL-0214-221**, the quick and professional removal and installation of the double silentblocs (silentblocs of the torque arm) directly on the vehicle. It is not necessary to loosen or remove the unit carrier, or to carry out a subsequent wheel alignment.*

***Note:** Due to the confined space conditions, the carrier must be lowered and corresponding parts loosened on vehicles with all-wheel drive!



Technical Data:

Maximum load:	7t
---------------	----

Scope of Delivery: KL-0214-241 Upgrade Kit to KL-0214-221

Part No.	Description	Qty
KL-0214-2401	Preload Device	1
KL-0214-2402	Preload Plate A	1
KL-0214-2403	Preload Plate B	1
KL-0214-2404	Support Sleeve Ø 98mm	1
KL-0214-2203 A	Setting Plate	1
KL-0041-7306	Hexagon Socket Screw M6x70mm	1
KL-0039-1912-3	Shoulder Nut, M12 (flat)	1
KL-1283-1016	Hexagon Socket Screw M8x30mm	2



4 pcs.



KL-0214-181

(Code 3267695)

Set of Sleeves for Silentbloc VW-Audi

Fits VW Golf V, VI, VII, VIII, Passat (B6), EOS (1F), Scirocco III (13_), Tiguan (5N_), Touran (1T1/2, 1T3, 5T1), T-Roc (A11); Audi A3 (8V, 8Y); Seat Leon (5F); Škoda Octavia (5E3/5/6, NL3, NR3); etc.

For quick and professional removal and installation of the front silentbloc on the front axle wishbone.

Required Drive Parts (See chapter Drives):

Hydraulic Drive:

KL-0040-2500 Hydraulic Cylinder 17t, **KL-0215-35** M25 Hydraulic Pump, **KL-0039-1912-1** Draw Spindle, **KL-0039-2112-2** Quick-Release Nut, **KL-0039-1003** Adapter

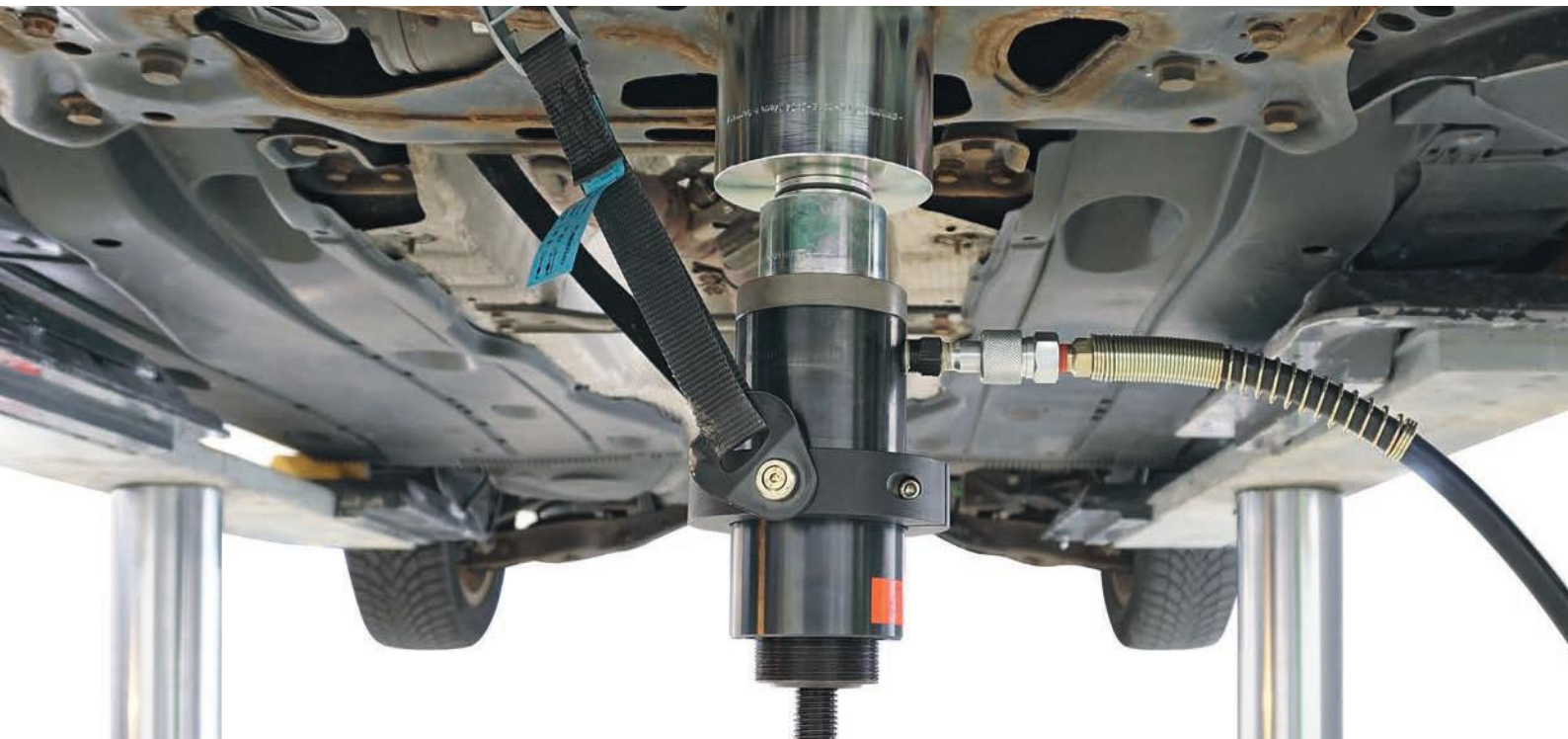
Mechanical Drive:

KL-0039-2212 Spindle with nuts, **KL-0039-1011** Adapter



Scope of Delivery: KL-0214-181 Set of Sleeves, VW Golf V, Passat, Front Axle

Part No.	Description	Qty
KL-0214-1801	Support Sleeve, short, Ø 56mm	1
KL-0214-1802	Conical Sleeve	1
KL-0039-1330	Centring Ring, Ø 30mm	1
KL-0039-1758	Pressure/Support sleeve, long, Ø 58mm	1



2.2 Support Joints, Bearings and Bushings

KL-0220-10 K [Code 2968355] Fixing Tool Kit, VW Assembly Carrier

Suitable for use on assembly carriers/subframes found on VW-Audi, Seat and Škoda.

For example, fitted to Audi A3 (8P), A4 (8E, 8H), TT (8J); VW EOS (1F), Fox (5Z), Golf Plus (1K), Golf V (1K), Jetta (1K), Passat (3C), Passat CC (357), Polo (9N), Scirocco (137), T5 (7J, 7H, 7E, 7F), Touareg (7C), Touran (1T, 9R); Seat Alhambra (71), Altea (5P), AlteaXL (5P), Ibiza (6J), Ibiza / Córdoba (6L), Leon (1P), León (5F), Toledo (5P), Toledo (KG3).

Alternative tool: T10096, T10227

The tools allow for the professional installation/adjustment of assembly carriers (with fixing bolts having an M12x1.5 or M14x1.5 thread). Necessary after maintenance work/repairs where the assembly carrier has been loosened/released, for example, after the replacement of silentblocks, wishbone etc.

8 pcs.



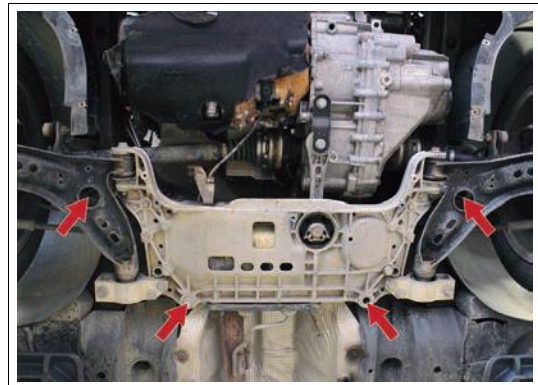
Technical Data:

Max. tightening torque:	20Nm
Fixing bolt thread (KL-0220-101):	M12x1.5
Fixing bolt thread (KL-0220-102):	M14x1.5
Length:	50mm
Drive:	6mm (in-hex)

Scope of Delivery:

KL-0220-10 K Fixing Tool Kit, VW Assembly Carrier

Part No.	Description	Qty
KL-0220-101	Fixing Bolt, M12x1.5	4
KL-0220-102	Fixing Bolt, M14x1.5	4
KL-0220-1090	Plastic Storage Case	1



KL-0043-11 B [Code 2823306] Pulling Device for Joint Bush, Mercedes

Suitable for Mercedes W124, 190 Series (W201), C-Class (W202, W203, W204), CLK (W208, W209), E-Class (W210) and S-Class (W140), rear axle.

Alternative tool: W 140 589 07 43 00, W 201 589 05 43 00, W 202 589 00 43 00

The KL-0043-11 B pulling device enables the fast, simple and safe removal and installation of the joint bushes that are found on rear axle wheel bearing housings, without the need for removing the latter from the vehicle.

5 pcs.



Scope of Delivery:

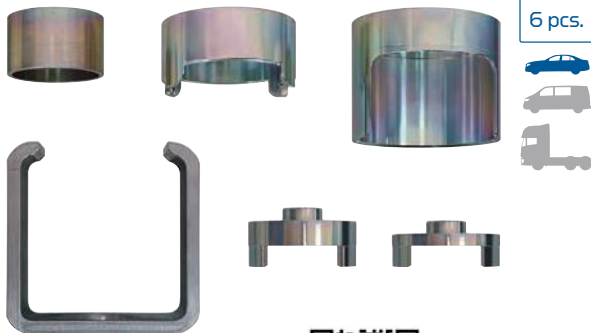
KL-0043-11 B Pulling Device for Joint Bushes, Mercedes

Part No.	Description	Qty
KL-0043-110 A	Housing	1
KL-0043-1102	Spindle	1
KL-0352-1003	Thrust Piece	1
KL-0043-1104	Thrust Piece	1
KL-0043-1105	Shoulder Nut, M14	1



2. Axle Repair

2.2 Support Joints, Bearings and Bushings



6 pcs.



KL-0356-141

(Code 3268071)

Sleeve Kit (W204)

Applicable to the front and rear silentblocs at the rear axle carrier as found in: Mercedes C-Class (W204, S204, C204 [up to vehicle identification number A116835], X204), E-Class (W212, S212) + (C207), CLS (W218), SL (R231 [front silentbloc only]).

Alternative tools: W 204 589 00 43 00, W 205 589 00 43 00

The sleeve kit allows for the quick removal and installation of the front and rear silentblocs from/to the rear axle carrier in situ on the vehicle. Thanks to this tool, the rear axle carrier only needs to be lowered slightly, thus eliminating the need for the time-consuming dismantling of the rear axle carrier.

Required Drive Parts:

Hydraulic Drive:

KL-0215-35 M25 Hydraulic Pump, **KL-0040-2500** Hydraulic Cylinder (17t), **KL-0039-1912-1** Pull Spindle (M12), **KL-0039-2112-2** Quick-Action Clamping Nut (M12), **KL-0039-1003** Retaining Adaptor, for Hydraulic Cylinder

Mechanical Drive:

KL-0039-2012-1 Pull Spindle (M12), **KL-0039-1912-2** Shoulder Nut (M12), **KL-0039-2112-2** Quick-Action Clamping Nut (M12), **KL-0039-1011** Retaining Adaptor

Technical Data:

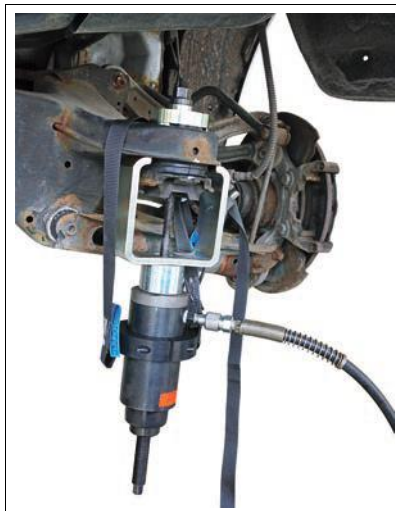
Max. load capacity:	7t
---------------------	----

Scope of Delivery:

KL-0356-141 - Sleeve Kit (W204)

Part No.	Description	Qty
KL-0356-1411	Thrust Piece, Ø 99mm	1
KL-0356-1412	Thrust Piece, Ø 87mm	1
KL-0356-1413	Press/Support Sleeve, Ø 105mm/Ø 85mm	1
KL-0356-1414	Thrust Piece, Ø 80mm	1
KL-0356-1415	Counter-Holder, 93mm	1
KL-0039-1674	Press/Support Sleeve, short, Ø 74mm/Ø 66mm	1

Silentbloc overview



Silentbloc overview



3 pcs.



KL-0356-142

(Code 3274209)

Upgrade Kit, Rear Axle Carrier (W204)

Applicable to the lower spring link silentblocs at the rear axle carrier as found in: Mercedes C-Class (W204, S204, C204, X204), E-Class (W212, S212) + (C207), CLS (W218), SL (R231).

Alternative Tools: W 204 589 04 43 00, W 220 589 01 43 00

Used in conjunction with the **KL-0326-1000** press frame and the necessary drive parts, the upgrade kit allows for the quick removal and installation of the lower spring link silentbloc from/to the rear axle carrier in situ on the vehicle. Thanks to this tool, the time-consuming dismantling of the rear axle carrier is not necessary.

When dismantling the spring link, it occurs quite often that the fixing bolt breaks off inside the silentbloc. As a result, the removal by means of a pull spindle is no longer feasible. The use of our special **KL-0326-1000** press frame in conjunction with the appropriate pressure spindle dispenses with the need for a pull spindle when removing the silentbloc.

Note: Alternatively, the removal of the spring link silentbloc can also be carried out without the use of the **KL-0326-1000** press frame and **KL-0039-1930** Pressure Spindle. In this case, however, the silentbloc must feature a clearance hole and the **KL-0039-1772** support sleeve (accessory) will be needed in addition.

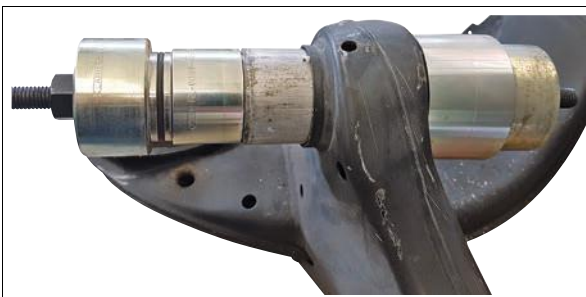
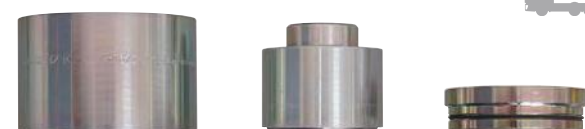
Required Drive Parts:

Hydraulic Drive:

KL-0215-35 M25 Hydraulic Pump, **KL-0040-2500** Hydraulic Cylinder (17t), **KL-0039-1930** Pressure Spindle (M20), **KL-0039-2112-2** Quick-Action Clamping Nut (M12), **KL-0039-1912-1** Pull Spindle (M12), **KL-0039-1003** Retaining Adaptor, **KL-0326-1000** Press Frame

Mechanical Drive:

KL-0174-620 Spindle (M20), **KL-0174-853** Thrust Piece, **KL-0174-547** Adaptor, **KL-0039-2012-1** Pull Spindle (M12), **KL-0039-1912-2** Shoulder Nut, **KL-0039-2112-2** Quick-Action Clamping Nut, **KL-0039-1011** Retaining Adaptor, **KL-0326-1000** Press Frame



Scope of Delivery:

KL-0356-142 Upgrade Kit, Rear Axle Carrier (W204)

Part No.	Description	Qty
KL-0356-1421	Press Sleeve, removal, Ø 50/42mm	1
KL-0039-1672	Press Sleeve, installation, Ø 72/64mm	1
KL-0326-1111	Adaptor Ring 1, with O-Ring	1

2.2 Support Joints, Bearings and Bushings

KL-0610-150 A (Code 2940264)

Pressing Device without Hydraulic Cyl., Silentbloc, Rear Axle, Ford/Volvo

Suitable for the silentblocs that are found at the rear axle trailing arm on: **Ford Galaxy (from 05/2006 onwards), Mondeo (from 2007 onwards), S-Max (from 2006 onwards) and Volvo S60/V60 (134/155), XC 60 (156), S80 (124/144), V70/XC70 (135/136).**

Designed for the quick, safe and professional removal and replacement of the silentblocs that are found on rear axle trailing arms. Removal and installation of the silentblocs can be carried out in situ on the vehicle within just a few minutes, without having to dismount the rear axle trailing arm. The special design and shape of the support ring and pressure sleeve ensure that even seized or heavily corroded silentblocs can be pressed out properly and without any trouble. The tool also facilitates the accurate positioning of the new silentbloc thus ensuring its correct installation.

Technical Data:

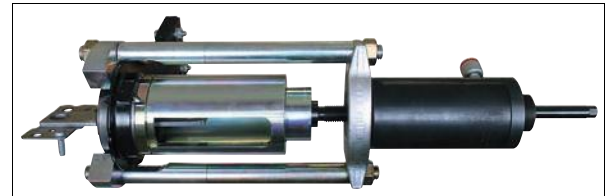
Pressure sleeve outer diameter:	Ø 90mm
Internal length (press frame):	245.5mm
External length (press frame):	332mm

Scope of Delivery: KL-0610-150 A Pressing Device without Hydraulic Cylinder

Part No.	Description	Qty
KL-0610-151 A	Upgrade Kit, Ford/Volvo	1
KL-0039-1144	Base Plate, 2¼"-14 UNS	1
KL-0215-4004	Pull Rod	1
KL-0049-3004	Hex Nut, M18	4

Scope of Delivery: KL-0610-151 A Upgrade Kit, Ford/Volvo

Part No.	Description	Qty
KL-0610-1501-1	Pressure Ring	1
KL-0610-1501-2	Pull Rod Extension	2
KL-0610-1502	Pressure Sleeve, Ford/Volvo	1
KL-0610-1503	Adaptor	1



Necessary Drive Parts (cf. Chapter Drives):

Hydraulic Drive (17t):

KL-0040-2500 Hydraulic Cyl. (17t), **KL-0215-35 M25** Hydr. Pump, **KL-0039-1002** Retaining Adaptor, **KL-0039-1930** Pressure Spindle

Hydraulic Drive (28t):

KL-0040-2800 Hydraulic Cyl. (28t), **KL-0215-35 M28** Hydr. Pump, **KL-0039-1004** Retaining Adaptor, **KL-0040-2855** Adaptor, **KL-0040-2812-1** Draw/Thrust Spindle, **KL-0040-2812-5** Pressure Nut

Mechanical Drive:

KL-0039-1002 Retaining Adaptor, **KL-0174-831** Mechanical Drive Set

KL-0610-131 A (Code 2922509)

Set of Sleeves, Ford/Mazda/Volvo

Suitable for **Ford: Focus I and II, C-MAX, Kuga I, Volvo: C30, S40, V50 (models from 2007 onwards) and Mazda: 3 (BK), 5 (CR19, CW), rear axle trailing arm.**

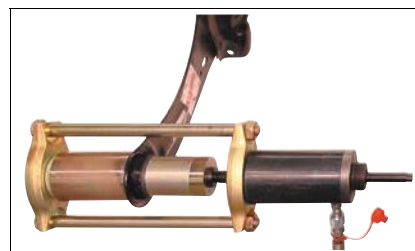
Enables quick and safe removal and installation of the silentbloc found at rear axle trailing arms.

Necessary Drive Parts (cf. Chapter Drives):

KL-0040-2500 Hydraulic Cylinder (17t), **KL-0215-35 M25** Hydraulic Pump, **KL-0039-1140** Press Frame, **KL-0039-1930** Pressure Spindle, **KL-0039-1002** Retaining Adaptor

Scope of Delivery: KL-0610-131 A Set of Sleeves, Ford/Mazda/Volvo

Part No.	Description	Qty
KL-0610-133	Upgrade Set of Sleeves, Ford Focus/Mazda 3	1
KL-0039-1774	Pressure/Support Sleeve, long, Ø 74mm	1



KL-0610-134 (Code 3292789)

Set of Sleeves Ford Focus III (Silentbloc Rear Axles)

Fits on the silentbloc of the rear axle trailing arm of **Ford Focus (III), C-MAX (II), Grand-C-Max (II), Kuga (II), and Volvo V40.**

To press in and out the silentbloc on the rear axle trailing arm rapidly and professionally.

Scope of Delivery: KL-0610-134 Set of Sleeves Ford Focus III

Part No.	Description	Qty
KL-0610-1311 A	Pressure sleeve Ø 59.3 / 52mm (Ford Focus III)	1
KL-0610-1341	Support sleeve Ø 70 / 66.5mm (Ford Focus III)	1



Required Drive Parts (see chapter Drives):

Hydraulic Drive:

KL-0040-2500 Hydraulic Cyl. 17t, **KL-0215-35 M25** Hydr. Pump, **KL-0039-1140** Press Frame, **KL-0039-1930** Thrust Spindle, **KL-0039-1002** Retaining Adapter

Mechanical Drive:

KL-0039-1140 Press Frame (Lightweight, Short Design), **KL-0174-620** Spindle, **KL-0174-547** Adapter, **KL-0174-853** Thrust Piece, **KL-0039-1002** Retaining Adapter

2. Axle Repair

2.3 Wheel Bearings, Wheel Hubs and Drive Shaft



254 pcs.



KL-4999-200 C

(Code 3256332)

Modular Workstation 'MODULO 200 C'

Universal application.

The Mobile Modular Workstation 'MODULO 200 C' combines a sturdy mobile workbench with a cleverly designed modular tool system, thus providing you with a highly functional and mobile workplace equipped with a unique assortment of tools for the fast, organised and cost-effective replacement of wheel bearings, silentblocs, suspension ball joints, bushings etc.

The workbench, with its large and 30mm thick beech multiplex worktop, offers the ideal work surface. Four full-width drawers provide lots of storage space. The lateral push handle and the two smooth-running, ball-bearing-mounted swivel castors (125mm) with total brake, ensure the easy and mobile use of the trolley/workbench. The 4 extra-wide drawers feature a soft-close mechanism and a central lock designed to prevent any unintentional opening. Each of the drawers has a load capacity of up to 70kg and is fully extendable to allow for easy access to the tools. The sophisticated "one-drawer-at-a-time" interlock mechanism prevents the simultaneous opening of several drawers and, as a result, the trolley from tilting/tipping over.

The Modulo includes:

- Hydraulic Drive (17t Hydr. Cyl. and Hydr. Pump)
- Drive Parts (Slide Hammer Puller and various Spindles)
- Press-/Support Sleeves, Ø 30 - 90mm (long and short)
- Pressure Rings, Ø 54 - 96mm and Centring Rings, Ø 25 - 80mm
- Press Frame Kit
- Wheel Hub Puller (mechanical and hydraulic)
- Wheel Hub Bearing Installation Tool Set

Specifications:

- Dimensions: H 985 x W 1200 x D 635mm
- Full-width drawers (W 998 x D 474mm), fully extendable, removable
- Total load capacity in stationary use: 1000kg, in mobile use: 750kg
- Side walls provided with 10x38mm Euro standard perforation for hooks and tool holders
- 2 roller-bearing-mounted GEDORE high-performance wheels (fixed castors with 200mm Ø)
- 2 ball-bearing-mounted GEDORE smooth-running wheels (swivel castors with 125mm Ø), both with total brake
- Sheet steel, corrosion-resistant, scratch-proof powder-coated, GEDORE blue

Scope of Delivery:

KL-4999-200 C Mobile Modular Workstation 'MODULO 200 C'

Part No.	Description	Qty
KL-4999-120 A	Workshop Trolley/Workbench (without tools)	1
KL-0039-191 EA	Spindle/Drive Tool Kit	1
KL-0039-160 E	Press/Support Sleeve Set, Ø 30 - 90mm	1
KL-0039-170 E	Press/Support Sleeve Set, Ø 30 - 90mm	1
KL-0039-1161 E	Press Frame Kit	1
KL-0039-8131 E	Wheel Bearing Tool Set I	1
KL-0039-814 E	Wheel Bearing Tool Set II	1
KL-0174-150 E	Puller Set (KL-0174 Series)	1
KL-0041-380 EA	Wheel Hub Puller	1
KL-0041-480 EA	Wheel Bearing Tool	1
KL-0326-161 E	Hydraulic Press Tool Set	1
KL-0040-2500	Hydraulic Cylinder, 17t	1
KL-4999-1205	MODULO Drawer Divider, 80mm	6
KL-0215-35 M25	Hydraulic Hand Pump, with Pressure Gauge	1

Content Modulo:



2.3 Wheel Bearings, Wheel Hubs and Drive Shaft

KL-4999-2000 C (Code 3285286) Modular Workstation 'MODULO 2000 C'

Universal application.

Description see **KL-4999-200 C**.

Necessary Drive Parts (cf. Chapter Drives):

KL-0040-2500 Hydraulic Cylinder (17t), **KL-0215-35 M25** Hydraulic Pump

Scope of Delivery:

KL-4999-2000 C Mobile Modular Workstation 'MODULO 2000 C'

Part No.	Description	Qty
KL-4999-120 A	Workshop Trolley/Workbench (without tools)	1
KL-0039-191 EA	Spindle/Drive Tool Kit	1
KL-0039-160 E	Press/Support Sleeve Set, Ø 30 - 90mm	1
KL-0039-170 E	Press/Support Sleeve Set, Ø 30 - 90mm	1
KL-0039-1161 E	Press Frame Kit	1
KL-0039-8131 E	Wheel Bearing Tool Set I	1
KL-0039-814 E	Wheel Bearing Tool Set II	1
KL-0174-150 E	Puller Set (KL-0174 Series)	1
KL-0041-380 EA	Wheel Hub Puller	1
KL-0041-480 EA	Wheel Bearing Tool	1
KL-0326-161 E	Hydraulic Press Tool Set	1
KL-4999-1205	MODULO Drawer Divider, 80mm	6

248 pcs.



KL-4999-210 A (Code 3256863) Modular Workstation 'MODULO 210 A'

Universal application.

Description see **KL-4999-200 C**.

Necessary Drive Parts (cf. Chapter Drives):

KL-0040-2500 Hydraulic Cylinder (17t), **KL-0215-35 M25** Hydraulic Pump

Scope of Delivery:

KL-4999-210 A Mobile Modular Workstation 'MODULO 210 A'

Part No.	Description	Qty
KL-4999-120 A	Workshop Trolley/Workbench (without tools)	1
KL-0039-190 EA	Spindle/Drive Tool Kit	1
KL-0039-8131 E	Wheel Bearing Tool Set I	1
KL-0039-814 E	Wheel Bearing Tool Set II	1
KL-0039-160 E	Press/Support Sleeve Set, Ø 30 - 90mm, short	1
KL-0039-170 E	Press/Support Sleeve Set, Ø 30 - 90mm, long	1
KL-4999-1205	MODULO Drawer Divider, 80mm	4

161 pcs.



2. Axle Repair

2.3 Wheel Bearings, Wheel Hubs and Drive Shaft



49 pcs.



KL-8041-100 A

(Code 3005798)

Premium Wheel Bearing Tool Kit Package

Suitable for VW-Audi, BMW, Ford, Seat, Skoda, Opel/Vauxhall etc.

The **KL-8041-100 A** Premium Wheel Bearing Tool Kit Package allows for the quick, precise and safe removal/installation of wheel bearings, wheel hubs, half-shafts and drive shafts. Even wheel bearings that are heavily seized or rusted in place can be removed without any trouble with the aid of the hydraulic cylinder.

Composed of:

KL-0039-0110 K Wheel Bearing Tool Set (with Mechanical Drive)

Application: VW-Audi, BMW, Ford, Seat, Škoda, Opel/Vauxhall, etc. Designed for the quick, safe and professional removal and installation of wheel bearings.

KL-0174-110 Puller Set

Application: VW-Audi, Alfa Romeo, BMW, Fiat, Ford, Mercedes, Opel/Vauxhall, Porsche, Renault, Seat, Škoda, etc. Designed to press out drive shafts mechanically.

KL-0049-31 Slide Hammer Puller (4.8kg), with Adaptor 2¼"-14 UNS to M18

Designed to extract wheel hubs, half-shafts, drive shafts, brake drums etc.

KL-0174-911 Upgrade Kit (Drive Shaft Removal)

Designed to press out drive shafts..

KL-0039-802 Hydraulic Drive Kit without Hydraulic Cylinder

This kit is designed to hydraulically operate the wheel bearing tool sets, indispensable for heavily seized wheel bearings.

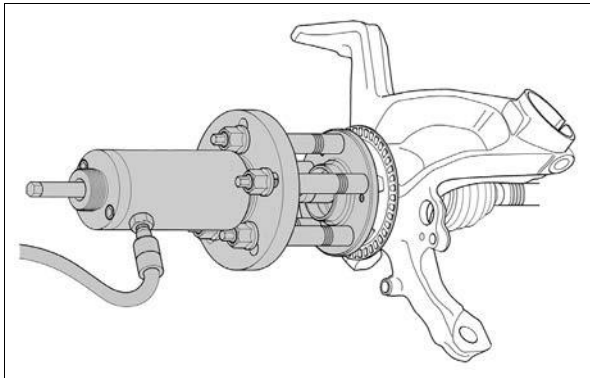
KL-0040-2500 Hydraulic Cylinder, 17t

Thanks to its special design as a hollow piston cylinder, the hydraulic cylinder can be used to perform pulling as well as pushing operations.

Scope of Delivery: KL-8041-100 A Premium Wheel Bearing Tool Kit Package

Part No.	Description	Qty
KL-0174-110	Puller Set	1
KL-0039-0110 K	Wheel Bearing Tool Set (with Mechanical Drive)	1
KL-0049-31	Slide Hammer Puller (4.8 kg), with Adaptor 2¼"-14 UNS to M18	1
KL-0039-802	Hydraulic Drive Kit without Hydraulic Cylinder	1
KL-0040-2500	Hydraulic Cylinder, 17t	1
KL-0174-911	Upgrade Kit (Drive Shaft Removal)	1

Necessary Accessories: KL-0215-35 M25 Hydraulic Pump



25 pcs.



KL-0039-0110 K

(Code 1998056)

Wheel Bearing Tool Set (Mechanical Drive), VW-Audi, BMW, Ford, Seat, Škoda, Opel/Vauxhall

Suitable for VW-Audi, BMW, Ford, Seat, Škoda, Opel/Vauxhall, etc.

Designed for the quick, safe and professional removal and installation of wheel bearings. The unique design of the pressure discs enables safe and accurate centring and alignment when changing a wheel bearing. It ensures that when removing and mounting the wheel bearing, the pressing force will be applied on the outer bearing race only, and that when mounting the wheel hub, the pressing force will be applied only on the inner bearing race. This prevents damage to the new wheel bearing.

The combination of centring rings and pressure rings creates pressure pieces which can be accurately adjusted to the respective bearing Ø.

Alternatively, a hydraulic 17t drive (accessory) can be used if wheel bearings are heavily corroded or seized in place. Thanks to the possibility to easily upgrade the tool set with other parts of the **KL-0039-.. Series** such as centring and pressure rings or pressure/support sleeves, this wheel bearing tool set is virtually universally applicable. It can, for example, also be used to change suspension ball joints and silentbloks.

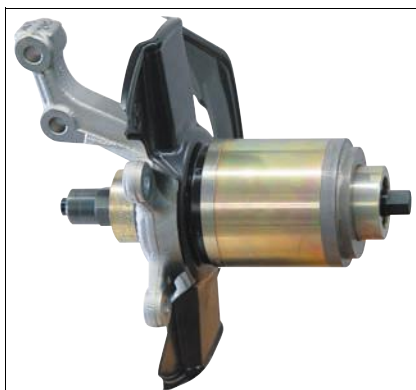
Recommended Accessory (Hydraulic drive):

KL-0040-2500 Hydraulic Cylinder (17t), **KL-0215-35 M25** Hydraulic Pump,

KL-0039-802 Hydraulic Drive Kit

Scope of Delivery: KL-0039-0110 K Wheel Bearing Tool Set (with Mechanical Drive)

Part No.	Description	Qty
KL-0039-140	Housing Set	1
KL-0039-0101	Pressure/Centring Ring Set, (16-piece)	1
KL-0039-1011	Retaining Adaptor for Mechanical Spindle	1
KL-0039-1002	Retaining Adaptor with O-Ring for Clamping Nut and Pressure Spindle	1
KL-0040-3008	Pull Spindle	1
KL-0040-3009	Clamping Nut	1
KL-0039-0119	Plastic Storage Case	1



2.3 Wheel Bearings, Wheel Hubs and Drive Shaft

KL-0039-8131 E (Code 2842742)
Wheel Bearing Tool Set 1 (Base Set),
in a Foam Insert

23 pcs.



Suitable for VW-Audi, BMW, Ford, Seat, Škoda, Opel/Vauxhall etc.

For the quick, safe and professional removal and installation of wheel bearings. The special design of the pressure discs enables safe and accurate centring when replacing a wheel bearing. When removing and mounting the wheel bearing, it ensures that the pressing force will be applied on the outer bearing race only. When installing the wheel hub, it also ensures that the pressing force will only be distributed on the inner bearing race. This prevents damage to the new wheel bearing during installation.

The combination of the centring rings and pressure rings creates pressure pieces which can be adapted to fit accurately the respective bearing Ø.

Necessary Drive Parts (cf. Chapter Drives):

Hydraulic Drive:

KL-0215-35 M25 Hydraulic Pump, **KL-0040-2500** Hydraulic Cylinder (17t), **KL-0039-1002** Retaining Adaptor, **KL-0039-1011** Retaining Adaptor, **KL-0039-2120** Pull Spindle with Quick-Action Clamping Nut

Mechanical Drive:

KL-0039-1002 Retaining Adaptor, **KL-0039-1011** Retaining Adaptor, **KL-0040-3008** Pull Spindle, **KL-0039-2120-2** Quick-Action Clamping Nut

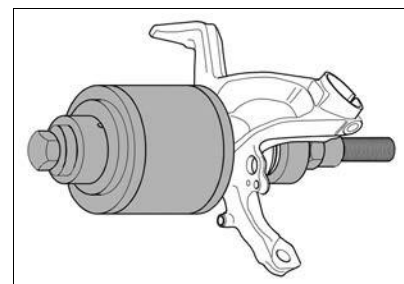
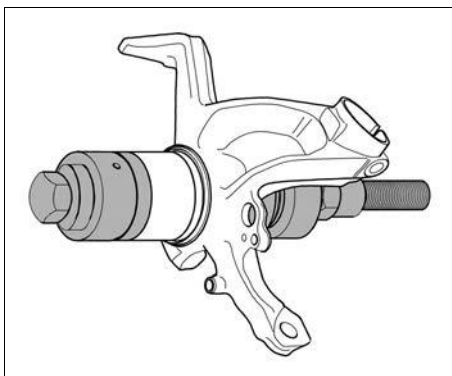
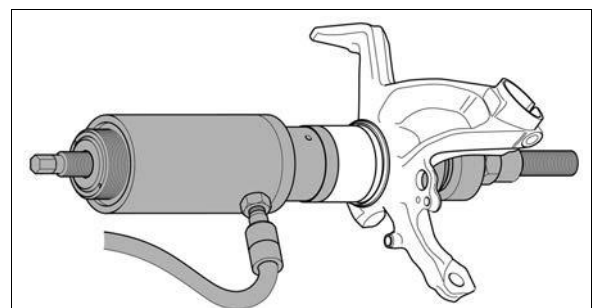
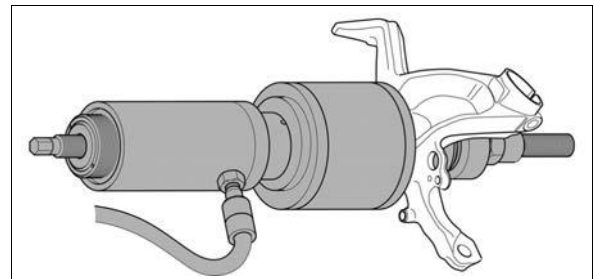
Tool Storage System:

KL-4999-1392 - Plastic Storage Case

Scope of Delivery:

KL-0039-8131 E Wheel Bearing Tool Set 1 (Base Set), in a Foam Insert

Part No.	Description	Qty
KL-0039-1260	Pressure Ring, Ø 60mm	1
KL-0039-1264	Pressure Ring, Ø 64mm	1
KL-0039-1268	Pressure Ring, Ø 68mm	1
KL-0039-1272	Pressure Ring, Ø 72mm	1
KL-0039-1274	Pressure Ring, Ø 74mm	1
KL-0039-1280	Pressure Ring, Ø 80mm	1
KL-0039-1282	Pressure Ring, Ø 82mm	1
KL-0039-1285	Pressure Ring, Ø 85mm	1
KL-0039-1296	Pressure Ring, Ø 96mm	1
KL-0039-1334	Centring Ring, Ø 34mm	1
KL-0039-1338	Centring Ring, Ø 38mm	1
KL-0039-1339	Centring Ring, Ø 39mm	1
KL-0039-1340	Centring Ring, Ø 40mm	1
KL-0039-1341	Centring Ring, Ø 41mm	1
KL-0039-1342	Centring Ring, Ø 42mm	1
KL-0039-1343	Centring Ring, Ø 43mm	1
KL-0039-1345	Centring Ring, Ø 45mm	1
KL-0039-1401	Bearing Cover	1
KL-0039-1402	Housing	1
KL-0039-1413	Centring Ring, Ø 70mm	1
KL-0039-1414	Centring Ring, Ø 75mm	1
KL-0039-1415	Centring Ring, Ø 80mm	1
KL-0039-1506	Centring Ring, Ø 60mm	1
KL-4999-1313	Foam Insert	1



2. Axle Repair

2.3 Wheel Bearings, Wheel Hubs and Drive Shaft



58 pcs.



KL-0039-814 E

[Code 2840901]

Wheel Bearing Tool Set 2, in a Foam Insert

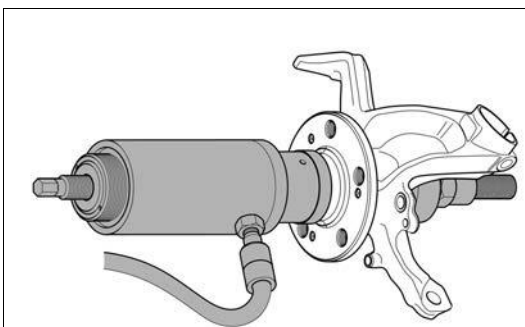
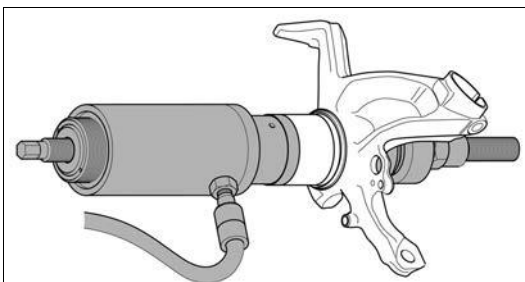
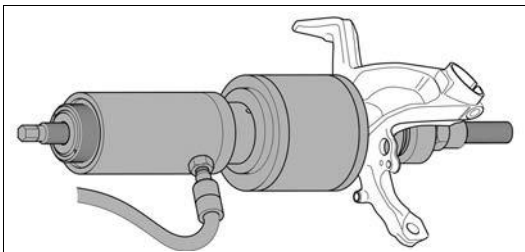
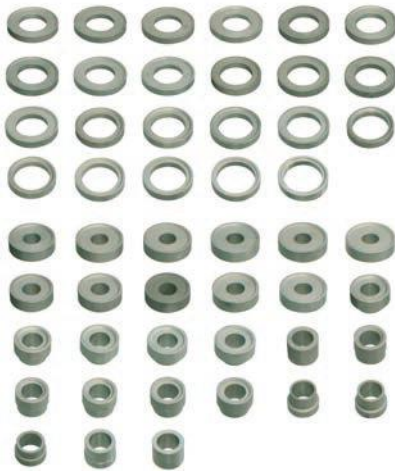
These tools are designed to be used in conjunction with the **KL-0039-8131** tool set and the necessary drive parts, for pressing out and pressing in wheel bearings.

Tool Storage System:

KL-4999-1392 Plastic Storage Case

Scope of Delivery:

KL-0039-814 E Wheel Bearing Tool Set 2, in a Foam Insert



Part No.	Description	Qty
KL-0039-1254	Pressure Ring, Ø 54mm	1
KL-0039-1261	Pressure Ring, Ø 61mm	1
KL-0039-1262	Pressure Ring, Ø 62mm	1
KL-0039-1263	Pressure Ring, Ø 63mm	1
KL-0039-1265	Pressure Ring, Ø 65mm	1
KL-0039-1266	Pressure Ring, Ø 66mm	1
KL-0039-1267	Pressure Ring, Ø 67mm	1
KL-0039-1269	Pressure Ring, Ø 69mm	1
KL-0039-1270	Pressure Ring, Ø 70mm	1
KL-0039-1271	Pressure Ring, Ø 71mm	1
KL-0039-1273	Pressure Ring, Ø 73mm	1
KL-0039-1275	Pressure Ring, Ø 75mm	1
KL-0039-1276	Pressure Ring, Ø 76mm	1
KL-0039-1277	Pressure Ring, Ø 77mm	1
KL-0039-1278	Pressure Ring, Ø 78mm	1
KL-0039-1279	Pressure Ring, Ø 79mm	1
KL-0039-1281	Pressure Ring, Ø 81mm	1
KL-0039-1283	Pressure Ring, Ø 83mm	1
KL-0039-1284	Pressure Ring, Ø 84mm	1
KL-0039-1286	Pressure Ring, Ø 86mm	1
KL-0039-1287	Pressure Ring, Ø 87mm	1
KL-0039-1288	Pressure Ring, Ø 88mm	1
KL-0039-1289	Pressure Ring, Ø 89mm	1
KL-0039-1290	Pressure Ring, Ø 90mm	1
KL-0039-1325	Centring Ring, Ø 25mm	1
KL-0039-1326	Centring Ring, Ø 26mm	1
KL-0039-1327	Centring Ring, Ø 27mm	1
KL-0039-1328	Centring Ring, Ø 28mm	1
KL-0039-1329	Centring Ring, Ø 29mm	1
KL-0039-1330	Centring Ring, Ø 30mm	1
KL-0039-1331	Centring Ring, Ø 31mm	1
KL-0039-1332	Centring Ring, Ø 32mm	1
KL-0039-1333	Centring Ring, Ø 33mm	1
KL-0039-1335	Centring Ring, Ø 35mm	1
KL-0039-1336	Centring Ring, Ø 36mm	1
KL-0039-1337	Centring Ring, Ø 37mm	1
KL-0039-1344	Centring Ring, Ø 44mm	1
KL-0039-1346	Centring Ring, Ø 46mm	1
KL-0039-1347	Centring Ring, Ø 47mm	1
KL-0039-1348	Centring Ring, Ø 48mm	1
KL-0039-1349	Centring Ring, Ø 49mm	1
KL-0039-1350	Centring Ring, Ø 50mm	1
KL-0039-1351	Centring Ring, Ø 51mm	1
KL-0039-1352	Centring Ring, Ø 52mm	1
KL-0039-1353	Centring Ring, Ø 53mm	1
KL-0039-1354	Centring Ring, Ø 54mm	1
KL-0039-1355	Centring Ring, Ø 55mm	1
KL-0039-1356	Centring Ring, Ø 56mm	1
KL-0039-1357	Centring Ring, Ø 57mm	1
KL-0039-1358	Centring Ring, Ø 58mm	1
KL-0039-1359	Centring Ring, Ø 59mm	1
KL-0039-1360	Centring Ring, Ø 60mm	1
KL-0039-1501	Centring Ring	1
KL-0039-1503	Adaptor Ring (conical)	1
KL-0039-1504	Adaptor Ring (conical)	1
KL-0039-1505	Adaptor Ring (cylindrical)	1
KL-0039-1509	Adaptor Ring (cylindrical)	1
KL-0039-1403	Housing	1
KL-4999-1314	Foam Insert	1

2.3 Wheel Bearings, Wheel Hubs and Drive Shaft

KL-0039-1413 [Code 2354578]

Centring Ring, Ø 70mm

For supporting/centring the housing of the wheel bearing tool on the wheel bearing housing (knuckle).



KL-0039-1414 [Code 2354683]

Centring Ring, Ø 75mm

For supporting/centring the housing of the wheel bearing tool on the wheel bearing housing (knuckle).



KL-0039-1415 [Code 2354802]

Centring Ring, Ø 80mm

For supporting/centring the housing of the wheel bearing tool on the wheel bearing housing (knuckle).



KL-0039-807 B [Code 3291154]

Support Ring Set

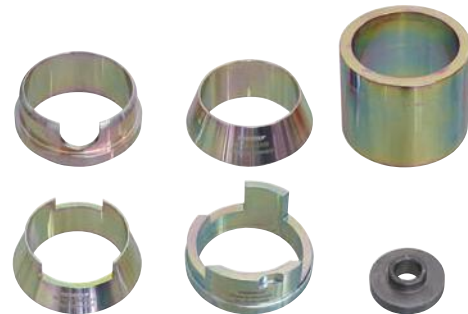
Fits universally for cars and vans.

When removing and installing wheel bearings, there is usually the problem of a very small bearing surface or an uneven bearing surface on the rear of the wheel bearing housing. A support is therefore not possible by the standard housings and centring rings of the **KL-0039-...Series**.

The special support ring kit enables a safe support of wheel bearing housings with a very small contact surface or uneven contact surfaces, for example due to the ABS sensor.

Unevenness on the contact surface on the wheel bearing housing can be easily bridged by means of the special recesses on the support rings.

6 pcs.



Consisting of:

KL-0039-1402 Housing:

Outside-Ø: 104mm
Inside-Ø: 84mm / 90mm
Height: 85mm

KL-0039-1505 Support Ring, Cylindrical:

Outside-Ø 104mm
Inside-Ø: 84mm
Height: 53mm

KL-0039-1503 Support Ring, Conical

Outside-Ø: 99mm
Inside-Ø: 74mm
Height: 39mm

KL-0039-1506 Centring Ring:

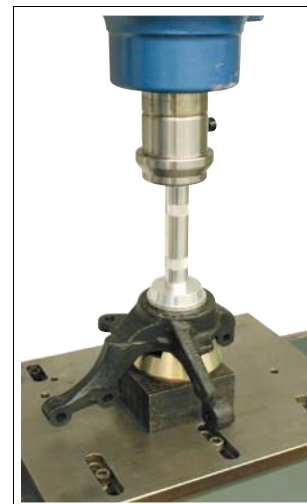
Outside-Ø 60mm
Inside-Ø: 20.5mm
Height: 20mm

KL-0039-1504 Support Ring, Conical:

Outside-Ø: 99mm
Inside-Ø: 74mm
Height: 44mm

KL-0039-1509 Support Ring, Cylindrical:

Outside-Ø 104mm
Inside-Ø: 85mm
Height: 45mm



KL-0192-5 [Code 1811207]

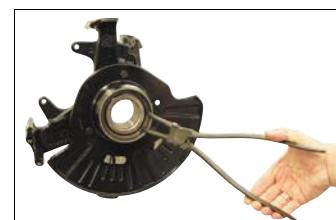
Circlip Pliers, Ø 40-100mm

Due to the 45° angled tips, this tool is ideal for inside circlips. Required for gearbox and wheel bearing repairs.



Technical Data:

Tip Ø:	2.5mm
Length:	220mm
Weight:	220g



2. Axle Repair

2.3 Wheel Bearings, Wheel Hubs and Drive Shaft



KL-0192-6

[Code 1754076]

Circlip Pliers, Ø 85-165mm

The specially designed tips of the pliers (angled at 45°) allow for the trouble-free removal and installation of inner circlips when performing gearbox or wheel bearing repairs.

Technical Data:

Tip-Ø:	3mm
Length:	310mm
Weight:	410g



KL-0039-213

[Code 2362619]

Sleeve Set, Mercedes W639 Rear Axle

Suitable for Mercedes Benz Vito/Viano (W639) rear axle. (bearing external Ø 92mm/internal Ø 50 mm).

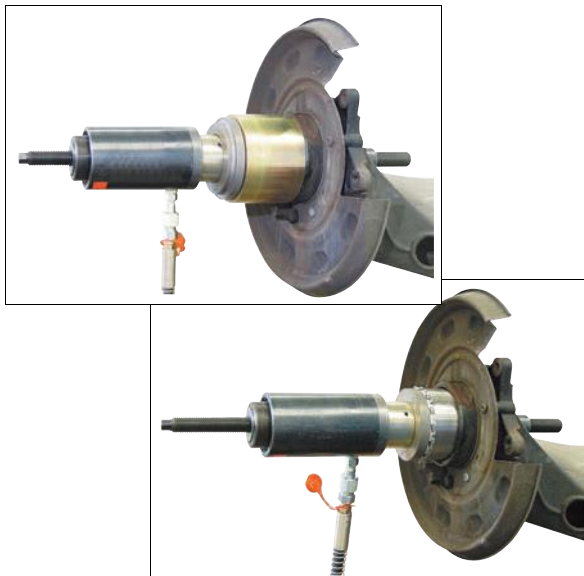
Designed for the quick, safe and professional removal and installation of wheel bearings as well as for the installation of wheel hubs on rear axle wishbones without the need for removing the latter from the vehicle. The special design of the press pieces enables safe and accurate centring and alignment when changing wheel bearings. It ensures that when removing and mounting the wheel bearing, the pressing force will be applied on the outer bearing race only, and that when mounting the wheel hub, the pressing force will be applied only on the inner bearing race. This prevents damage to the new wheel bearing. The combination of centring rings and pressure rings creates press pieces which can be adjusted accurately to the bearing Ø.

Necessary Drive Parts (cf. Chapter Drives):

KL-0215-35 M25 Hydraulic Pump, **KL-0040-2500** Hydraulic Cylinder (17t), **KL-0039-1920** Pull Spindle, **KL-0039-1002** Retaining Adaptor, **KL-0039-1003** Retaining Adaptor

Scope of Delivery: KL-0039-213 Sleeve Set, Mercedes W639 Rear Axle

Part No.	Description	Qty
KL-0039-1270	Pressure Ring, Ø 70mm	1
KL-0039-1273	Pressure Ring, Ø 73mm	1
KL-0039-1350	Centring Ring, Ø 50mm	1
KL-0039-1403	Housing	1
KL-0039-1501	Centring Ring	1
KL-0039-1502	Pressure Ring, Ø 93mm	1
KL-0039-1401	Bearing Cover	1



KL-0192-20 KA

[Code 3027236]

Retaining Ring Removal Tool Set, PSA

Suitable for use on Peugeot and Citroën vehicles equipped with drum brakes at the rear axle; such as Citroën C2 (JM), C3 I (FC), C3 Pluriel (HB), SAXO (S0, S1), XSARA (N1), XSARA Break (Estate Car) (N2), XSARA Coupé (N0); Peugeot 1007 (KM), 106 II (1), 206 Hatchback (2A/C), 206 SW (2E/K), 206+ (T3E), 208, 306 (7B, N3, N5), 306 Convertible (7D, N3, N5), 306 Hatchback (7A, 7C, N3, N5).

Designed for the professional separation/removal of earless-type retaining rings from rear drum brakes with a wheel bearing external Ø of 52mm. Necessary when replacing wheel bearings etc.

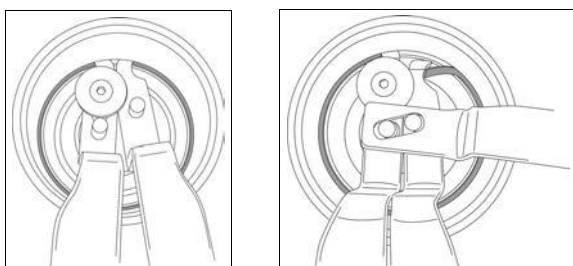
Recommended Accessory:

8314-160 JC Side cutter

Scope of Delivery:

KL-0192-20 KA Retaining Ring Removal Tool Set, PSA

Part No.	Description	Qty
KL-0192-201	Base Tool	1
KL-0192-202	Hook	1
KL-0192-203 A	Pulling Lever	1
KL-0192-204	Punch	1
KL-0192-2090	Plastic Storage Case	1



2.3 Wheel Bearings, Wheel Hubs and Drive Shaft

KL-0041-740 E (Code 2841460)
Wheel Bearing Tool Kit, in a Foam Insert

Suitable for VW-Audi, Seat, Škoda vehicles.

Front axle:

Compact wheel hub bearing units (85mm bearing Ø) on Audi A3 (8P), Škoda Octavia estate car (1Z), VW Eos, Passat (3C), Golf (V), Tiguan and Touran; compact wheel bearings (85mm bearing Ø) on Audi A4 (8E), A4 (8K), A4 RS4 (8D), A5 (8T), A6 (4B), A6 (4F), A6 (4G), A7 (4G), A8 (4H), Q5 (8R); Seat Exeo (3R); VW Phaeton (3D).

Rear axle:

Compact wheel bearings on Audi A4 Quattro (8E), A5 Quattro (8T), A6 Quattro (4G), A7 Quattro (4G), Q5 Quattro (8R).

The **KL-0041-740 E** wheel bearing tool kit enables the quick and trouble-free removal of flanged one-piece compact wheel hub/wheel bearing units (bearing Ø 85mm). It can also be used for the separate removal and installation of wheel hubs and for the removal of mounting flanges from two-piece compact wheel bearings. The removal of the steering knuckle/stub axle is not necessary.

Necessary Drive Parts (cf. Chapter Drives):

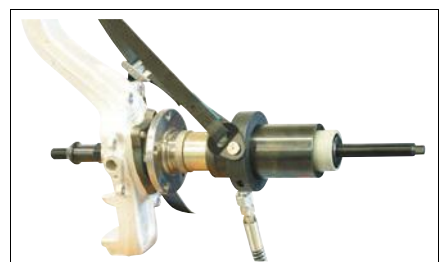
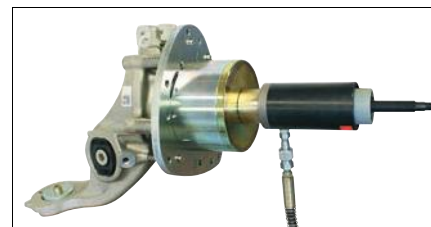
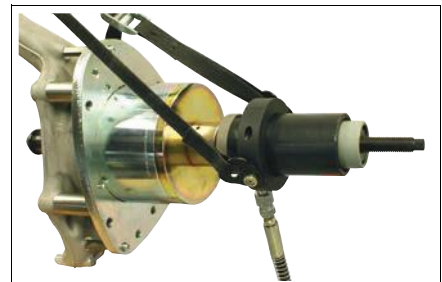
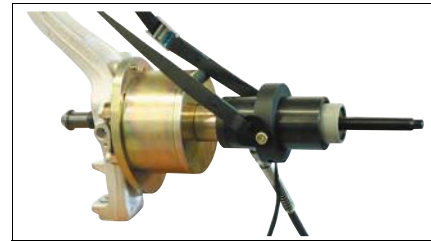
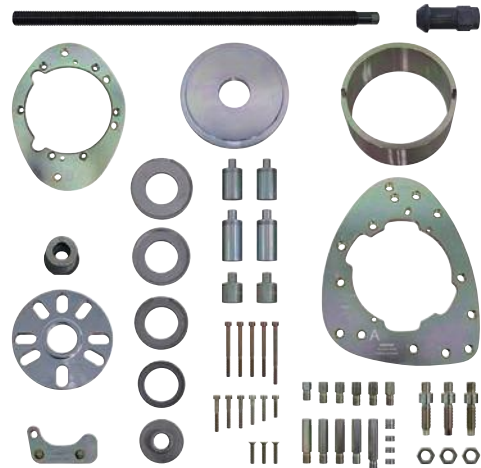
KL-0040-2500 Hydraulic Cylinder (17t), **KL-0215-35 M25** Hydraulic Pump, **KL-0039-1920-1** Pull Spindle, **KL-0039-1002** Retaining Adaptor, **KL-0039-1003** Retaining Adaptor

Scope of Delivery:

KL-0041-740 E Wheel Bearing Tool Kit, in a Foam Insert

Part No.	Description	Qty
KL-0039-1920-4	Clamping Nut, Ø 38mm	1
KL-0041-7101	Cover	1
KL-0041-7102	Support Sleeve with Pins	1
KL-0041-7103	Support Plate	1
KL-0041-7104	Spacer Bolt, M12, 18mm long	3
KL-0041-7105	Spacer Bolt, M12, 11mm long	1
KL-0041-7106	Cheese Head Screw, M6x45mm	1
KL-0041-7107	Cheese Head Screw, M6x35mm	1
KL-0041-7120	Countersunk Screw, M6x30mm	3
KL-0039-1265	Pressure Ring, Ø 65mm	1
KL-0039-1506	Centring Ring, Ø 60mm	1
KL-0041-7206	Spacer Sleeve, 8mm	3
KL-0041-7203	Support Plate	1
KL-0041-7204	Spacer Bolt, M12, 15mm	2
KL-0041-7207	Spacer Sleeve, 14mm	1
KL-0041-7211	Spacer Bolt, M12, 55mm	1
KL-0041-7302	Spacer Bolt, M12, 45mm long	4
KL-0041-7212	Support Bolt, 27.5mm	2
KL-0041-7312	Support Bolt, 57.5mm	2
KL-0041-7313	Support Bolt, 45mm	2
KL-0041-7208	Adaptor	1
KL-0167-1413	Cheese Head Screw, M6x30mm	1
KL-0041-7210	Cheese Head Screw, M6x40mm	2
KL-0041-7306	Cheese Head Screw, M6x70mm	4
KL-0055-0012	Cheese Head Screw, M6x25mm	1
KL-0041-7213	Cheese Head Screw, M6x80mm	1
KL-0039-1275	Pressure Ring, Ø 75mm	1
KL-0039-1282	Pressure Ring, Ø 82mm	1
KL-0039-1290	Pressure Ring, Ø 90mm	1
KL-0039-2020-1	Pull Spindle, M20	1
KL-0041-7301	Perforated Puller Disc	1
KL-0041-7303	Puller Bolt (short), M14x1.5	3
KL-0041-7304	Adaptor	1
KL-0049-2004	Hex Nut, M14	3
KL-4999-1320	Foam Insert	1

55 pcs.



2. Axle Repair

2.3 Wheel Bearings, Wheel Hubs and Drive Shaft



13 pcs.



KL-0040-860

(Code 2372290)

Wheel Bearing Tool Set, Ford Transit

Applicable to all Ford Transit/Tourneo (Models 2000-2006 / 2006-2014 / from 2014-..) with brake disc fixing bolts, pitch circle Ø 97.5mm and 111mm; also suitable for use on the front axle of Tourneo vehicles with front-wheel drive and rear-wheel drive respectively.

The wheel bearing tool set enables wheel bearings on the front axle to be removed and installed quickly and without any trouble. To replace a brake disc or a wheel bearing, it is usually necessary to pull the wheel bearing along with the hub and brake disc from the steering knuckle. Thanks to this tool, the removal and installation of the wheel bearing can be carried out in situ on the vehicle within just a few minutes, without having to dismantle the suspension strut.

Necessary Drive Parts (cf. Chapter Drives):

KL-0040-2800 Hydraulic Cylinder (28t), **KL-0215-35 M28** Hydraulic Pump, **KL-0040-2812-1** Pull/Pressure Spindle (M24x590), **KL-0040-2812-2** Clamping Nut

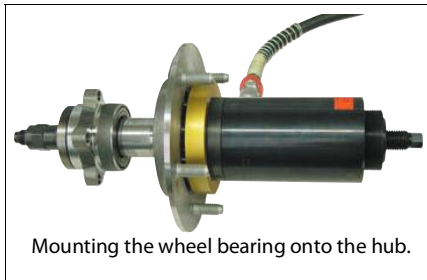
Scope of Delivery: KL-0040-860 Wheel Bearing Tool Set, Ford Transit

Part No.	Description	Qty
KL-0040-8601	Pressure Disc, Ø 77mm	1
KL-0040-8602	Pressure Disc, Ø 68mm	1
KL-0040-8501 A	Pressure Ring	1
KL-0039-1823-4	Cheese Head Screw, M10x120mm	5
KL-0040-8503	Mandrel	5

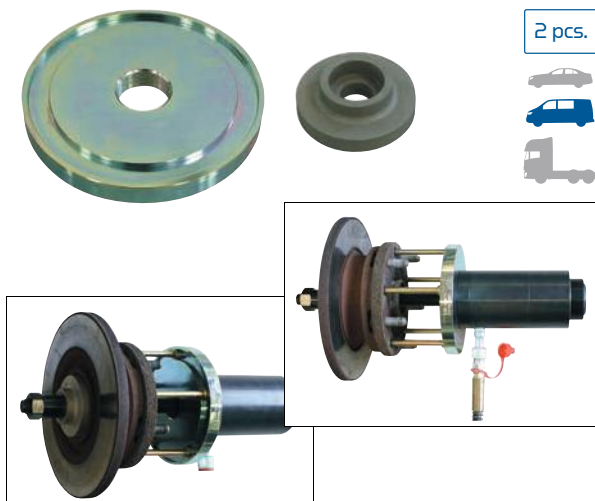
Recommended Accessory:

KL-0040-861 Upgrade Kit, Ford Transit Rear Axle

KL-0040-862 Supplementary Set Ford Transit; Closed Wheel Bearings



Mounting the wheel bearing onto the hub.



2 pcs.



KL-0040-861

(Code 2700972)

Upgrade Kit, Ford Transit Rear Axle

Fits with the front axle on Ford Transit/Tourneo (2000-2006 / 2006-2014 / 2014 onwards) with front-wheel drive and a pitch circle Ø of 160mm of the brake disc fixing bolts.

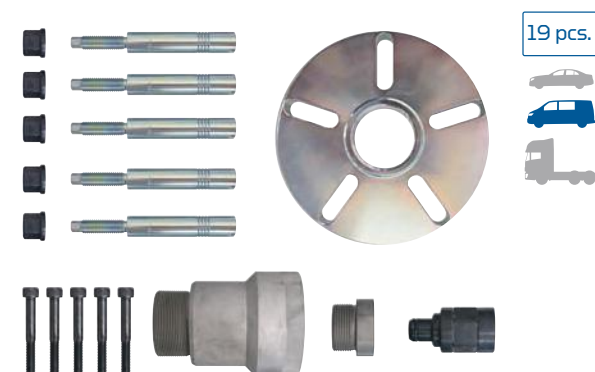
The supplementary kit enables the wheel hub bearing unit on the brake disc of the rear axle to be forced off quickly and professionally. For example, this is required when replacing the wheel bearing and brake discs, as these are located behind the wheel hub.

Required Tool Kit + Drive Parts:

KL-0040-860 Wheel Bearing Tool Set, Ford Transit, **KL-0040-2800** Hydr. Cyl. (28t), **KL-0215-35 M28** Hydraulic Pump, **KL-0040-2812-1** Pull/Pressure Spindle (M24x590), **KL-0040-2812-2** Clamping Nut

Scope of Delivery: KL-0040-861 Upgrade Kit, Ford Transit Rear Axle

Part No.	Description	Qty
KL-0040-8611	Pressure Disc, Ø 93mm	1
KL-0040-8612 A	Pressure Ring, Ø 210mm	1



19 pcs.



KL-0040-862

(Code 3292770)

Upgrade Kit Ford Transit; Closed Wheel Bearings

Fits with the front axle on Ford Transit/Tourneo (2006-2014 / 2014 onwards) with rear-wheel drive and a pitch circle Ø of 97.5mm and 111mm of the brake disc fixing bolts. Particularly suitable for vehicles with wheel bearing units without centre bore in closed design on the front axle.

This supplementary kit enables the removal of the bolted wheel bearing unit with wheel hub and brake disc on the front axle, especially for wheel bearings without centre bore in closed design, and subsequently the removal and pressing in of the wheel hub on the wheel bearing unit. Required, for example, when replacing the wheel bearing and brake discs, as these are located behind the wheel hub.

Scope of Delivery: KL-0040-862 - Upgrade Kit Ford Transit; Closed Wheel Bearings

Part No.	Description	Qty
KL-0174-330	Hole disc size 3 (5-hole)	1
KL-0040-2812-5	Thrust nut M24	1
KL-0040-8621	Thrust adapter	1
KL-0174-572	Adapter 2 1/4" to 2 3/4"	1
KL-0174-764 A	Draw bolt type M, M14x1.5mm	5
KL-0174-701	SK collar nut M14	5
KL-0186-9000-3	Cap screw M10 x 75mm	5

Required Set of Tools + Drive Parts:

KL-0040-860 Wheel Hub Tool Set; Ford Transit,

KL-0040-2800 Hydraulic Cylinder 28t,

KL-0215-35 M28 Hydraulic Pump,

KL-0040-2812-1 Draw/Thrust Spindle M24x590,

KL-0040-2812-2 Tensioning Nut

2.3 Wheel Bearings, Wheel Hubs and Drive Shaft

KL-0041-380 EA (Code 3277631) Wheel Hub Puller, in a Foam Insert

Universally suitable for wheel hub bearing units as well as wheel hubs and wheel bearings having a \varnothing of up to 250mm.

For the quick, safe and accurate removal of wheel hub bearing units as well as wheel hubs and wheel bearings from the wheel bearing housing (knuckle). Thanks to its sturdy design, the wheel hub puller can be subjected to **up to 17 tons**, thus even wheel hub bearing units, wheel hubs and wheel bearings that are bonded, seized or corroded in place are no longer an issue.

Necessary Drive Parts:

Hydraulic Drive:

KL-0215-35 M25 Hydraulic Pump, **KL-0040-2500** Hydraulic Cylinder (17t), **KL-0039-1003** Adaptor, **KL-0039-1920-1** Pull Spindle

Mechanical Drive:

KL-0039-1011 Retaining Adaptor, **KL-0039-2030** Pull Spindle

Mechanical Drive (Forcing off the cardan shaft, for wheel hubs with a flat contact surface at the rear): GEDORE Pressure Spindle **1.2606280KS** (Code:1546910)

Tool Storage System:

KL-4999-1391 Plastic Storage Case

Note:

KL-0041-380 A Wheel Hub Puller

Like the **KL-0041-380 EA**, however, supplied without Foam Insert.

Note:

To prevent the quick-release nut from opening under load, secure it by the collar together with a suitable pressure/support sleeve, an adaptor, or a retaining ring.

Technical Data:

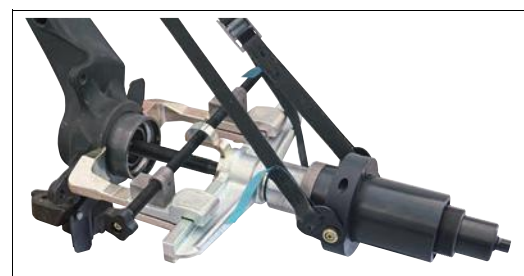
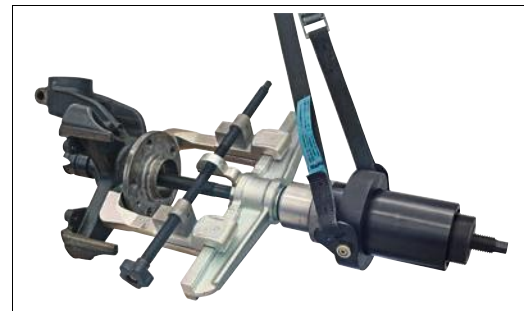
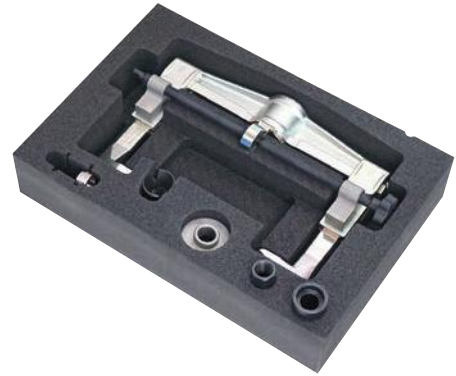
Max. spread:	up to 250mm
Max. load capacity:	17t*
* in conjunction with pressure spindle (1.2606280KS):	7t

Scope of Delivery:

KL-0041-380 EA Wheel Hub Puller, in a Foam Insert

Part No.	Description	Qty
KL-0041-3800 A	Wheel Hub Puller (Base Tool with Adjusting Spindle)	1
KL-0214-2202	Spacer Ring, \varnothing 30mm	1
KL-0041-3812	Clamping Nut, \varnothing 30mm	1
KL-0039-2192	Conical Adaptor, \varnothing 37mm	1
KL-0039-2120-2	Quick-Action Clamping Nut, M20	1
KL-0039-1506	Pressure Ring, \varnothing 60mm	1
KL-4999-1315	Foam Insert	1

6 pcs.



2. Axle Repair

2.3 Wheel Bearings, Wheel Hubs and Drive Shaft



26 pcs.



KL-0041-480 EA

(Code 3126404)

Wheel Bearing Tool Kit, in a Foam Insert

Suitable for vehicles having a bearing \varnothing of 62mm: Audi A2, VW Lupo etc.; bearing \varnothing of 66mm: e.g. VW Polo from 2002 onwards, Škoda Fabia from 2000 onwards etc; bearing \varnothing of 72mm: e.g. Audi A2 from 2000 onwards, Seat Ibiza from 2002 onwards, Škoda Fabia from 2000 onwards, VW Polo from 2002 onwards and Fox, etc; bearing \varnothing of 78mm: e.g. Ford Focus II, C-Max (from 10/2003 onwards); Mazda 3 (from 10/2003 to 06/2009) Volvo C30, C70 II, S40 II, V50; bearing \varnothing of 82mm: e.g. Ford S-Max (from 2006 onwards), Galaxy (from 2006 onwards), Mondeo IV (from 2006 onwards); Volvo S60 II, S80 II, V60, V70 III (from 10/2007 onwards), XC60, XC70 II; bearing \varnothing of 85mm: e.g. VW T5 front and rear axle, VW Touareg / Porsche Cayenne front axle.

The **KL-0041-480 EA** wheel bearing tool kit enables the quick, safe and accurate installation of wheel hub bearing units (both with and without snap ring).

Thanks to its special design, this tool ensures that during the installation process the applied pressing force will only be distributed on the outer bearing race and not on the wheel hub. This prevents damage to the bearing. Professional installation of wheel hub bearing units is almost impossible without the use of this tool set.

Necessary Drive Parts (cf. Chapter Drives):

KL-0040-2500 Hydraulic Cylinder (17t), **KL-0215-35 M25** Hydraulic Pump, **KL-0039-2120** Pull Spindle with Quick-Action Clamping Nut

Recommended Accessory:

KL-0041-380 EA Wheel Hub Puller

Tool Storage System:

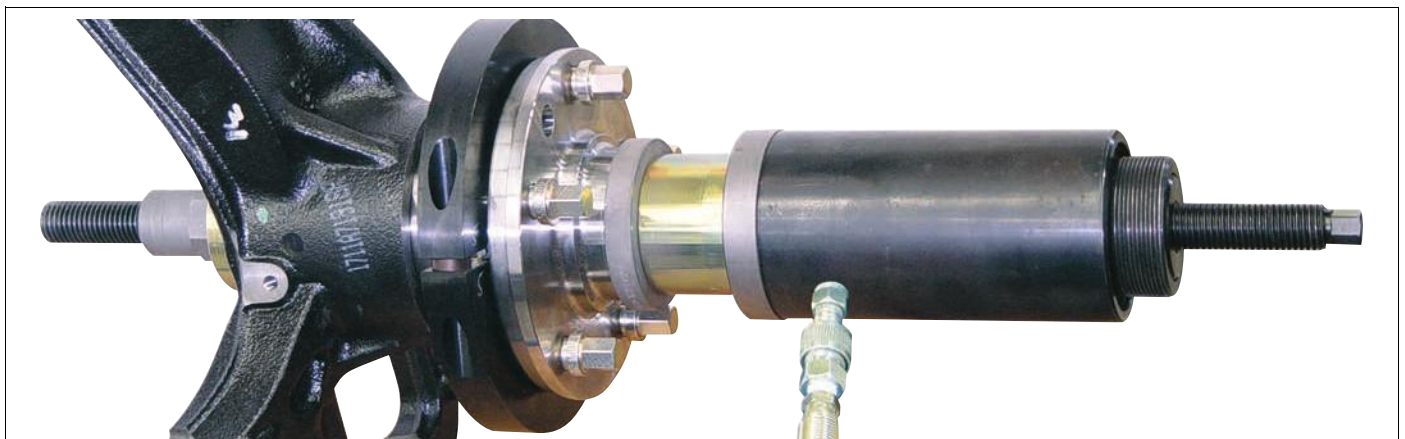
KL-4999-1392 Plastic Storage Case



Scope of Delivery:

KL-0041-480 EA Wheel Bearing Tool Kit, in a Foam Insert

Part No.	Description	Qty
KL-0039-1265	Pressure Ring, \varnothing 65mm	1
KL-0039-1272	Pressure Ring, \varnothing 72mm	1
KL-0039-1273	Pressure Ring, \varnothing 73mm	1
KL-0039-1283	Pressure Ring, \varnothing 83mm	1
KL-0039-1288	Pressure Ring, \varnothing 88mm	1
KL-0039-1289	Pressure Ring, \varnothing 89mm	1
KL-0039-1502	Pressure Ring, \varnothing 93mm	1
KL-0039-1674	Pressure/Support Sleeve, short, \varnothing 74/66mm	1
KL-0039-1682	Pressure/Support Sleeve, short, \varnothing 82/74mm	1
KL-0039-1802	Centring Sleeve, long, \varnothing 27.4mm	1
KL-0039-1803	Centring Sleeve, long, \varnothing 29.7mm	1
KL-0041-3931	Pressure Screw, M14x1.5	5
KL-0041-4400 C	Clamping Shells (Pair), \varnothing 72mm	1
KL-0041-4500 B	Clamping Shells (Pair), \varnothing 85mm	1
KL-0041-4600 D	Clamping Shells (Pair), \varnothing 78mm	1
KL-0041-4601	Pressure/Support Sleeve, long, \varnothing 30/22mm	1
KL-0041-4602	Guide Sleeve, \varnothing 26.3mm	1
KL-0041-4607	Housing	1
KL-0041-4608 D	Cap	1
KL-4999-1317 A	Foam Insert	1



2.3 Wheel Bearings, Wheel Hubs and Drive Shaft

KL-0041-441 C (Code 2985535) Wheel Bearing Installation Tool, Ø 72mm

Suitable for vehicles with bearing Ø of 72mm (both with and without snap ring) [such as SKF bearings] e.g. Audi A2 (form 2000 onwards), Seat Ibiza (from 2002 onwards), Škoda Fabia (from 2000 onwards) and VW Polo (from 2002 onwards), Fox, etc.

The upgrade kit **KL-0041-441 C** enables the quick and safe installation of wheel hub bearing units (both with and without snap ring) without the risk of damaging them. Thanks to its special design, this tool ensures that during the installation process the applied pressing force will only be distributed on the outer bearing race and not on the wheel hub.

This prevents damage to the bearing. Professional installation of wheel hub bearing units is almost impossible without the use of this tool set.

Necessary Drive Parts (cf. Chapter Drives):

KL-0040-2500 Hydraulic Cylinder (17t), **KL-0215-35 M25** Hydraulic Pump, **KL-0039-2120** Pull Spindle with Quick-Action Clamping Nut, **KL-0039-1002** Retaining Adaptor, **KL-0039-1003** Retaining Adaptor

Recommended Accessory:

KL-0041-380 EA Wheel Hub Puller

Technical Data:

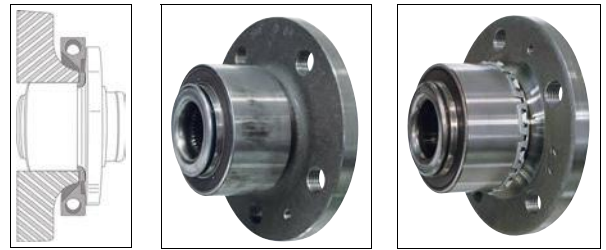
Max. load capacity of pull spindle:	20t
Max. load capacity of hydraulic cylinder:	17t
Weight:	15.8kg

Scope of Delivery:

KL-0041-441 C Wheel Bearing Installation Tool, Ø 82mm

Part No.	Description	Qty
KL-0041-4400 C	Clamping Shells (Pair), Ø 72mm	1
KL-0041-3931	Pressure Screw, M14x15	5
KL-0039-1802	Centring Sleeve, long, Ø 27.4mm	1
KL-0039-1265	Pressure Ring, Ø 65mm	1
KL-0039-1674	Press/Support Sleeve, short, Ø 74mm	1

10 pcs.



KL-0041-451 B (Code 2480239) Wheel Bearing Installation Tool, Ø 85mm

Suitable for vehicles with bearing Ø of 85mm (both with and without snap ring); e.g. VW T5 front and rear axle, VW Touareg und Porsche Cayenne front axle.

The upgrade kit **KL-0041-451 B** enables the quick and safe installation of wheel hub bearing units (both with and without snap ring) without the risk of damaging them. Thanks to its special design, this tool ensures that during the installation process the applied pressing force will only be distributed on the outer bearing race and not on the wheel hub. This prevents damage to the bearing. Professional installation of wheel hub bearing units is almost impossible without the use of this tool set.

Necessary Drive Parts (cf. Chapter Drives):

KL-0040-2500 Hydraulic Cylinder (17t), **KL-0215-35 M25** Hydraulic Pump, **KL-0039-2120** Pull Spindle with Quick-Action Clamping Nut, **KL-0039-1002** Retaining Adaptor, **KL-0039-1003** Retaining Adaptor

Recommended Accessory:

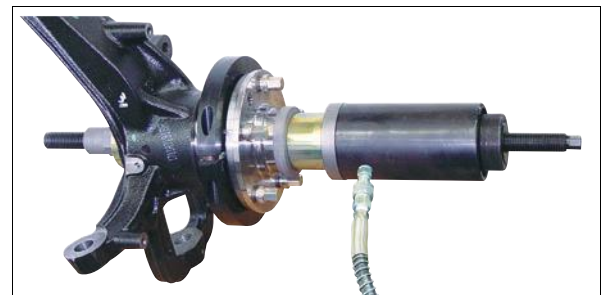
KL-0041-380 EA Wheel Hub Puller

Scope of Delivery:

KL-0041-451 B Wheel Bearing Installation Tool, Ø 85mm

Part No.	Description	Qty
KL-0041-4500 B	Clamping Shells (Pair), Ø 85mm	1
KL-0041-3931	Pressure Screw, M14x1.5	5
KL-0039-1502	Pressure Ring, Ø 93mm	1
KL-0039-1803	Centring Sleeve (long), Ø 29.7mm	1
KL-0039-1273	Pressure Ring, Ø 73mm	1
KL-0039-1283	Pressure Ring, Ø 83mm	1
KL-0039-1289	Pressure Ring, Ø 89mm	1

12 pcs.

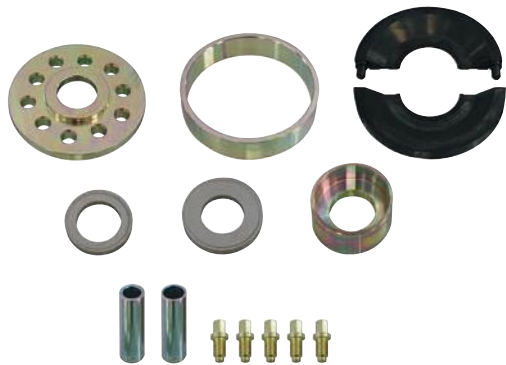


2. Axle Repair

2.3 Wheel Bearings, Wheel Hubs and Drive Shaft



14 pcs.



KL-0041-461 D

(Code 2756544)

Wheel Bearing Installation Tool, Ø 78/82mm

Suitable for vehicles with bearing Ø of 78mm, e.g. Ford Focus II, C-Max (from 10/03 onwards); Mazda 3 (from 10/03 until 06/09) Volvo C30, C70 II, S40 II, V50 and for vehicles with bearing Ø 82mm, e.g. Ford S-Max (from 2006 onwards), Galaxy (from 2006 onwards), Mondeo IV (from 2006 onwards); Volvo S60 II, S80 II, V60, V70 III (from 10/2007 onwards), XC60, XC70 II.

The upgrade kit **KL-0041-461 D** enables the quick and safe installation of wheel hub bearing units without the risk of damaging them.

Thanks to its special design, this tool ensures that during the installation process the applied pressing force will only be distributed on the outer bearing race and not on the wheel hub. This prevents damage to the bearing. Professional installation of wheel hub bearing units is almost impossible without the use of this tool set.

Necessary Drive Parts (cf. Chapter Drives):

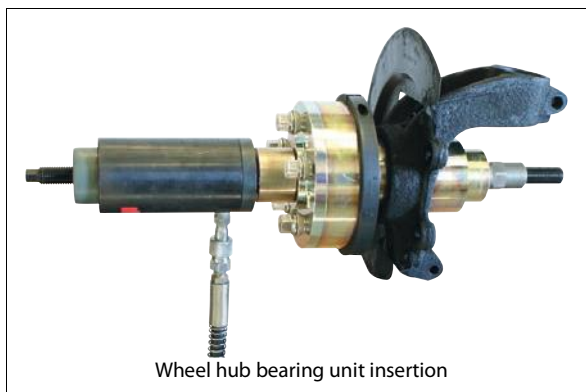
KL-0040-2500 Hydraulic Cylinder (17t), **KL-0215-35 M25** Hydraulic Pump, **KL-0039-2120** Pull Spindle with Quick-Action Clamping Nut, **KL-0039-1002** Retaining Adaptor, **KL-0039-1003** Retaining Adaptor

Recommended Accessory: **KL-0041-380 EA** Wheel Hub Puller

Scope of Delivery:

KL-0041-461 D Wheel Bearing Installation Tool, Ø 78/82mm

Part No.	Description	Qty
KL-0041-4600 D	Clamping Jaws (pair), Ø 78mm	1
KL-0041-4607	Housing	1
KL-0041-4608 D	Cover	1
KL-0039-1288	Pressure Ring, Ø 88mm	1
KL-0041-3931	Pressure Screw, M14x1.5	5
KL-0041-4601	Guide Sleeve, Ø 29.5mm	1
KL-0039-1272	Pressure Ring, Ø 72mm	1
KL-0041-4602	Guide Sleeve, Ø 26.3mm	1
KL-0039-1682	Press/Support Sleeve, short, Ø 82mm	1



34 pcs.



KL-0041-510

(Code 3283690)

Wheel Bearing Tool Kit, Mercedes-Benz Vito/Viano/Sprinter, VW Crafter

Designed for the front axle of Mercedes-Benz Vito/Viano (W639), Sprinter (906), and VW Crafter (2E/2F) vehicles equipped with rear-wheel drive.

For removing and installing wheel hub bearing units at the front axle in situ on the vehicle.

Due to the particular design of these wheel hub bearing units, conventional removal and installation procedures are no longer feasible. This is because the wheel hub comes without a centre bore and, in addition, covers the outer race of the wheel bearing.

The unique composition and design of this tool kit allows the professional replacement of wheel hub bearing units to be performed in situ on the vehicle.

When installing a wheel hub bearing unit, the tool ensures that the pressure is evenly exerted on the bearing outer race only. This eliminates the risk of damaging the wheel bearing.

Necessary Drive Parts (cf. Chapter Drives):

KL-0040-2500 Hydraulic Cylinder (17t), **KL-0215-35 M25** Hydraulic Pump

Tool Storage System:

KL-0041-5090 Plastic Storage Case

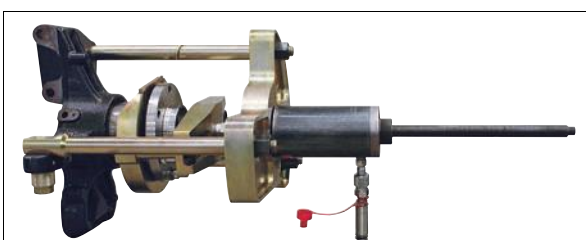
Advantage:

Eliminates the need for follow-up wheel alignments.

Scope of Delivery:

KL-0041-510 Wheel Bearing Tool Kit

Part No.	Description	Qty
KL-0041-501	Wheel Bearing Tool Kit without Cylinder	1
KL-0041-502	Pull/Pressure Plate Kit with Bridge, for Bearing Ø 96mm	1
KL-0041-5030	Upgrade Kit, Pull/Pressure Plate for Bearing-Ø 92mm	1



2.3 Wheel Bearings, Wheel Hubs and Drive Shaft

KL-0041-800 [Code 3087263] Wheel Bearing Tool Set, Iveco Daily

Applicable to the front axle of Iveco Daily VI vehicles (from 2014 onwards) with rear-wheel drive.

Used in conjunction with an appropriate workshop press, the **KL-0041-800** wheel bearing tool set allows for the quick and professional removal and installation of wheel hubs as well as wheel bearing units on the front axle of Iveco Daily vehicles.

Recommended Accessory: KL-0041-803 Holding Fixture

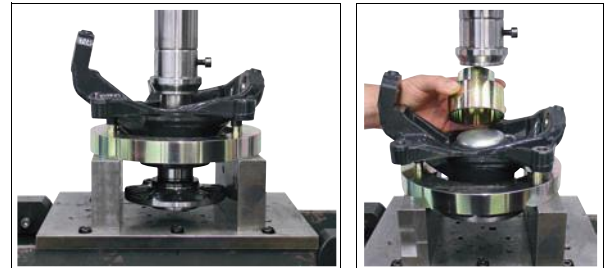
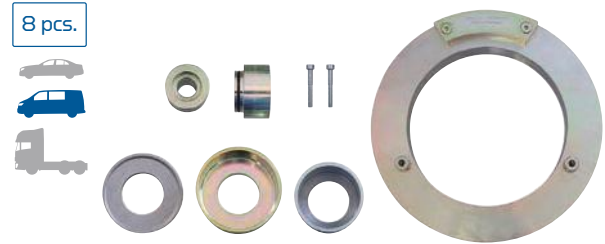
Technical Data:

Max. load capacity:	17t
---------------------	-----

Scope of Delivery:

KL-0041-800 Wheel Bearing Tool Set, Iveco Daily

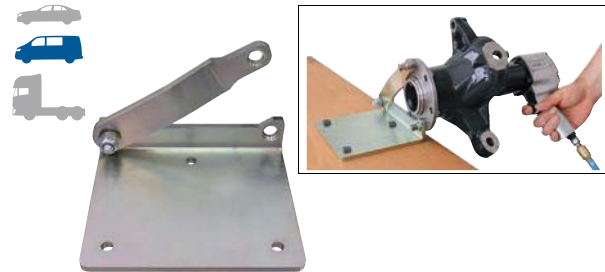
Part No.	Description	Qty
KL-0041-801	Base Plate	1
KL-0041-802	Sleeve Set	1
KL-0041-7106	Cheese Head Screw, M6x45mm	2



KL-0041-803 [Code 3089355] Holding Fixture

Applicable to the front axle of Iveco Daily VI vehicles with rear-wheel drive (from 2014 onwards).

The **KL-0041-803** holding fixture allows the wheel hub to be professionally counter-held while loosening/tightening the central fastening nut. The holding fixture needs to be attached to a workbench suitable for this purpose.



KL-0042-96 K [Code 3077489] Inner Bearing Race Puller Set, with Collets in Size 3, 4, 5, 6

Universally suitable for vehicles with inner bearing race Ø of from 44-60mm; e.g. VW-Audi, Ford, Lancia, Mercedes, Renault, Seat und Škoda etc.

This tool set is designed for the precise removal of inner bearing races from the wheel hub. The removal of the wheel hub usually leaves the inner bearing race on the wheel hub. Without suitable tools, it is almost impossible to remove these inner bearing races properly. Makeshift methods using grinders, chisels and welding torches bear high accident risks such as the risk of severe personal injury or damage to the components. The **KL-0042-96 K** puller set allows inner bearing races with diameters of from 44-60mm to be removed from the wheel hub within just a few minutes.

Recommended Accessory:

KL-0042-9071 - Collet, Size 7 (Ø 60-64mm),

KL-0042-9081 - Collet, Size 8 (Ø 64-68mm),

KL-0042-9091 - Collet, Size 9 (Ø 68-72mm)

Scope of Delivery: KL-0042-96 K Inner Bearing Race Puller Set

Part No.	Description	Qty
KL-0042-900	Inner Bearing Race Puller, base tool	1
KL-0042-9031	Collet, Size 3, Ø 44-48mm	1
KL-0042-9041	Collet, Size 4, Ø 48-52mm	1
KL-0042-9051	Collet, Size 5, Ø 52-56mm	1
KL-0042-9061	Collet, Size 6, Ø 56-60mm	1
KL-0042-9099	Plastic Storage Case	1

Scope of Delivery: KL-0042-900 Inner Bearing Race Puller (base tool)

Part No.	Description	Qty
KL-0042-9001	Clamping Sleeve	1
KL-0042-9002	Handle	1
KL-0042-9004	Special Ring Spanner, with Handle, Size 36mm waf	1
KL-0174-817	Spindle with Pin, M20x1.5x150	1
KL-0174-851	Thrust Piece, Ø 34mm	1
KL-0174-854	Thrust Piece, Ø 48mm	1
KL-0014-0030	Molybdenum Disulphide Paste	1



2. Axle Repair

2.3 Wheel Bearings, Wheel Hubs and Drive Shaft



KL-0042-90..

Collet

This tool set is designed for the precise removal of inner bearing races from the wheel hub.

Necessary Accessories: (included in **KL-0042-96 K**)

KL-0042-900 Inner Bearing Race Puller, base tool

KL-0042-9071

(Code 1878034)

Collet, Size 7

Universally suitable for vehicles with inner bearing race \varnothing of from 60-64mm.

KL-0042-9091

(Code 2374781)

Collet, Size 9

Universally suitable for vehicles with inner bearing race \varnothing of from 68-72mm.

KL-0042-9081

(Code 2374765)

Collet, Size 8

Universally suitable for vehicles with inner bearing race \varnothing of from 64-68mm.



15 pcs.



KL-0174-110

(Code 1957740)

Puller Set

Applicable to: VW-Audi, Alfa Romeo, BMW, Fiat, Ford, Mercedes, Opel/Vauxhall, Porsche, Renault, Seat, Škoda, etc.

Alternative tool: Opel/Vauxhall CH-49400, KM-6282

For mechanically forcing out cardan shafts with the M20 pressure spindle, and for taking off the wheel hub, quick-release axle, etc. with an impact extractor. Even bonded, corroded, or very tight-fitting cardan shafts are no problem due to the optional use of the hydraulic cylinder.

Necessary Drive Parts (removal of wheel hubs):

KL-0049-31 Slide Hammer 4.8kg

Recommended Drive Parts (removal of drive shafts):

Hydraulic Drive:

KL-0215-35 M25 Hydraulic Pump, **KL-0040-2500** Hydraulic Cylinder (17t),

KL-0039-1930 Pressure Spindle, **KL-0039-1935** Thrust Piece,

KL-0174-559 Adaptor

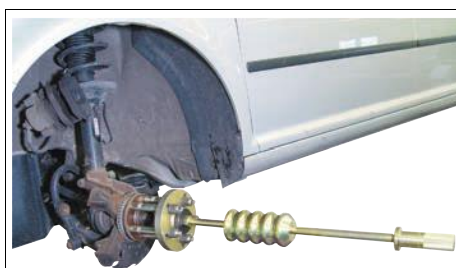
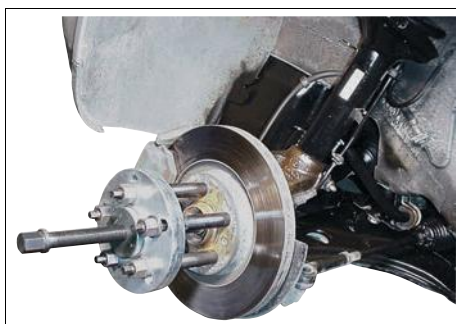
Note:

The universal puller set **KL-0174-110** can easily be upgraded with additional puller discs, adaptors, spindles and puller bolts.

Scope of Delivery:

KL-0174-110 Puller Set

Part No.	Description	Qty
KL-0174-240	Puller Plate, size 2 (3-,4-and 5-hole)	1
KL-0174-723	Puller Bolt, type B, M12x1.5 (l=100)	4
KL-0174-724	Puller Bolt, type B, M14x1.5 (l=100)	4
KL-0174-701	Hex Shoulder Nut, M14	4
KL-0174-547	Adaptor 2¼"-14 UNS to M20x2	1
KL-0174-620	Spindle, M20x2x230	1



2.3 Wheel Bearings, Wheel Hubs and Drive Shaft

KL-0174-150 E (Code 2841029) Puller Set (for Wheel Hubs etc.), in a Foam Insert

Suitable for VW-Audi, Alfa Romeo, BMW, Citroën, Fiat, Ford, Honda, Hyundai, Jeep, KIA, Lancia, Mazda, Mercedes, Mini, Mitsubishi, Nissan, Opel/Vauxhall, Peugeot, Porsche, Renault, Seat, Škoda, Smart, Suzuki, Toyota, Volvo etc.

The Puller Set **KL-0174-150 E** is designed for the removal of drive shafts that are bonded with Loctite or stuck due to corrosion. The use of a slide hammer allows the removal of wheel hubs, brake drums and half shafts to be performed in-situ on the vehicle. Due to various combination possibilities and the use of different puller plates, puller bolts and drives, the field of application of the **KL-0174 Puller Series** is almost universal.

Necessary Drive Parts (removal of drive shafts):

Hydraulic Drive:

KL-0040-2500 Hydraulic Cylinder (17t), **KL-0215-35 M25** Hydraulic Pump, **KL-0039-1930** Pressure Spindle, **KL-0174-856** Thrust Piece

Mechanical Drive: KL-0174-831 Mechanical Drive Set

Necessary Drive Parts (removal of wheel hubs):

KL-0049-31 Slide Hammer

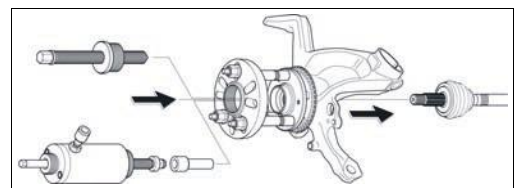
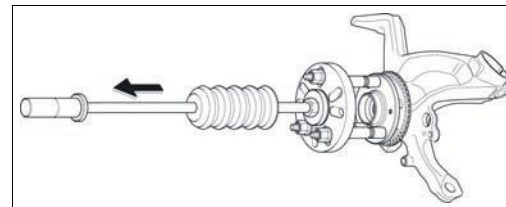
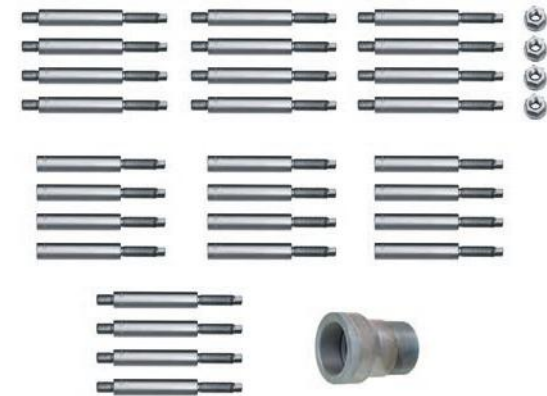
Tool Storage System: KL-4999-1391 Plastic Storage Case

Scope of Delivery:

KL-0174-150 E Puller Set (for Wheel Hubs etc.), in a Foam Insert

Part No.	Description	Qty
KL-0039-1935	Thrust Piece	1
KL-0174-559	Adaptor	1
KL-0174-701	Hex Shoulder Nut M14	4
KL-0174-240	Puller Plate, Size 2 (3-, 4- and 5-hole)	1
KL-0174-722	Puller Bolt Type B, M12x1.25	4
KL-0174-723	Puller Bolt Type B, M12x1.5	4
KL-0174-724	Puller Bolt Type B, M14x1.5	4
KL-0174-727	Puller Bolt Type B, M14x1.25	4
KL-0174-762	Puller Bolt Type M, M12x1.25	4
KL-0174-763	Puller Bolt Type M, M12x1.5	4
KL-0174-764 A	Puller Bolt Type M, M14x1.5	4
KL-4999-1316	Foam Insert	1

35 pcs.



KL-0174-240 (Code 1940740) Puller Plate, Size 2 (3-, 4- and 5-hole)

Component for the assembly of a Puller from the Puller-Series KL-0174-...

The puller plate (size 2) can be assembled to an all-purpose puller system by using different adaptors, spindles, puller bolts, screws and drives.

Technical Data:

Spindle Inner Thread:	2¼"-14 UNS
PCD:	90-130mm
Outer-Ø:	160mm
Fixing Hole Pattern:	2, 3, 4, 5, 6-hole pitch



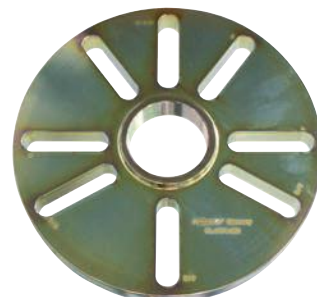
KL-0174-360 (Code 2404176) Puller Plate, Size 3 (3-, 4- and 5-hole)

Component for the assembly of a Puller from the Puller-Series KL-0174-...

The puller plate (size 3) can be assembled to an allpurpose puller-system by using different adaptors, spindles, puller bolts, screws and drives.

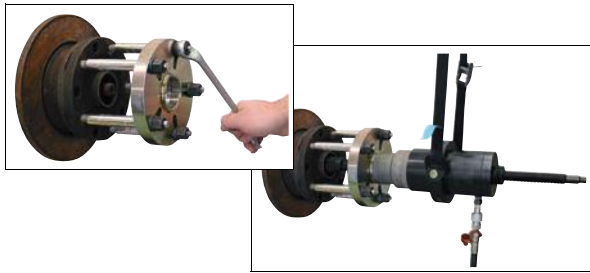
Technical Data:

Spindle Inner Thread:	2¼"-14 UNS
PCD:	100-180mm
Outer-Ø:	220mm
Fixing Hole Pattern:	2, 3, 4, 5, 6-hole pitch



2. Axle Repair

2.3 Wheel Bearings, Wheel Hubs and Drive Shaft



KL-0174-371

(Code 3069680)

Puller Plate Kit, Ford Transit

Applicable to Ford Transit vehicles (model year 2006-2013 + model year 2014-..) equipped with **front-wheel drive**. Suitable for use on front and rear axle (with pitch circle Ø of 160mm).

The hole disc set allows you to quickly and professionally pull a fix wheel hub with brake disc from the kingpin at the rear axle as well as pressing a fix U shaft out of the wheel hub at the front axle. This is for example necessary for renewing the wheel bearing and the brake disc at the rear axle, because these are situated behind the wheel hub. Any work can be carried out directly on the vehicle within a few minutes.

Necessary Drive Parts (cf. Chapter Drives):

KL-0040-2800 Hydraulic Cylinder (28t), **KL-0215-35 M28** Hydraulic Pump, **KL-0040-2812-1** Pull/Pressure Spindle (M24x590), **KL-0040-2812-5** Pressure Nut (M24), **KL-0174-3701** Pressure Piece (short)

Scope of Delivery: KL-0174-371 Puller Plate Kit, Ford Transit

Part No.	Description	Qty
KL-0174-330	Puller Plate, Size 3	1
KL-0174-767	Puller Bolt, Type M, M14 (l=100)	5
KL-0174-701	Hex Shoulder Nut, M14	5
KL-0174-572	Adaptor, 2¼" to 2¾", 28t	1



KL-0174-372

(Code 3292762)

Supplementary Kit for Closed Wheel Bearings, Ford Transit

Fits with the front axle on Ford Trans-it/Tourneo (2006-2014 / 2014 onwards) with **rear-wheel drive** and a pitch circle Ø of 97.5mm and 111mm of the brake disc fixing screws. Particularly suitable for vehicles with **wheel bearing units without centre bore in closed design** on the front axle.

This supplementary kit enables quick and professional removal of the bolted wheel bearing unit with wheel hub and brake disc on the front axle, as well as subsequent removal and insertion of the wheel hub on the wheel bearing unit, [3:especially for closed wheel bearings without centre bore]. For example, this is required when replacing the wheel bearing and brake discs, as these are located behind the wheel hub. All work can be carried out directly on the vehicle within a few minutes. Time-consuming removal and installation of the wheel bearing housing and a subsequent wheel alignment are not necessary.

Scope of Delivery: Supplementary Kit for Closed Wheel Bearings, Ford Transit

Part No.	Description	Qty
KL-0040-8501 A	Thrust ring	1
KL-0040-8621	Thrust adapter	1
KL-0039-1823-4	Cap screw M10 x 12	5
KL-0186-9000-3	Cap screw M10x75	5

Required Set of Tools + Drive Parts:

KL-0174-371 Puller Plate Kit, **KL-0040-2812-1** Spindle M24, **KL-0040-2812-5** Pressure Nut, **KL-0174-3701** Pressure Piece, **KL-0040-2800** Hydraulic Cyl. (28t), **KL-0215-35 M28** Hydr. Pump



KL-0174-513

(Code 2404311)

Adaptor, M42x2 to M16x1.5

Component for the assembly of a Puller from the **KL-0174-...Puller-Series**.



KL-0174-545

(Code 1920685)

Adaptor, 2 1/4"-14 UNS to M18

Component for the assembly of a Puller from the **KL-0174-...Puller-Series**.



KL-0174-547

(Code 1878123)

Adaptor, 2 1/4"-14 UNS to M20x2

Component for the assembly of a Puller from the **KL-0174-...Puller-Series**.

2.3 Wheel Bearings, Wheel Hubs and Drive Shaft

KL-0041-5010 (Code 1878123)

Adaptor, 2 1/4"-14 UNS to M42x2

Component for the assembly of a Puller from the **KL-0174-...**Puller-Series.

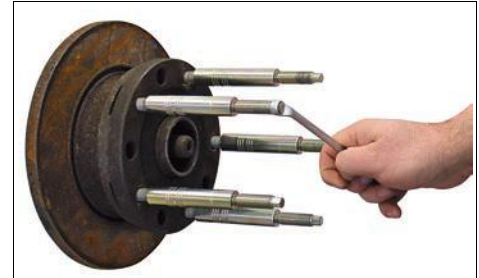


KL-0174-7...

Puller Bolt, Type M, M14x1.5

Technical Data:

Length without thread:	100mm
------------------------	-------



KL-0174-722 (Code 1753746)

Puller Bolt Type B, M12x1.25

Outer thread (Wheel bolt system)



KL-0174-723 (Code 1753754)

Puller Bolt, Type B, M12x1.5

Outer thread (Wheel bolt system)



KL-0174-724 (Code 1753762)

Puller Bolt Type B, M14x1.5

Outer thread (Wheel bolt system)



KL-0174-727 (Code 2404931)

Puller Bolt Type B, M14x1.25

Outer thread (Wheel bolt system)



KL-0174-762 (Code 1982540)

Puller Bolt Type M, M12x1.25

Inner thread (Wheel nut system)



KL-0174-763 (Code 1753797)

Puller Bolt Type M, M12x1.5

Inner thread (Wheel nut system)



KL-0174-764 A (Code 2480964)

Puller Bolt, Type M, M14x1.5

Inner thread (Wheel nut system)



KL-0174-767 (Code 2162261)

Puller Bolt Type M, M14

Inner thread (Wheel nut system)



2. Axle Repair

2.3 Wheel Bearings, Wheel Hubs and Drive Shaft



KL-0115

[Code 2385678]

Wheel Hub Locking Tool

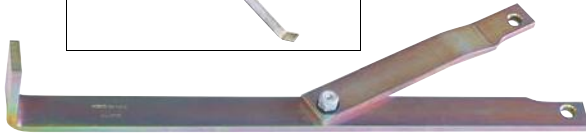
Covers virtually all passenger cars and light commercial vehicles.

Alternative tool: W 136 589 05 31 00, CH-49376, KM-6610

Designed to counter-hold the wheel hub while loosening/tightening the fixing bolts/nuts that are found on front/rear drive shafts or wheel bearings.

Technical Data:

Length:	620mm
---------	-------



KL-4031-3518

[Code 1925385]

Socket XZN-M18

Suitable e.g. for Audi A3, VW Polo, Golf V etc.

Alternative tool: T10162

This tool is designed to loosen and tighten rear axle wheel hub bearing unit fixing bolts.

Recommended Accessory:

KL-4007-311 Swivel Head Breaker Bar, 620mm, 4550-30 Torque Wrench 60-300Nm

Technical Data:

Drive:	1/2"
Profile:	XZN-M18
Length:	78mm



KL-4031-4118

[Code 2941562]

Socket, XZN-M18

Suitable for the wheel bearing central screws found at the rear axle of VW-Audi, Seat and Skoda, e.g. VW Arteon, Beetle, Eos, Golf, Jetta, Passat, Scirocco, Sharan, Tiguan, Touran; Audi A3, Q3, TT; Seat Alhambra, Altea, Leon, Toledo; Skoda Kodiaq, Octavia, Superb, Yeti etc.

Alternative tool: T10162A

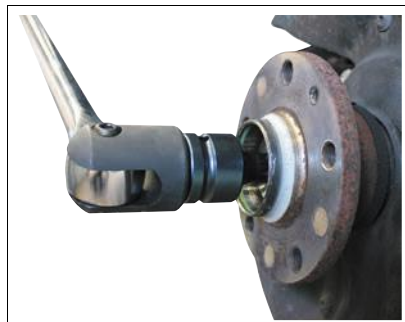
For the loosening and tightening of the wheel bearing central screw (XZN-M18, 3/4") at the rear axle.

Recommended Accessory:

KL-4007-411 Swivel Head Breaker Bar, 980mm, 4550-40 Torque Wrench 80-400Nm

Technical Data:

Drive:	3/4"
Profile:	XZN-M18
Maximum load capacity:	800Nm



KL-4014-4224

[Code 2965917]

Bi-Hex Socket, 24mm

Applicable to VW Arteon, Beetle, Bora, Caddy, Eos, Golf (VI, VII), Jetta, Passat (3C, CC), Scirocco, Sharan, T-ROC, Tiguan, Touran; Audi A1, A3, A4, A5, A6, A7, A8, Q2, Q3, Q5, TT; Seat Alhambra, Ateca, Leon, Toledo, Exeo; Skoda Karoq, Kodiaq, Octavia (1Z), Superb (3T), Yeti etc.

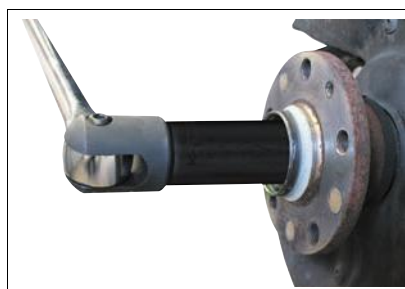
This socket is needed for the loosening/tightening of lock nuts/screws as found on rear and front axle drive shafts, wheel bearings, as well as on gearbox/differential flanges. The ideal tool to loosen/tighten the drive shaft central fastening screw on VW-Audi, Seat, Škoda vehicles.

Recommended Accessory:

KL-4007-411 Swivel Head Breaker Bar, 980mm, 4550-40 Torque Wrench 80-400Nm

Technical Data:

Length:	90mm
Size (waf):	24mm
Profile:	bi-hex
Drive:	3/4"
Diameter:	36mm



2.3 Wheel Bearings, Wheel Hubs and Drive Shaft

D 19 L 30 (Code 6145640)

Special Bi-Hex Socket, 30mm

Applicable to: BMW 1 Series (F20), 3 Series (E36, E46, E90); Citroën Saxo, C2; Dacia Sandero; Fiat Seicento; Ford Galaxy, Tourneo Connect; Mercedes Citan (W415), A-Class (W168), C-Class (W203), E-Class (W211), SL (W129), W123, W124, W126, W201; Opel/Vauxhall Astra F, Astra G; Renault Scenic, Clio, Kangoo, Megane IV; Toyota Avensis, Picnic and VW Golf (III, IV), Lupo, Touareg, T5 etc.

The special socket is particularly suitable for loosening and tightening fastening nuts; for example, those that are found on rear/front axle drive shafts, wheel bearings, as well as on gearboxes and differential flanges.

Recommended Accessory:

KL-4007-311 Swivel Head Breaker Bar, 620mm
4550-30 Torque Wrench 60-300Nm



Technical Data:

Size (waf):	30mm
Profile:	bi-hex
Drive:	1/2"
Length:	82mm

D 19 L 32 (Code 6191320)

Special Bi-Hex Socket, 32mm

Applicable to: Fiat Panda, Punto, Seicento; Ford Fiesta, Fusion, Focus, Galaxy, Mondeo; Kia Sportage; Mercedes C-Klasse (W204, W205), S-Klasse (W140); Nissan Almera; Opel Astra H, Vivaro; Subaru Outback etc.

The special socket is particularly suitable for loosening and tightening fastening nuts; for example, those that are found on rear/front axle drive shafts, wheel bearings, as well as on gearboxes and differential flanges.

Recommended Accessory:

KL-4007-311 Swivel Head Breaker Bar, 620mm
4550-30 Torque Wrench 60-300Nm



Technical Data:

Size (waf):	32mm
Profile:	bi-hex
Drive:	1/2"
Length:	82mm

D 19 L 34 (Code 6147500)

Special Bi-Hex Socket, 34mm

Applicable to: Fiat Marea, Lancia Lybra, Renault etc.

The special socket is particularly suitable for loosening and tightening fastening nuts; for example, those that are found on rear/front axle drive shafts, wheel bearings, as well as on gearboxes and differential flanges.

Recommended Accessory:

KL-4007-311 Swivel Head Breaker Bar, 620mm
4550-30 Torque Wrench 60-300Nm



Technical Data:

Size (waf):	34mm
Profile:	bi-hex
Drive:	1/2"
Length:	82mm

D 19 36 (Code 2194686)

Special Bi-Hex Socket, 36mm

Applicable to: Audi A3, A4, A6, TT; BMW 3 Series (E36), 5 Series (E39, E60), X5; Ford Transit; Jeep Compass; Seat Ibiza, Cordoba; Škoda Fabia (III); Nissan Primera; Porsche Cayenne; VW Polo, Golf (V), Touareg etc.

The special socket is particularly suitable for loosening and tightening fastening nuts; for example, those that are found on rear/front axle drive shafts, wheel bearings, as well as on gearboxes and differential flanges.

Recommended Accessory:

KL-4007-311 Swivel Head Breaker Bar, 620mm
4550-30 Torque Wrench 60-300Nm

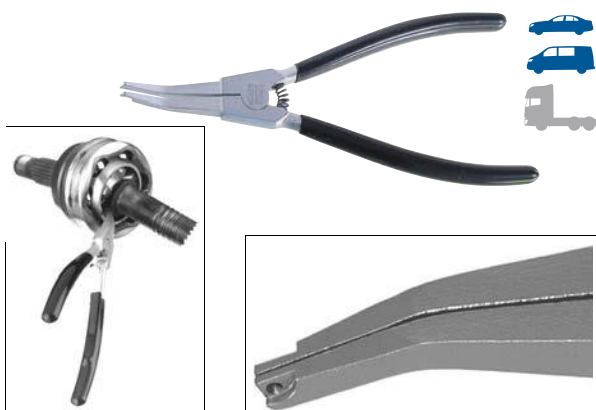


Technical Data:

Size (waf):	36mm
Profile:	bi-hex
Drive:	1/2"
Length:	45mm

2. Axle Repair

2.3 Wheel Bearings, Wheel Hubs and Drive Shaft



KL-0192-12

(Code 1753991)

Circlip Pliers (angled)

Suitable for use on VW-Audi, Mercedes, Opel/Vauxhall, BMW, Ford etc.

Specially designed for deep-seated, large clips on gear shafts and articulated axles that are hard to access.

Ideal for use on drive shafts/cv joints, engines and gearboxes.

Technical Data:

Length:	200mm
Tip form:	30° angled, centring spigot, long, slim
Min. opening:	3mm
Max. opening:	35mm
Weight:	190g



3 pcs.

KL-0192-823

(Code 1920693)

Pliers for Special Safety Rings

Universal application.

Alternative tool: 951-2947

For large rings found on drive shafts in earth-movers, construction vehicles and agricultural vehicles.

Technical Data:

Length:	330mm
Tip form:	Inter-changeable, hook-shaped, wide, milled
Tip size [mm]:	3.5x8 spreading 8-75mm
Weight:	490g



KL-0121-90

(Code 1752669)

Hose Clamp Pliers

Suitable for use on Audi, BMW, Chrysler, Ford, GM, Honda, Mazda, Mercedes, Nissan, Opel/Vauxhall, VW, etc.

Alternative tool: 1275, VAS 1275 A

For the tightening of ear clamps (Oetiker System) on axle boots, radiator and fuel hoses.

Advantages:

- No damage to the ear clamps.
- No damage to the hoses.
- Thanks to the special design of the tool, the clamp head is being flattened while tightening the clamp. An important feature for applications where space is limited.

Technical Data:

Length:	240mm
Weight:	492g



KL-0121-96 A

(Code 2910691)

Hose Clamp Pliers
(for use with a Torque Drive)

Suitable for use on VW-Audi, Ford, Opel/Vauxhall etc.

Alternative tool: 1682, MKM-804, VAS 1682 A

This tool is designed to tighten stainless steel clamps on cv-boots to specified tightening torques. A 3/8" torque wrench is recommended as a drive.

Recommended Accessory: 4549-05 Torque Wrench 10-50Nm

Technical Data:

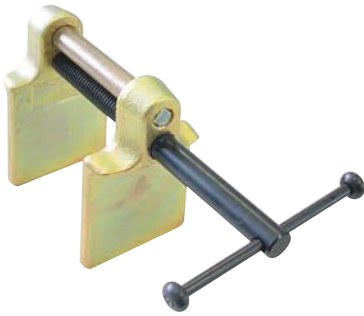
Weight:	490g
Drive:	3/8"
Length:	260mm

Spare Parts: KL-0121-9601 A Jaws (spare pair)



3. Brake Service/Repairs





KL-O111-1 (Code 1752294) Calliper Piston Reset Tool (Narrow Design)

Universally applicable to virtually all vehicles.

Alternative tool: W 000 589 52 43 00, T10145

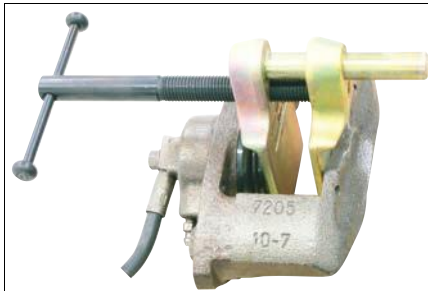
Intended for floating callipers with single piston and fixed callipers with two pistons. This tool allows the user to quickly and professionally reset the brake piston on brake calliper systems without the risk of damaging the junk ring or piston.

Advantages:

- No jamming of the piston during reset.
- Low expenditure of force needed - thanks to the precise guidance of the tool.
- High stability and resistance to wear and tear - thanks to the hardened plates and guide pins.
- High precision of the tool ensures easy use and long service life.

Technical Data:

Max length of tool:	260mm
Height of tool:	125mm
Usable height of the jaws:	75mm
Width of the jaws:	70mm
Min span:	13mm
Max span:	70mm



11 pcs.



KL-O112-21 B (Code 3078736) Brake Piston Push-Back/Wind-Back Kit, with 10 Adaptors

Applicable to: Audi, BMW, Citroën, Fiat, Ford, Honda, Mazda, Mitsubishi, Nissan, Opel/Vauxhall, Peugeot, Renault, Seat, Škoda, Subaru, Toyota, VW, etc.

Alternative tool: 3272, T20055A, KM-6007-B

Designed to reset (wind back or push back depending on application) brake pistons in floating callipers. Suitable for both versions, with mechanical parking brake and electronic parking brake.

Can be used on **right-hand threads as well as on left-hand threads**. The piston is wound back via the hexagon on the pressure piece.

Advantages:

- The handy toggle enables the controlled reset of the brake piston and correct guidance of the adaptor.
- The thrust bearing ensures that the adaptors are securely held in the tool and, thus, professional reset of the brake piston without any risk of damage.
- The reset takes place via the hexagon on the respective adaptor, this technique eliminates the risk of damaging the brake piston spindle and prevents the reset tool from jamming which could be caused by different spindle pitches in the tool and calliper.
- The adaptors are specifically designed to suit virtually any brake piston application (in profile and outer Ø), this prevents damage to the piston and junk ring when resetting the brake piston.
- Possibility to update this tool set with additional and specifically designed adaptors for the latest vehicles and braking systems.
- Low overall height, no intermediate adaptors necessary.

Recommended Accessory: 7 UR 13 Combination ratchet spanner reversible

Scope of Delivery: KL-0112-21 B Brake Piston Push-Back/Wind-Back Kit

Part No.	Description	Qty
KL-0112-2000	Brake Piston Push-Back/Wind-Back Kit (Basic Device)	1
KL-0112-0005	Adaptor, Size 2	1
KL-0112-0007	Adaptor, Size 1	1
KL-0112-0006	Adapter (12mm hex socket)	1
KL-0112-0008	Adaptor, Size 8	1
KL-0112-0009	Adaptor, Size 9	1
KL-0112-0010	Adaptor, Size 10	1
KL-0112-0013	Adaptor, Size 13	1
KL-0112-0015	Adaptor, Size 15	1
KL-0112-0016	Adaptor, Size 16	1
KL-0112-0017	Adaptor, Size 17	1
KL-0112-2290	Plastic Storage Case	1



KL-4021-310 (Code 3405494)

Screwdriver Bit Socket Set, 3/8"

**Universally suitable for brake calliper fixing bolts.
For example at VW-Audi, BMW, Mercedes, Volvo etc.**

The **KL-4021-310** screwdriver bit socket set is needed for the loosening and tightening of brake calliper fixing bolts.

Technical Data:

Size (waf):	7 / 9 / 11mm
Drive:	3/8"
Length:	100mm

3 pcs.



3/8"



KL-0461-10 (Code 1755595)

Pentagon Socket

Suitable for the lower brake calliper fastening screw on Smart Fortwo (front axle), and brake callipers on Opel/Vauxhall Astra G, Zafira (rear axle).

Smart: For the removal and installation of the brake calliper on the front axle.

Opel/Vauxhall: For the removal and installation of the guide pin in case it is corroded and the floating calliper is no longer free to slide on the pin. Can also be used to remove the calliper piston.

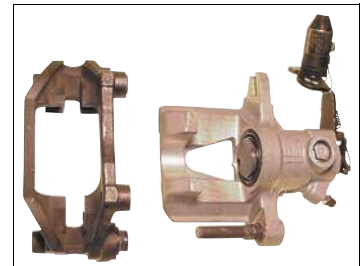
Recommended Accessory: 1993 U-20 Reversible Ratchet

Technical Data:

Size (pentagon):	14mm
Drive:	1/2"



1/2"



KL-1460-1 (Code 1791753)

Pentagon Socket

Suitable for Citroën, Peugeot und Renault.

Designed to dismount brake calipers.

Recommended Accessory: 1993 U-20 Reversible Ratchet

Technical Data:

Size (pentagon):	19mm
Drive:	1/2"



1/2"



KL-0112-90 (Code 3034569)

Socket Set, Brakes

Suitable for retaining bolts on brake callipers as found in the most common car models from Audi, Mercedes and Porsche.

Technical Data:

Height:	50mm
Drive:	1/2"
Size (waf) (KL-0112-901):	11mm
Profile/Number of teeth (KL-0112-901):	10
Size (waf) (KL-0112-902):	22mm
Profile/Number of teeth (KL-0112-902):	7

Scope of Delivery:

KL-0112-90 Socket Set, Brakes

Part No.	Description	Qty
KL-0112-901	Socket, 11mm (special profile)	1
KL-0112-902	Socket, 22mm (special profile)	1

2 pcs.

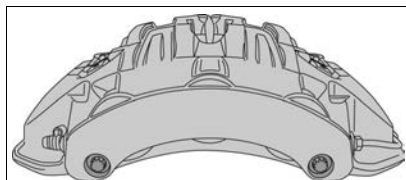


1/2"





3 pcs.



KL-0112-91

[Code 3245616]

Socket Set, Brakes

Suitable for retaining bolts on brake callipers as found in popular car models from Audi, Mercedes and Porsche.

KL-0112-911 = Audi Q7

KL-0112-912 = Audi S8, Q7; Porsche Macan, Cayenne, Cayman

KL-0112-913 = Audi S6, A8; Porsche Cayenne

Recommended Accessory: 1993 U-20 Reversible Ratchet

Technical Data:

Height:	50 mm
Drive:	1/2"
Waf size (KL-0112-911):	14mm
Profile/number of teeth (KL-0112-911):	7
Waf size (KL-0112-912):	15mm
Profile/number of teeth (KL-0112-912):	10
Waf size (KL-0112-913):	20mm
Profile/number of teeth (KL-0112-913):	10

Scope of Delivery: KL-0112-91 Socket Set, Brakes

Part No.	Description	Qty
KL-0112-911	Socket, 14mm (special profile)	1
KL-0112-912	Socket, 15mm (special profile)	1
KL-0112-913	Socket, 20mm (special profile)	1



8726

[Code 6770780]

Brake Calliper File

For cleaning brake callipers before installing new brake pads. The file features one rough, diagonally milled side with bevelled edges.

Technical Data:

Length:	260mm
---------	-------



643

[Code 6531440]

Brake Calliper Brush

For cleaning brake callipers before installing new brake pads.

Technical Data:

Length:	220mm
Bristle length:	21mm
Weight:	94g



KL-0192-7

[Code 1783688]

Circlip Pliers (angled 90°)

For internal circlips on brake callipers and gearboxes, angled 90°.

Technical Data:

Length:	190mm
Leg length:	60mm



KL-0314-1

[Code 1755234]

Brake Spring Tool, Mercedes

Applicable for Mercedes etc.

Alternative tool: W 112 589 09 61 00

For the removal and installation of parking brake shoe retaining springs. Suitable for both conical and cylindrical retaining springs.

Technical Data:

Length:	145mm
Weight:	110g



KL-0114-21 (Code 1752421)

Brake Spring Assembly Hook

Universal application.

Alternative tool: 3436, W 116 589 01 62 00

Designed to remove and install return springs on drum brake systems.

Technical Data:

Length:	155mm
Weight:	100g



KL-0117-51 (Code 2183854)

Pipe Bending Pliers

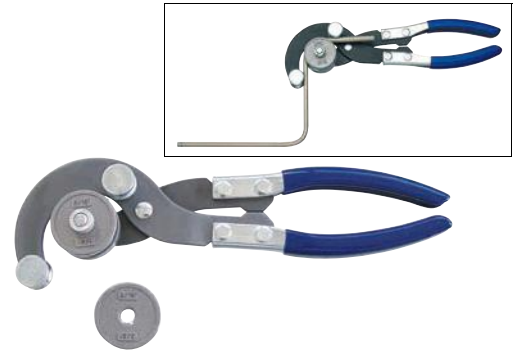
Suitable for copper pipes DIN-EN 1057, non-ferrous metal pipes as well as thin-walled precision steel pipes and brake lines with Ø of from 4.75 to 10mm, (two turnable formers 4.75-6.0mm and 8.0-10.0mm).

Indispensable for the quick and professional bending of brake pipes. Bending of up to 90° possible.

Technical Data:

Weight:	530g
Length:	260mm
Pipe diameter:	4.75-10.0mm

3 pcs.



400 10x11 (Code 6057270)

Brake Pipe Spanner

Universally applicable.

Used for loosening and tightening screwed brake pipe connections.

Technical Data:

Size (waf):	10/11mm
Ring angle:	15°
Total length:	150mm
Drive:	hex



137 7-11 (Code 2325322)

Grip wrench, Size 11mm

Suitable for brake pipe connection with a wrench size of 11mm.

Used for loosening and tightening screwed brake pipe connections.

Other Sizes:

137 7-10 - Grip wrench, Size 10mm

137 7-12 - Grip wrench, Size 12mm

137 7-13 - Grip wrench, Size 13mm

Technical Data:

Size (waf):	11mm
Total length:	190mm
Weight:	320g



KL-0140-29 (Code 2858614)

Vernier Caliper for Brake Discs

Universally suitable.

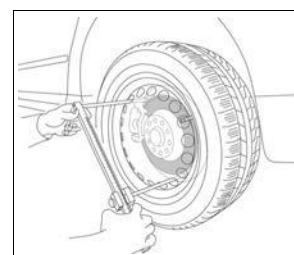
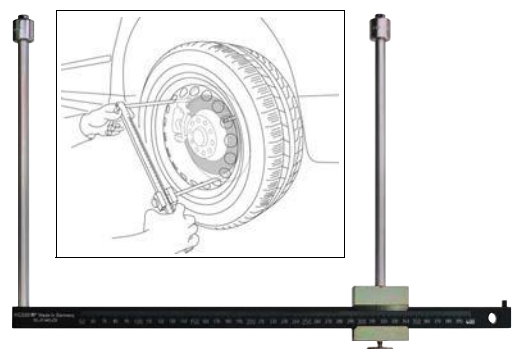
Designed to measure the diameter of brake discs without the need for removing the wheels from the vehicle.

Advantages:

- Allows for quick identification of the brake system.
- Helps to eliminate the risk of ordering wrong brake pads or brake discs.
- Reduces number of returns.
- Allows professional and cost-effective brake-servicing work to be carried out.
- Saves a lot of time.

Technical Data

Span (measuring range):	50-400mm
-------------------------	----------





13 pcs.



KL-0040-860 [Code 2372290] Wheel Bearing Tool Set, Ford Transit

Applicable to all Ford Transit/Tourneo (Models 2000-2006 / 2006-2014 / from 2014-...) with brake disc fixing bolts, pitch circle diameter 97.5mm and 111mm; also suitable for use on the front axle of Tourneo vehicles with front-wheel drive and rear-wheel drive respectively.

The wheel bearing tool set enables wheel bearings on the front axle to be removed and installed quickly and without any trouble.

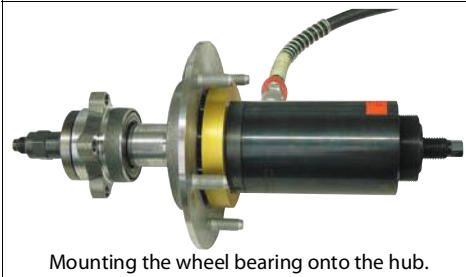
To replace a brake disc or a wheel bearing, it is usually necessary to pull the wheel bearing along with the hub and brake disc from the steering knuckle. Thanks to this tool, the removal and installation of the wheel bearing can be carried out in situ on the vehicle within just a few minutes, without having to dismantle the suspension strut.

Necessary Drive Parts (cf. Chapter Drives):

KL-0040-2800 Hydraulic Cylinder (28t), **KL-0215-35 M28** Hydraulic Pump, **KL-0040-2812-1** Pull/Pressure Spindle (M24x590), **KL-0040-2812-2** Clamping Nut

Scope of Delivery:

KL-0040-860 Wheel Bearing Tool Set, Ford Transit



Mounting the wheel bearing onto the hub.

Recommended Accessory:

KL-0040-861 Upgrade Kit, Ford Transit Rear Axle

KL-0040-862 Supplementary Set Ford Transit; Closed Wheel Bearings

Part No.	Description	Qty
KL-0040-8601	Pressure Disc, Ø 77mm	1
KL-0040-8602	Pressure Disc, Ø 68mm	1
KL-0040-8501 A	Pressure Ring	1
KL-0039-1823-4	Cheese Head Screw, M10x120mm	5
KL-0040-8503	Mandrel	5



2 pcs.



KL-0040-861 [Code 2700972] Upgrade Kit, Ford Transit Rear Axle

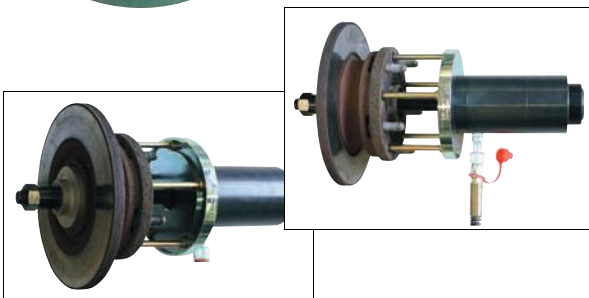
Fits with the front axle on Ford Transit/Tourneo (2000-2006 / 2006-2014 / 2014 onwards) with front-wheel drive and a pitch circle diameter of 160mm of the brake disc fixing screws.

The supplementary kit enables the wheel hub bearing unit on the brake disc of the rear axle to be forced off quickly and professionally. For example, this is required when replacing the wheel bearing and brake discs, as these are located behind the wheel hub.

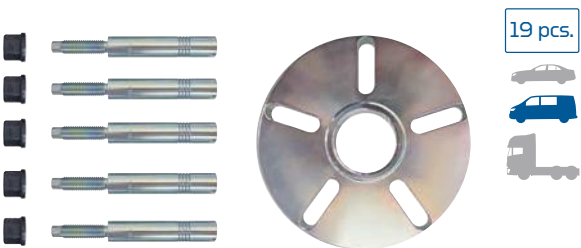
Required Tool Kit + Drive Parts:

KL-0040-860 Wheel Bearing Tool Set, Ford Transit, **KL-0040-2800** Hydr. Cyl. (28t), **KL-0215-35 M28** Hydraulic Pump, **KL-0040-2812-1** Pull/Pressure Spindle (M24x590), **KL-0040-2812-2** Clamping Nut

Scope of Delivery: KL-0040-861 Upgrade Kit, Ford Transit Rear Axle



Part No.	Description	Qty
KL-0040-8611	Pressure Disc, Ø 93mm	1
KL-0040-8612 A	Pressure Ring, Ø 210mm	1



19 pcs.



KL-0040-862 [Code 3292770] Upgrade Kit Ford Transit; Closed Wheel Bearings

Fits with the front axle on Ford Transit/Tourneo (2006-2014 / 2014 onwards) with rear-wheel drive and a pitch circle diameter of 97.5mm and 111mm of the brake disc fixing screws. Particularly suitable for vehicles with wheel bearing units without centre bore in closed design on the front axle.

This supplementary kit enables the removal of the bolted wheel bearing unit with wheel hub and brake disc on the front axle, especially for wheel bearings without centre bore in closed design, and subsequently the removal and pressing in of the wheel hub on the wheel bearing unit. Required, for example, when replacing the wheel bearing and brake discs, as these are located behind the wheel hub.

Scope of Delivery: KL-0040-862 - Upgrade Kit Ford Transit; Closed Wheel Bearings

Required Set of Tools + Drive Parts:

KL-0040-860 Wheel Hub Tool Set; Ford Transit,

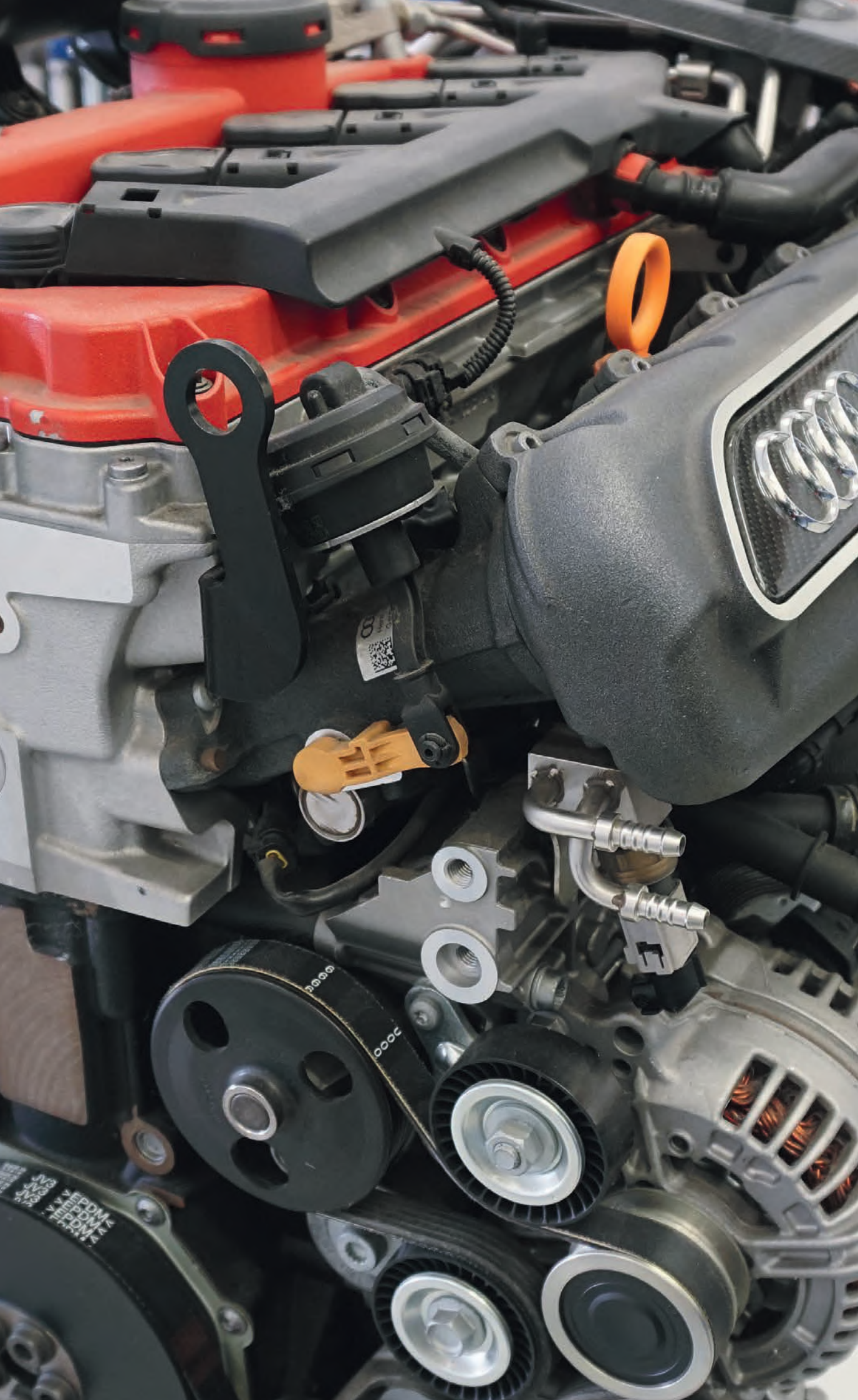
KL-0040-2800 Hydraulic Cylinder 28t,

KL-0215-35 M28 Hydraulic Pump,

KL-0040-2812-1 Draw/Thrust Spindle M24x590,

KL-0040-2812-2 Tensioning Nut

Part No.	Description	Qty
KL-0174-330	Hole disc size 3 (5-hole)	1
KL-0040-2812-5	Thrust nut M24	1
KL-0040-8621	Thrust adapter	1
KL-0174-572	Adapter 2 1/4" to 2 3/4"	1
KL-0174-764 A	Draw bolt type M, M14x1.5 mm	5
KL-0174-701	SK collar nut M14	5
KL-0186-9000-3	Cap screw M10 x 75 mm	5



4. Engine Maintenance/Repairs





702 20 M (Code 6547870) Feeler Gauge Set (20 Blades)

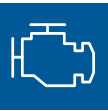
Universal use. Applicable to passenger cars, HGVs/commercial vehicles.

Alternative tool: W 117 589 00 23 00, 80.99607-0076, 80.99607-6019

The feeler gauge is designed to quickly and precisely measure/determine the size of small gaps/clearances on guide rails, bearings and pistons. An indispensable tool when adjusting the bearing clearance in transmissions, valve clearance in vehicle engines and spark plug gaps etc.

Technical Data:

Thickness range:	0.05 to 1.00mm
Gradations:	0.05mm
Blade length:	100mm
Weight:	100g

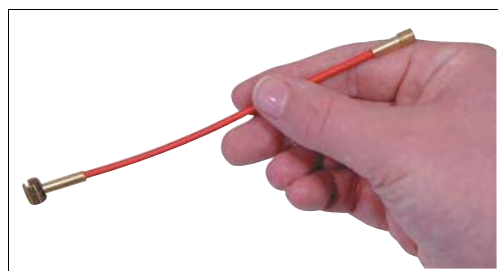


KL-0125-602 (Code 1796186) Valve Collet Assembly Tool, Ø 6mm

Applicable to VW-Audi, Mercedes, Smart, etc.

For installing valve collets.

The **KL-0125-602** Valve Collets Assembly Tool makes the installation of single- and three-groove valve collets safe and easy, whether the cylinder head is on the engine or removed. This is particularly important if valve stem seals have to be renewed without removing the cylinder head from the vehicle.

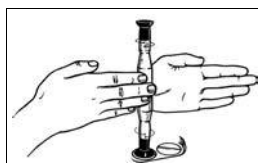
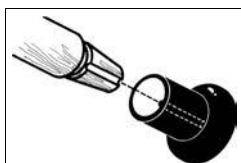


KL-0126-221 (Code 1752952) Magnetic Valve Collet Lifter (flexible)

With this flexible mini magnetic lifter, metallic objects can be removed even from the smallest crack. The **KL-0126-221** magnetic lifter is particularly suitable for lifting/removing valve collets.

Technical Data:

Length:	200mm
Magnet-Ø 3mm power:	150g
Magnet-Ø 4mm power:	270g
Weight:	6g



KL-0125-70 (Code 1752901) Valve Lapper Tool, Ø 16/21mm

Used for hand lapping valves.

The tool is equipped with two suction cups in different sizes designed to hold and rotate the valves for lapping operations.

Technical Data:

For valve head Ø:	16/21mm
Length:	210mm
Weight:	25g



3/8"

KL-0181-1 (Code 1753851) Stud Tool, 3/8"

Universal tool, infinitely adjustable.

Designed to screw in and unscrew studs with diameter of 6-12mm.

Recommended Accessory: 3093 U-20 Reversible Ratchet, 3/8"

Advantages:

- Infinitely adjustable.
- Suitable for use in very limited space conditions.
- Also suitable for screws with rusted or stripped threads.
- Also suitable for screws with undersize.

4.1 Cylinder Head / Engine Block

KL-0128-0

(Code 1753053)

Dial Gauge, Ø 40mm

Description: Measuring spindle and clamping shank made of stainless steel, design features and accuracy in accordance with DIN 878-E. The dial gauge is additionally equipped with a 10mm extension (KL-0128-03).

Technical Data:

Graduation:	0.01mm
Measuring Range:	5mm
Housing Ø:	40mm
1 pointer revolution:	0.5mm
Clamping shank Ø:	8 h 6

2 pcs.



KL-0128-1

(Code 1810952)

Dial Gauge, Ø 58mm

Features: Measuring spindle and clamping shank made of stainless steel, design features and accuracy in accordance with DIN 878-A.

Technical Data:

Graduation:	0.01mm
Measuring range:	10mm
Housing Ø:	58mm
1 pointer revolution:	1mm
Clamping shank Ø:	8mm



KL-0178-30 K

(Code 2406888)

Installation Kit for Sealing Flanges with Integrated Sender Wheel

Applicable to VW-Audi, Seat, Škoda and Mitsubishi petrol and diesel engines; e.g. 1.0, 1.4, 1.4 16V, 1.4 FSI, 1.6 16V, 1.6 FSI, 1.9 TDI, 2.0 TDI, 2.0 TDI 16V, 2.0 SDI, 2.0 DI-D as found on Audi (A2, A3); VW (Polo, Golf IV/V/Plus, Passat); Seat (Arosa, Ibiza, Leon); Škoda (Fabia, Octavia) and Mitsubishi (Grandis, Outlander). (Engine code: AHW, AKQ, APE, AXP, AZV, BAG, BCA, BLS, BKC, BKD, BKP, BLP, BLF, BMA, BMN, BMR, BNA, BRP, BUD, BXW, CAAA, CAAB, CAAC, CAAD, CAAE, CAGA, CAGB, CAGC, CAHA, CAHB, CAXC, CAYA, CAYB, CAYC, CAYD, CAYE, CBAA, CBAB, CBAC, CBBA, CBBB, CBDA, CBDDB, CBD, CBZA, CCHA, CCHB, CDBA, CDCA, CEGA, CFCA, CFFA, CFFB, CFFE, CFFD, CFGB, CFGC, CFGD, CFHA, CFHB, CFHC, CFHF, CFHD, CFJA, CFJB, CGGA, CGGB, CGLA, CGLB, CGLC, CGLD, CJAA, CJCA, CJC, CJCC, CJCD, CKUB, CKUC, CKTB, CKTC, CLCA, CLCB, CLJA, CLLA, CLLB, CLNA, CMFA, CMFB, CMGA, CMGB, CMSA, CNEA, CNFA, CNFB, CSHA, CSLB, CUSB, DFSF)

Alternative tool: T10134, T10017

Essential tool kit for the quick and professional installation of crankshaft sealing rings with integrated sender wheel (gearbox side).

Recommended Accessory:

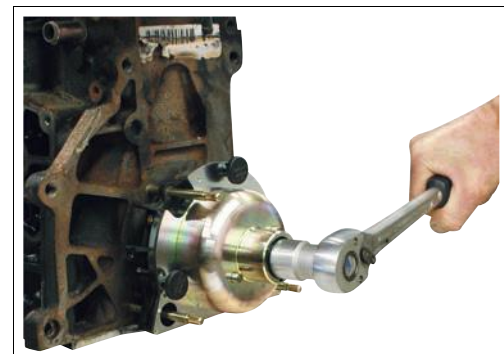
KL-0280-19 A Locking Tool for Crankshaft Sprocket, or
KL-0280-20 A Locking Tool for Crankshaft Sprocket

Scope of Delivery:

KL-0178-30 K Installation Kit for Sealing Flanges with Integrated Sender Wheel

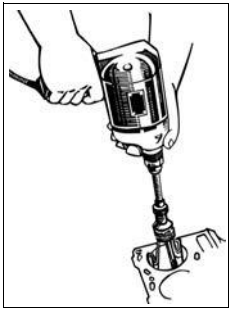
Part No.	Description	Qty
KL-0178-3010	Housing with Nut	1
KL-0178-3020	Pressure Plate	1
KL-0178-3030	Flange with Spindle	1
KL-0178-3040	Guide Bolt, Ø 7mm	3
KL-0178-3050	Guide Bolt, Ø 8mm	3
KL-1681-111	Adaptor (M14x1.25) for TDC Positioning	1
KL-0128-1	Dial Gauge, Ø 58mm	1
KL-0178-3090	Plastic Storage Case	1

17 pcs.



4. Engine Maintenance/Repairs

4.1 Cylinder Head / Engine Block

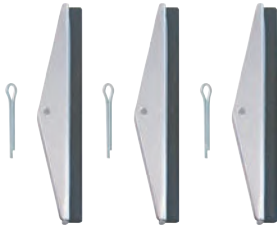
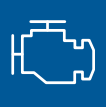


KL-0199-12 [Code 1754270] Cylinder-Honing Tool, Ø 51-175mm

Comes with interchangeable hone stones and a flexible drive shaft to fit electric drills. The hone arms are self-spreading and tensoning. Suitable for tubes, bores, cylinders, bearing housings, etc.

Technical Data:

Cylinder Ø:	51-175mm
Weight:	570g
Length:	100mm



6 pcs.



KL-0199-125 [Code 1794108] Cylinder Hone Set (3 Stones)

Technical Data:

Dimension:	11x100mm
Weight:	57g



2 pcs.



125 ... [Code 6396720] Piston ring compressor

- In special band spring steel, with continuous adjustment
- With clamping wrench

125 0 [Code 6396720] Piston ring compressor

Technical Data:

Clamping range:	40-75mm
Total length:	50mm

125 2 [Code 6396990] Piston ring compressor

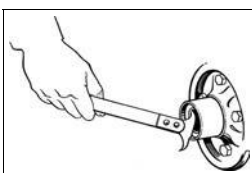
Technical Data:

Clamping range:	90-175mm
Total length:	80mm

125 1 [Code 6396800] Piston ring compressor

Technical Data:

Clamping range:	57-125mm
Total length:	80mm



KL-0178-10 [Code 1797379] Seal Ring Puller

Alternative tool: KM-J-45000

The **KL-0178-10** seal ring puller allows for the easy and trouble-free removal of oil or grease seals on engines, gearboxes and axles. Two size tips reach in and fit nearly all seal applications.

Technical Data:

Weight:	400g
---------	------



KL-4901-10 [Code 2473844] Combi-Shears

High-performance blades of stainless steel for perfect cuts along the whole length of the blade. One serrated blade for cable-cutting. Convenient impact-resistant plastic handles with sprung self-opening action.

Technical Data:

Blade Length:	40mm
Overall Length:	180mm

4.2 Cooling System

KL-0121-22 (Code 1752529) Hose Clamp Pliers (Straight Design) with Ratchet Locking Mechanism

Suitable for Alfa Romeo, Audi, Citroën, Fiat, Ford, Hyundai, Lancia, MAN, Mercedes, Opel/Vauxhall, Peugeot, Porsche, Renault, Seat, Toyota, VW, Volvo, etc.

Designed for the replacement of fuel line, oil line, radiator and heater hoses which are not retained by „Jubilee Type“ clips, but by reusable, self-tensioning hose clips. Special design of the pliers allows the hose clips to be securely and safely gripped and held.

The hose clamp pliers enable the following clamps to be opened: Norma, ABA (AWAB), MIKALOR, MUBEA with Ø of from 18-53mm.



Technical Data:

Clamp Ø:	18-53mm
Length:	273mm
Weight:	390g

KL-0121-23 (Code 1752537) Hose Clamp Pliers (Angled 110°), with Ratchet Locking Mechanism

Suitable for Alfa Romeo, Audi, Citroën, Fiat, Ford, Hyundai, Lancia, MAN, Mercedes, Opel/Vauxhall, Peugeot, Porsche, Renault, Seat, Toyota, VW, Volvo, etc.

Designed for the replacement of fuel line, oil line, radiator- and water hoses which are not retained by „Jubilee Type“ clips, but by reusable, self-tensioning hose clips. The special design of the pliers ensure that hose clips are safely gripped and securely held. The hose clamp pliers enable the following clamps to be opened: Norma, ABA (AWAB), MIKALOR, MUBEA with Ø of from 18-53mm.



Technical Data:

Clamp Ø:	18-53mm
Length:	285mm
Clamp Angle:	110°

KL-0121-25 (Code 1752545) Hose Clamp Pliers, with Remote Action and Ratchet Locking Mechanism

Suitable for Alfa Romeo, Audi, Citroën, Fiat, Ford, Hyundai, Lancia, MAN, Mercedes, Opel/Vauxhall, Peugeot, Porsche, Renault, Seat, Toyota, VW, Volvo, etc.

Alternative tools: KM-6182-4, T20174, VAS 5024 A

This tool is designed to open self-tensioning hose clips, for example when replacing fuel hoses, oil hoses, radiator and heater hoses. The long flexible cable with remote-action mechanism enables even hose clips in hard-to-access areas to be reached easily and without any trouble. The special design of the pliers ensures that the clip is safely gripped and securely held.

Technical Data:

For clamp Ø:	18-53mm
Length:	225mm
Clamp Angle:	90°



KL-0121-2501 (Code 1797352) Bowden Cable (Spare)



KL-0124-59 (Code 2961830) Removal Tool for HENN® Clamps

Universally suitable for HENN® clamps as found on coolant hoses/charge air hoses. Installed, for example, in the following vehicles: VW-Audi, Seat, Škoda, BMW, Peugeot, Citroën, Dacia, Fiat, Ford, Kia, Lexus, Mazda, Mercedes, Nissan, Opel/Vauxhall, Porsche, Renault, Toyota, Volvo etc.

Designed for the professional loosening/opening of HENN® Clamps as found on coolant hoses/charge air hoses in passenger cars. An indispensable tool when removing/installing coolant hoses/charge air hoses etc. The handle of the tool can be unscrewed and repositioned by 90 degrees. This allows even HENN® Clamps which are difficult to access to be loosened/opened with ease.





4 pcs.



KL-0121-20

(Code 1752510)

Set of Hose Clamps (4-Piece Set)

Universal application.

Used to clamp/close hoses during repairs.
For fuel, brake and water lines with Ø of from 10-45mm.

Scope of Delivery:

KL-0121-20 Set of Hose Clamps (4-Piece Set)

Part No.	Description	Qty
KL-0121-1	Clamp for Hose Ø of up to 10mm	1
KL-0121-2	Clamp for Hose Ø of up to 15mm	1
KL-0121-3	Clamp for Hose Ø of up to 24mm	1
KL-0121-4	Clamp for Hose Ø of up to 45mm	1



KL-0121-94

(Code 1752685)

Hose Clamp Pliers

For CLIC clips.

Suitable for Audi, Citroën, Fiat, Mercedes, Opel/Vauxhall, Peugeot, Renault, VW etc.

Alternative tool: VAS 6653

Used to open and close the reusable hose clamp types CLIC and CLIC-R (Caillau/Serflex).

Technical Data:

Weight:	270g
---------	------



KL-0121-38 B

(Code 3257223)

Fuel Line Pliers

Universally suitable for quick-release couplings as found on fuel lines in vehicles from VW-Audi, SEAT, ŠKODA, Mercedes, BMW, Renault, Peugeot, Opel/Vauxhall, Chrysler, Fiat etc.

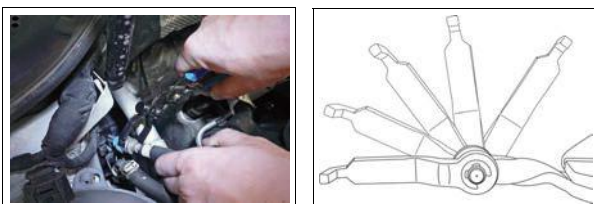
Alternative tools: W 163 589 00 37 00

Allows you to unlatch quick-release couplings on fuel lines professionally. An indispensable tool when changing the fuel filter or performing repairs to the fuel system for example. Today's fuel lines generally feature quick-release couplings having very small release lugs. The use of conventional pliers is not appropriate, since the size of the clamping jaws is simply too large to fit these lugs.

The adjustable fuel line pliers from GEDORE Automotive is the perfect solution here - the ingenious design of the pliers' gripping jaws, which can be swivelled by up to 90 degrees, allows even hard-to-reach couplings to be released without any damage.

Technical Data:

Swivel range:	90°
Length:	172mm



KL-0289-20

(Code 3010465)

Removal/Installation Tool for Fuel Return Line

Suitable for VW-Audi, Seat and Škoda 2.0, 2.7 and 3.0 TDI Common Rail Diesel engines; as fitted to: VW Eos, Golf V, Golf VI, Jetta, Passat, Passat CC, Scirocco, Tiguan, Transporter T5, Phaeton; Audi A3, A4, A5, A6, A7, Q5; Seat Exeo; Škoda Yeti etc.

(Engine codes: BMK, BPP, CAAA, CAAB, CAAC, CAAD, CAAE, CAGA, CAGB, CAGC, CBAA, CBAB, CBAC, CBDA, CBDB, CBDC, CDUD)

Designed to professionally unlock/remove as well as install/lock the fuel return line push-fit connector (round design) at the injectors.

An indispensable tool when removing fuel return line push-fit connectors. Improper disassembly techniques may damage the connector resulting in the complete fuel return line in the engine compartment to be replaced.

4.3 Fuel System

KL-4075-321 K (Code 2479990) Flexible Crowfoot Socket Wrench Set

Universally suitable for screwed pipe connections, for example, on brake systems, injection systems etc.

Alternative tool: 80.99603-0028

These tools are required for the loosening and tightening of screwed pipe connections. Thanks to the special design of the wrenches, even screw connections that are difficult to access can be reached quickly and without any trouble.

Recommended Accessory: 3093 U-20 Reversible Ratchet, 3/8"

Technical Data:

Profile:	Double Hex
Drive:	3/8"
Size (waf):	14/16/17/18/19mm

Scope of Delivery: KL-4075-321 K Flexible Crowfoot Socket Wrench Set

Part No.	Description	Qty
KL-4075-3214	Flexible Crowfoot Socket Wrench, Size (waf) 14mm	1
KL-4075-3216	Flexible Crowfoot Socket Wrench, Size (waf) 16mm	1
KL-4075-3217	Flexible Crowfoot Socket Wrench, Size (waf) 17mm	1
KL-4075-3218	Flexible Crowfoot Socket Wrench, Size (waf) 18mm	1
KL-4075-3219	Flexible Crowfoot Socket Wrench, Size (waf) 19mm	1
KL-4074-3190	Plastic Storage Case	1



KL-0511-40 K (Code 3245713) Set of Special Sockets, in a Storage Case

Universally suitable for the union nuts on high-pressure fuel lines and exhaust gas temperature sensors found in passenger cars and commercial vehicles/HGVs.

Alternative tools: VW T40055; BMW 13 5 020, 37 1 151, 37 1 152; Kia & Hyundai 09314-27110, 09314-27120; Mercedes W 000 589 68 03 00, W 314 589 01 03 00

The sockets are specifically cut out and designed to allow for the quick and trouble-free loosening and tightening of the union nuts that are found on high-pressure fuel lines and exhaust gas temperature sensors. Set includes waf sizes: 14mm, 17mm, 19mm, 21mm. The special design of the tool - input and output drives are located on the same axis - allow union nuts to be tightened in a controlled manner and to the correct tightening torque.

Conventional sockets with an offset shape - where input and output drives are not located on the same axis - distort the tightening torque.

Recommended Accessory:

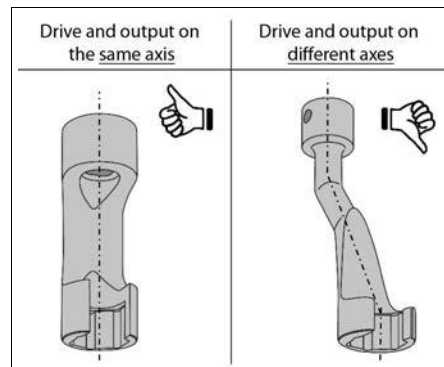
3093 U-20 Reversible Ratchet, 3/8", 4549-05 Torque wrench, 10 - 50 Nm

Technical Data:

Waf sizes:	14mm, 17mm, 19mm, 21mm
Profile:	hex
Design:	cut out
Drive:	3/8"
Length:	78mm

Scope of Delivery: KL-0511-40 K Set of Special Sockets, in a Storage Case

Part No.	Description	Qty
KL-0511-8	Special Socket, Size (waf) 14mm	1
KL-0511-4	Special Socket, Size (waf) 17mm	1
KL-0511-6	Special Socket, Size (waf) 19mm	1
KL-0511-7	Special Socket, Size (waf) 21mm	1
KL-0511-4090	Plastic Storage Case	1



KL-0369-10 (Code 1755390) Hex Socket, Size (waf) 22mm

Suitable for diesel engines from: VW-Audi, BMW, Ford, Opel/Vauxhall, Rover, Mercedes, Seat, Volvo, etc.

Alternative tool: 3078, U-20012

The special cut-out hex socket allows for the removal/installation of diesel injectors without damaging the fuel return tubes.

Recommended Accessory: 1993 U-20 Reversible Ratchet



Technical Data:

Size:	22mm
Drive:	1/2"



36 pcs.



KL-0124-41 K

(Code 2212684)

Pressure- and Vacuum Hand Pump, in a Storage Case

Universal application.

Alternative tool: W 001 589 73 21 00, W 201 589 13 21 00, 3093, U-30042

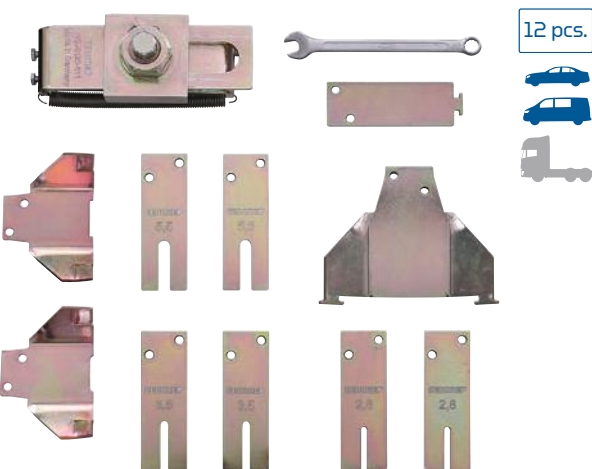
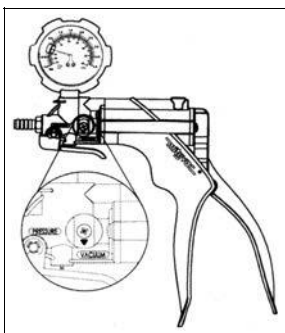
Allows for the quick and easy checking of pressure- and vacuum systems as well as for the extraction of liquids such as fuels, brake fluids etc., (e.g. when bleeding the brake).

Especially required for checking the following:

- Fuel-System,
- Vacuum Diaphragm,
- Vacuum Sensor,
- Exhaust Gas Recirculation Valve,
- Fuel Pressure Regulator,
- Vacuum Modulator on, e.g., Automatic Transmission,
- Brake Booster,
- Turbo Charger Valves,
- Fuel Pump Diaphragm,
- Leak Tightness on Lines etc.

Technical Data:

Vacuum measuring range:	from 0-1.0 bar
Pressure measuring range:	from 0-4.0 bar
Display:	Pressure gauge
Max volume of drain bottle:	500ml
Weight:	1.4kg



12 pcs.



KL-0120-81 K

(Code 3125580)

Fuel Tank Sender Spanner Kit

Universally suitable for use on fuel tank sender lock rings as found on: VW-Audi, Seat, Skoda, BMW, Mercedes-Benz, Porsche, Opel/Vauxhall, Mini, PSA, Citroën, Peugeot, Renault, Alfa Romeo, Fiat, Volvo and Honda etc.

Alternative tool: T10202, 16 1 020, EN-48279, 999 5720, 310-118, I-1618, J-1618-A

An indispensable tool kit for the professional loosening and tightening of fuel sender lock rings on fuel tanks.

Thanks to the adjustable design of the base tool and the universal and vehicle-specific adaptor sets supplied with the kit, the spanner can be assembled to work on virtually all commonly used fuel sender lock rings - safely and without any risk of damage.

Note:

The adaptors can also be attached to the base tool from the inside - ideal when space is at a premium.

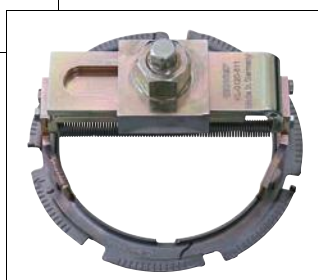
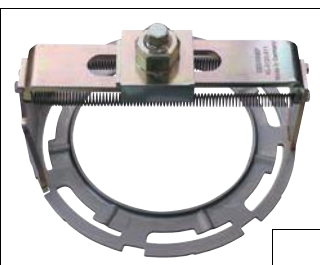
Technical Data:

Adjustment range:	110-180mm
-------------------	-----------

Scope of Delivery:

KL-0120-81 K Fuel Tank Sensor Spanner Kit

Part No.	Description	Qty
KL-0120-811	Fuel Tank Sender Spanner Base Tool	1
KL-0120-812	Adaptor Set (2.8mm)	1
KL-0120-813	Adaptor Set (3.5mm)	1
KL-0120-814	Adaptor Set (5.5mm)	1
KL-0120-815	Adaptor Set (BMW/Mercedes/Honda)	1
KL-0120-816	Adaptor Set (VW-Audi)	1
7 7 (6089630)	Combination Spanner, Size (waf) 7mm	1
KL-0120-8190	Plastic Storage Case	1



4.3 Fuel System

KL-0122-701 (Code 1902164)

Fuel Filter Socket, Ø 109mm

Suitable for the Peugeot, Citroën, Fiat, Lancia, Suzuki vehicles equipped with either a 2.0 or 2.2 HDI Diesel engine such as: Peugeot 206, 307, 406, 607, 807; Citroën C5, C8, Berlingo, Jumpy, Xsara; Fiat Scudo, Ulysse; Lancia Phedra, Zeta; Suzuki Vitara, Grand Vitara I.

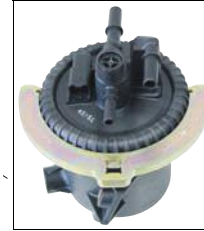
This fuel filter socket is intended for the removal and installation of the fuel filter cap when replacing a fuel filter cartridge.

Recommended Accessory:

3093 U-20 Reversible Ratchet, 3/8"

Technical Data:

Profile:	Ø 109mm
Drive (square):	3/8"



KL-0122-702 (Code 2800713)

Fuel Filter Socket, Ø 82mm

Suitable for Volvo Diesel vehicles equipped with fuel filter cartridge such as S60, S80, V70, XC70, XC90, with 2.4 D or 2.4 D5 engines.

This fuel filter socket is intended for the removal and installation of the fuel filter cap when replacing a fuel filter cartridge.

Recommended Accessory:

3093 U-20 Reversible Ratchet, 3/8"

Technical Data:

Drive:	3/8"
Internal Ø:	82mm
Ribs:	6 ribs



KL-0122-703 (Code 3087573)

Fuel Filter Socket, Ø 115mm, Ford Transit

Applicable to fuel filter housings (Ford No. 1 781 617), as fitted to Ford Transit Custom (from 2012 onwards), Tourneo Custom (from 2012 onwards), Transit (2006-2014) and Transit (from 2014 onwards).

Required when changing the fuel filter cartridge.

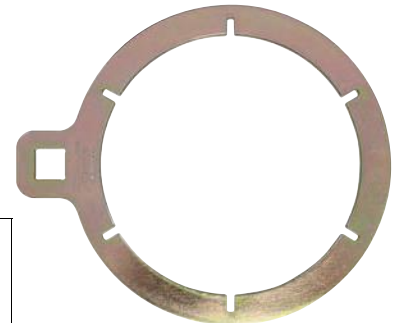
The compact design of the socket allows the fuel filter cap to be loosened and tightened with ease, even on vehicles where space is at a premium.

Recommended Accessory:

1993 U-20 Reversible Ratchet 1/2"

Technical Data:

Drive:	1/2"
Inner diameter:	115mm
Grooves:	6 Grooves



KL-0289-10 (Code 2922819)

Fuel Filter Cap Installation Tool

Suitable for the VW-Audi, Seat and Škoda Diesel vehicles fitted with a UFI fuel filter unit.

Very useful tool allowing for the torsion-free mounting of fuel filter caps on fuel filters; required, for example, after changing the fuel filter cartridge.

The fuel filter cap installation tool is designed to press the fuel filter cap evenly and in a torsion-free manner into the seal seat in the fuel filter housing. Then, the fuel filter can be fixed according to the manufacturer's instructions.

Note: If a fuel filter cap is inserted into the seal seat in the fuel filter housing without the use of our special tool but by means of the fixing bolts, there is a risk that the fuel filter cap is subjected to torsional stress during installation which could lead to leakage in the fuel filter unit.





KL-0286-20

(Code 2930331)

Socket Wrench Set, (waf 10mm) for Pressure Capsule with Charge Pressure Actuator Position Sensor, VW

Suitable for the pressure capsule with charge pressure actuator position sensor at the exhaust gas turbocharger fitted to 2.0 Common Rail Diesel engines. For example found in: Golf VI (5K), Golf Plus (52), Jetta (1K), Passat (3C), Passat CC (35), Scirocco (13), Eos (1F), Tiguan (5N), Transporter T5 (from 2010 upwards, 7J, 7H, 7G, 7F) and Audi A3 (8P).

Alternative tool: T10422, T10423

This tool set is designed for the professional loosening, adjustment and tightening of the control rod when removing/installing the pressure capsule along with the charge pressure actuator position sensor.

Recommended Accessory: 2093 U-20 Reversible Ratchet 1/4"

Note: If the control rod is not loosened, adjusted and tightened correctly, there is a risk of damage to the pressure capsule.

Technical Data:

Width across flats (KL-0286-2001):	10mm
Width across flats (KL-0286-2002):	10/12mm
Length (KL-0286-2001):	50mm
Length (KL-0286-2002):	144x55mm
Drive:	1/4"

Scope of Delivery: KL-0286-20 Socket Wrench Set, (waf 10mm)

Part No.	Description	Qty
KL-0286-2001	Socket (waf 10mm)	1
KL-0286-2002	Combination Spanner (bent design), waf 10/12mm	1



304.. Serie

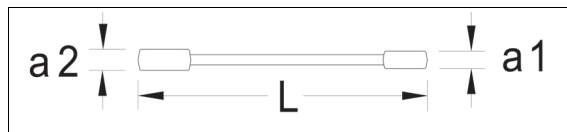
Half moon ring spanner

Universal application.

Required for the correct loosening and tightening of the turbocharger fixing bolts. With extra thin-walled rings, particularly necessary in very tight spaces.

Available Sizes:

Part No.	L (mm)	a1 (mm)	a2 (mm)	Size1/Size2	Code-No.
304 11x13	150	7.0	7.5	11/13	6470040
304 13x15	185	8.5	8.5	13/15	6470630
304 13x17	185	8.5	8.5	13/17	6470120
304 14x16	185	8.5	8.5	14/16	6470200
304 14x17	185	8.5	8.5	14/17	6470390
304 15x17	185	8.5	8.5	15/17	6470470
304 16x18	185	8.5	8.5	16/18	6567550
304 19x22	230	10.0	10.5	19/22	6470550



KL-0186-91 EA

(Code 3283992)

Injector Nozzle Puller Set, in a Foam Insert

Universally suitable for Denso injector nozzles with high-pressure fuel line connector having an M12x1.5 / 30° external thread. Also suitable for Bosch and Siemens/VDO injector nozzles with detachable high-pressure fuel line connector having an M12x1 / 45° internal thread.

For example, fitted to: BMW, Mercedes, Chrysler, Chevrolet, Citroen, Fiat, Hyundai, Iveco, Lancia, Opel/Vauxhall, PSA, Peugeot, Renault, Saab, Suzuki, Toyota.

Alternative tool: T10415

For the quick and easy extraction of tight-fitting or seized injector nozzles. An indispensable tool set when removing the valve cover or replacing injector nozzles. Thanks to the special bolts that come with the set, the puller can be fixed via the high-pressure fuel line connector. This eliminates the need for opening the injector nozzle. The special design of the tool also ensures optimum and damage-free power transmission.

Necessary Drive Parts (cf. Chapter Drives):

KL-0369-4100 (1.5kg) or **KL-0049-300** (4.8kg) Slide Hammer Puller

Tool Storage System: KL-4990-9326 - Plastic Storage Case

Scope of Delivery:

KL-0186-91 EA Injector Nozzle Puller Set, in a Foam Insert

Part No.	Description	Qty
KL-0186-9000 A	Head plate with Cheese-Head Screw	1
KL-0186-9001 A	Injector Extractor M12x1 / 45°	1
KL-0186-9201 A	Injector Extractor M12x1,5 / 30°	1
KL-0186-950	Tension Joint M18	1
KL-0186-9090-2 A	Foam Insert	1

Recommended Accessory:

KL-0186-9101 A Upgrade Kit, M14 / 45°

KL-0186-9301 Upgrade Kit, Denso, M14x1.5 / 30°

KL-0186-9401 Upgrade Kit, M12x1, 20°

4.4 Injection System

KL-0186-9101 A (Code 3283836) Upgrade Kit, M14 / 45°

Universally applicable to Bosch injector nozzles equipped with a detachable high-pressure fuel line connector having an M14x1.5 and M14x1 internal thread (45° angled). For example, fitted to: VW-Audi, Seat, Skoda, Citroën, Fiat, Iveco, PSA, Peugeot. Particularly suitable with Fiat Ducato, IVECO Daily 2.8 JTD; VW Golf 6, Tiguan, Touran 2.0 TDI (engine code CFFB); Industrial diesel engines HATZ 4H50TIC.

For the quick and easy extraction of tight-fitting or seized injector nozzles. Indispensable tools when removing the valve cover and replacing injector nozzles.

Scope of Delivery: KL-0186-9101 A Upgrade Kit, M14 / 45°

Part No.	Description	Qty
KL-0186-9101-1	Adaptor Plate, M14x1.5 / 45°	1
KL-0186-9101-2	Special Bolt, M14x1.5	1
KL-0186-9101-3	Special Bolt, M14x1	1

3 pcs.



Recommended Accessory:

KL-0186-9101 A Upgrade Kit, M14 / 45°
KL-0186-9301 Upgrade Kit, Denso, M14x1.5 / 30°
KL-0186-9401 Upgrade Kit, M12x1, 20°

KL-0186-9301 (Code 3133273) Upgrade Kit, Denso, M14x1.5 / 30°

Universally applicable to Denso injector nozzles equipped with a high-pressure fuel line connector having an M14x1.5 external thread (30° angled). For example, fitted to: Opel/Vauxhall.

For the quick and easy extraction of tight-fitting or seized injector nozzles. Indispensable tools when removing the valve cover and replacing injector nozzles.

Scope of Delivery: KL-0186-9301 Upgrade Kit, Denso M14x1.5 / 30°

Part No.	Description	Qty
KL-0186-9301-1	Adaptor Plate, Denso M14x1.5 / 30°	1
KL-0186-9301-2	Threaded Sleeve, M14x1.5	1

2 pcs.



Necessary Accessories:

KL-0186-91 EA Injector Nozzle Puller Set
KL-0369-4100 (1.5kg) or **KL-0049-300** (4.8kg) Slide Hammer Puller

KL-0186-9401 (Code 3133311) Upgrade Kit, M12x1 / 20°

Universally applicable to Bosch and Siemens/VDO injector nozzles equipped with a detachable high-pressure fuel line connector having an M12x1 internal thread (20° angled). For example, fitted to: Citroën, Ford, Jaguar, PSA, Peugeot.

For the quick and easy extraction of tight-fitting or seized injector nozzles. Indispensable tools when removing the valve cover and replacing injector nozzles.

Scope of Delivery: KL-0186-9401 Upgrade Kit, M12x1 / 20°

Part No.	Description	Qty
KL-0186-9001-2	Special Bolt, M12x1	1
KL-0186-9001-3	Special Bolt, M12x1, long	1
KL-0186-9001-4	Sleeve	1
KL-0186-9401-1	Adaptor Plate, M12x1 / 20°	1

4 pcs.



Necessary Accessories:

KL-0186-91 EA Injector Nozzle Puller Set
KL-0369-4100 (1.5kg) or **KL-0049-300** (4.8kg) Slide Hammer Puller

KL-0186-95 K (Code 3296873) Injector Extractor Set (VM-Motori/HATZ-Diesel/Iveco)

Universally fits agricultural machines, construction machines, and municipal vehicles with engines from VM-Motori as well as HATZ-Diesel and Iveco. For example, the motor series: VM-Motori R754 (Euro 5 + Euro 6), R756 (Euro 6); HATZ-Diesel H-Serie 3H50 TIC, 4H50 TIC; Iveco F1CE3 (Euro 5), 8140.43 (Euro 3). For example, installed at Aebi, Boki, Boschung, Bulmor, Bucher, Hako, Hansa, Kärcher, Ladog, Lindner, Meili, MFH, Reform, Schell, Schmidt, Triletty.

For quick and professional extraction of stuck injectors from the cylinder head, in conjunction with an impact extractor (mounting thread: M18x2.5). It is required when removing the valve cover, for example, and when renewing the injectors.

The special design of the injector extractor allows the injector to be pulled out without having to open it, directly above the fuel connection. Injectors that have been opened must be sent in for repair according to the manufacturer's instructions.

Scope of Delivery: KL-0186-95 K Injector Extractor Set

Part No.	Description	Qty
KL-0186-951	Injector extractor HATZ H-series	1
KL-0186-952	Injector extractor VM-Motori	1
KL-0186-9000-1	Nozzle extractor Head plate	1
KL-0186-9000-2	Cheese-head screw M8x35mm	2
KL-0186-9090	Plastic suitcase	1

12 pcs.



Required Drive Parts

(see Chapter Drives):
KL-0369-4100 Impact Extractor 1.5kg,
KL-0049-300 Impact Extractor 4.8kg





43 pcs.



KL-0186-14 EA (Code 3293793) (German Utility Model) Universal Injector Nozzle Puller Set, in a Foam Insert

Universally suitable for diesel engines, especially for BOSCH injectors with M14x1.5 external thread as well as M17x1 internal thread, and also for DELPHI injectors with M14x1.5 external thread.

Particularly suitable for Mercedes, for example: OM611, OM612, OM613, OM628**, OM629**, OM639, OM640, OM642**, OM646, OM646 EVO, OM647, OM648 (**V-engines: engine removal may be necessary for space reasons); Peugeot, Citroën, Fiat, Lancia, Suzuki: DV6 16V (not on Euro 5 [8V] engines); Ford: 1.6 TDCi (G8DA, G8DB, HHDA, HHJA, HHJB); VW-Audi: 2.0, 2.5, 2.7, 3.0 Common Rail TDI; Volvo: 1.6 D (D4164T), 2.2 D; Mazda: Y6 DV6 16V (not on Euro 5 [8V] engines)

The injector extractor kit enables fast and professional removal of severely stuck injectors directly on the vehicle without removing the cylinder head.

For this purpose, screw the 4 support pins with M6x1 mounting thread into the valve cover mounting holes on the cylinder head and place the special pull-off bridge over them afterwards. The spacer nuts included in the scope of delivery enable height compensation of the support pins. By using the appropriate draw spindle, the stuck injector can now be taken out.

Note: The injector extractor can also be used for many other common rail diesel engines by using the optionally available support pins, draw spindles and supplementary kits. For example: PSA 2.7 and 3.0 HdI (DT17, DT20); Fiat Ducato and Iveco 2.3, 2.4 and 3.0 JTD; Mercedes CDI (OM651); Renault, Nissan, Opel/Vauxhall 2.2, 2.5 and 3.0 dci (G9T, G9U and ZD3); Toyota 2.2 (2AD-FHV, 2AD-FTV).

Recommended Drive Parts (cf. Chapter Drives):

KL-0040-175 B Hydraulic Drive Tool Kit with Safety Belt

KL-0215-35 M25 Hydraulic Hand Pump

Scope of Delivery:

KL-0186-14 EA Universal Injector Nozzle Puller Set, in a Foam Insert

Part No.	Description	Qty
KL-0186-121 A	Extraction Bridge (Base Tool)	1
KL-0186-1231-11	Support Bolt 110 mm	4
KL-0186-1235-3	Set Screw, M6x45mm	4
KL-0186-1235-2	Set Screw, M6x25mm	4
KL-0583-1005 A	Pull Spindle, M17x1, with Union Nut	1
KL-0186-1215	Nut, M16x1.5	1
KL-0583-1032	Pull Spindler, M14x1.5	1
KL-0369-4505 A	Special Bit Insert, Size (waf) 10mm	1
KL-0369-461 A	Special Socket, Size (waf) 29mm	1
KL-0186-1251	Set of Spacer Nuts, 5mm	1
KL-0186-1252	Set of Spacer Nuts, 10mm	1
KL-0186-1253	Set of Spacer Nuts, 15mm	1
KL-0126-221	Flexible Magnetic Lifter	1
KL-4990-2001	Plastic Box	2
KL-0186-1492 A	Foam Insert	1

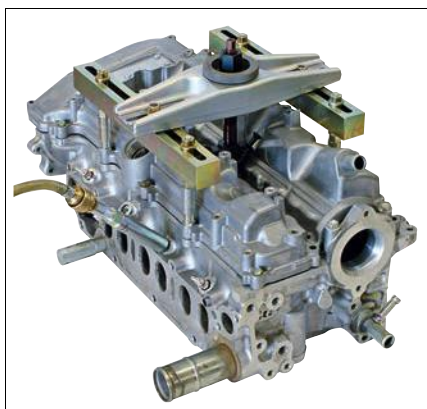
Storage System:

KL-4990-9474 Plastic Storage Case

KL-0186-14 KA Injector Nozzle Puller Set

Like **KL-0186-14 EA**, but in a Plastic Suitcase

Recommended Accessory: **KL-0121-75** Set of Vacuum Line Plugs



48 pcs.



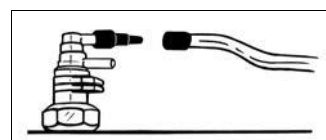
KL-0121-75 (Code 1892614) Set of Vacuum Line Plugs

Universally suitable for pressure, vacuum and fuel lines.

Alternative tools: 0188-T, 0189-Q, 0194-T, 1617-J

The pairs of plugs of this set are used for sealing off pressure-/vacuum- and fuel lines. The different pairs of plugs are colour-coded for easy line identification after repairs. The set contains 48 different adaptors of from 3.2mm (1/8") to 12.7mm (1/2").

The set is often used in conjunction with the **KL-0186-14 EA** injector nozzle puller set.



4.4 Injection System

KL-0186-1233 (Code 2411199) Set of Support Bolts, M6, 145mm

Applicable to VW-Audi, Seat, Škoda 2.0 TDI (CFFB) Common Rail Diesel engines and Opel/Vauxhall 2.0 CDTi, VCDi (Z 20 DM, Z 20 DMH, Z 20 S) Common Rail Diesel engines; as found in: VW Golf VI (5K), Eos (1F), Sharan (7N), Passat V (3C), Passat VI (36), Jetta (16), Passat CC (35), Tiguan (5N); Audi A3 (8P), Q3 (8U); Seat Alhambra (71); Škoda Superb II (3T); Opel/Vauxhall Antara, Chevrolet Captiva, Nubria estate car and Lacetti etc.

For example, installed in VW Golf VI (5K), Eos (1F), Sharan (7N), Passat V (3C), Passat VI (36), Jetta (16), Passat CC (35), Tiguan (5N); Audi A3 (8P), Q3 (8U); Seat Alhambra (71); Škoda Superb II (3T); Opel Antara; Chevrolet Cruze (J300), Captiva, Orlando (J309), Nubria, Lacetti; Mercedes C-Class (W204 / S204 from 2007), E-Class (W212 from 2009), E-Class Coupé / Convertible (W207 / C207 from 2009), GLK (X204 from 2008) and Sprinter II (906 from 2006); Ford Transit (from 2006), Tourneo; Fiat Ducato (from 2006 to 2012); Citroën Relay/Jumper III; Peugeot Boxer III.

By using the support bolt kit, the injector extractor **KL-0186-14 EA** also fits the above-mentioned engines.

Scope of Delivery: KL-0186-1233 Set of Support Bolts, M6, 145mm

Part No.	Description	Qty
KL-0186-1233-11	Support Bolt, 145mm	4
KL-0186-1235-2	Set Screw, M6x25mm	4

8 pcs.



Necessary Accessories:

KL-0186-14 EA Injector Extractor Kit; depending on the injector, the Supplementary Kit **KL-0186-128..** may be required.

KL-0186-1240 (Code 2970430) Set of Support Bolts, M6, 170mm

Applicable to the BMW 1.6, 2.0 (N47) and 3.0 (N57), as well as MINI 1.6 and 2.0 (N47) Common Rail Diesel engines. For example, fitted to: BMW 1 Series (E81, E82, E87, E88; F20, F21), 2 Series (F22), 3 Series (E90, E91, E92, E93; F30, F31; F34), 4 Series (F32), 5 Series (E60, E61; F10, F11; F07), 6 Series (F06, F12, F13), 7 Series (F01, F02, F04), X1 (E84), X3 (E83; F25), X5 (E70; F15), X6 (71, E72), and MINI Clubman (R55), Clubvan (R55), Countryman (R60), Paceman (R61), Coupé (R58), Roadster (R59) etc.

By using the support bolt kit, the injector extractor **KL-0186-14 EA** also fits the above-mentioned engines.

Necessary Accessories:

KL-0186-14 EA Injector Extractor Kit; depending on the injector, the Supplementary Kit **KL-0186-128..** may be required.

Scope of Delivery: KL-0186-1240 Set of Support Bolts, M6, 170mm

Part No.	Description	Qty
KL-0186-1240-10	Support Bolt, 170mm	4
KL-0186-1235-2	Set Screw, M6x25mm	4

8 pcs.



KL-0186-1236 (Code 2536560) Set of Support Bolts, M6, 129mm

Fits Renault, Nissan, and Opel 2.0 dci diesel engines. (Engine code: M9R)

By using the support bolt kit, the injector extractor **KL-0186-14 EA** also fits the above-mentioned engines.

Necessary Accessories:

KL-0186-14 EA Injector Extractor Kit; depending on the injector, the Supplementary Kit **KL-0186-128..** may be required.

Scope of delivery:

KL-0186-1236 Set of Support Bolts, M6, 129mm

Part No.	Description	Qty
KL-0186-1236-20	Support Bolt, 129mm	4
KL-0186-1235-4	Set Screw, M6x65mm	4
KL-0186-1251-1	Spacer Nut, 5mm	4

12 pcs.





8 pcs.



KL-0186-1238

(Code 2798336)

Set of Support Bolts, M6, 129mm

Suitable for diesel engines on Opel 1.7 + 3.0 CDTi (A17DT, A17DTC, A17DTJ, A17DTR, Z30DT, Y30DT) and Renault 3.0 dCi (P9X* - V-engines: engine removal may be necessary for space reasons)

For example, installed on Opel Astra H, Astra J, Meriva B, Zafira B, Vectra C, Signum; Renault: Espace (IV), Vel Satis.

By using the support bolt kit, the injector extractor **KL-0186-14 EA** also fits the above-mentioned engines.

Necessary Accessories:

KL-0186-14 EA Injector Extractor Kit; depending on the injector, the Supplementary Kit **KL-0186-128..** may be required.

Scope of Delivery:

KL-0186-1238 Set of Support Bolts, M6, 129mm

Part No.	Description	Qty
KL-0186-1236-20	Support Bolt, 129mm	4
KL-0186-1235-2	Set Screw, M6x25mm	4



8 pcs.



KL-0186-1234

(Code 2411229)

Set of Support Bolts, M6 (113.5mm and 153.5mm)

Applicable to Renault, Nissan, Opel/Vauxhall 2.2 and 2.5 dCi Diesel engines (engine codes: G9T and G9U) as found in Renault: Avantage, Espace III, Espace IV, Laguna II, Master II, Master III, Traffic II, Vel Satis; Nissan: Interstar, Primastar and Vauxhall/Opel Movano, Vivaro.

By using the support bolt kit, the injector extractor **KL-0186-14 EA** also fits the above-mentioned engines.

Necessary Accessories:

KL-0186-14 EA Injector Extractor Kit; depending on the injector, the Supplementary Kit **KL-0186-128..** may be required.

Scope of Delivery:

KL-0186-1234 Set of Support Bolts M6 (113.5mm and 153.5mm)

Part No.	Description	Qty
KL-0186-1234-10	Support Bolt, 113.5mm	2
KL-0186-1234-20	Support Bolt, 153.5mm	2
KL-0186-1235-2	Set Screw, M6x25mm	4



8 pcs.



KL-0186-1239

(Code 2838044)

Set of Support Bolts, M7, 132.5mm

Suitable for Opel/Vauxhall and Fiat 1.3 Common Rail Diesel engines. for example, fitted to Opel/Vauxhall Agila, Corsa C, Corsa D, Meriva A, Meriva B, Tigra B; Fiat Punto (188), Idea (135), Doblo (223), Doblo (263). (Engine codes: Z13DT, Z13DTH, Z13DTC, Z13DTJ, 188A9.000)

By using the support bolt kit, the injector extractor **KL-0186-14 EA** also fits the above-mentioned engines.

Necessary Accessories:

KL-0186-14 EA Injector Extractor Kit; depending on the injector, the Supplementary Kit **KL-0186-128..** may be required.

Scope of Delivery:

KL-0186-1239 Set of Support Bolts, M7, 132.5mm

Part No.	Description	Qty
KL-0186-1239-10	Support Bolt, 132.5mm	4
KL-0186-1235-6	Set Screw, M7x55mm	4

4.4 Injection System

KL-0186-130 A (Code 3293882) Support Bolt Kit for KL-0186-14 EA

Applicable to Fiat Ducato, Citroën Relay/Jumper III, Peugeot Boxer III and Iveco 2.3; 2.4 and 3.0 JTD / HDI Common Rail Diesel engines (Engine Codes: F1CE3481E, F1CE3481M, F1CE3481N, F30DTE [F1CE 3481D, F1CE 3481DM, F1CE 3481E, F1CE 3481N] also Euro 5), as well as Alfa Romeo 1.9 JTD (Engine code: 937A5.000).

By using the support bolt kit, the injector extractor **KL-0186-14 EA** also fits the above-mentioned engines.

Note: For 3.0 JTD/HDI (Euro 5) engines with extremely tight-fitting injectors, use the supplementary kit - KL-0186-132.

Necessary Accessories:

KL-0186-14 EA Injector Extractor Kit; depending on the injector, the Supplementary Kit **KL-0186-128..** may be required.

Scope of Delivery: KL-0186-130 A Support Bolt Kit for KL-0186-14 EA

Part No.	Description	Qty
KL-0186-1232-1	Support Bolt, 120mm	4
KL-0186-1261-1	Spacer Nut, 10mm	4

8 pcs.



KL-0186-132 (Code 2938014) Support Bolt / Supplementary Kit for KL-0186-14 EA

Applicable to the Fiat Ducato 3.0 JTD (Euro 5), Citroën Relay/Jumper III and Peugeot Boxer III 3.0 HDI (Euro 5) Common Rail Diesel engines.

Engine codes: F1CE3481E, F1CE3481M, F1CE3481N, F30DTE (F1CE 3481D, F1CE 3481DM, F1CE 3481E, F1CE 3481N)

By using the support bolt / supplementary kit, the injector extractor **KL-0186-14 EA** also fits the above-mentioned engines, particularly for tight-fitting injectors.

By using the special draw hook in addition to the pulling spindle, force is not only applied to the injector via the draw spindle but also via the draw hook when removing. In this way, the injector is unlikely to break and can be removed in one piece.

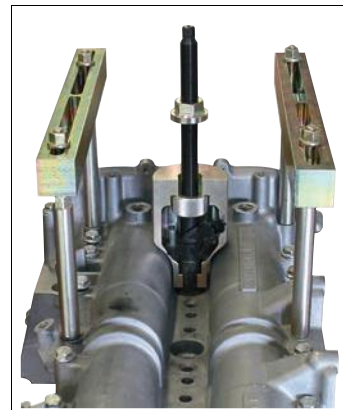
Necessary Accessories:

KL-0186-14 EA Injector Extractor Kit; depending on the injector, the Supplementary Kit **KL-0186-128..** may be required.

Scope of Delivery: KL-0186-132 Support Bolt/Supplementary Kit for KL-0186-14 EA

Part No.	Description	Qty
KL-0186-1232-1 L	Support Bolt, 175mm	4
KL-0186-1321	Special Injector Puller Claw	1
KL-0186-1322	Knurled Nut	1
KL-0186-1323	Hex Nut	1

7 pcs.



KIS

KLANN Information System

Now you have convenient access to our „KIS“ also with your mobile phone. So you can convert OE tool numbers to our article numbers at any time and wherever you are.



KIS goes mobile ...





2 pcs.



KL-0186-1281

(Code 3293823)

Supplementary Kit Siemens Injector M25x1

Fits Siemens injectors with an internal thread of M25x1 and a wrench size of 25mm. For example, fits particularly with VW, Audi, Seat, Škoda 1.6 TDI (CAYA, CAYB, CAYC, CAYD, CAYE, CLNA)

By using the supplementary kit, the injector extractor **KL-0186-14 EA** also fits the above-mentioned injectors and engines.

Necessary Accessories:

KL-0186-14 EA Injector extractor kit; depending on the engine, the support bolt kit **KL-0186-123.. / -124..** may be required.

Alternative Drive:

Injector Extractor Adapter **KL-0369-4111** and Impact Extractor **KL-0049-300** (4.8kg) or **KL-0369-4100** (1.5kg)

Scope of Delivery:

KL-0186-1281 Supplementary Kit Siemens Injector M25x1

Part No.	Description	Qty
KL-1383-1021	Pull Spindle M25x1	1
KL-1383-1022	Special Socket (waf) 25	1



2 pcs.



KL-0186-1282

(Code 3293831)

Supplementary Kit Siemens Injector M27x1

Fits Siemens injectors with an internal thread of M27x1 and a wrench size of 27mm.

By using the supplementary kit, the injector extractor **KL-0186-14 EA** also fits the above-mentioned injectors.

Necessary Accessories:

KL-0186-14 EA Injector extractor kit; depending on the engine, the support bolt kit **KL-0186-123.. / -124..** may be required.

Alternative Drive:

Injector Extractor Adapter **KL-0369-4111** and Impact Extractor **KL-0049-300** (4.8kg) or **KL-0369-4100** (1.5kg)

Scope of Delivery:

KL-0186-1282 Supplementary Kit Siemens Injector M27x1

Part No.	Description	Qty
KL-1383-1221	Pull Spindle M27x1	1
KL-1383-1222 A	Special socket (waf) 27	1



2 pcs.



KL-0186-1283

(Code 3293858)

Supplementary Kit Denso Injector M16x1

Fits Denso injectors with an internal thread of M16x1 and a wrench size of 17mm.

By using the supplementary kit, the injector extractor **KL-0186-14 EA** also fits the above-mentioned injectors.

Necessary Accessories:

KL-0186-14 EA Injector extractor kit; depending on the engine, the support bolt kit **KL-0186-123.. / -124..** may be required.

Alternative Drive:

Injector Extractor Adapter **KL-0369-4111** and Impact Extractor **KL-0049-300** (4.8kg) or **KL-0369-4100** (1.5kg)

Scope of Delivery:

KL-0186-1283 Supplementary Kit Denso Injector M16x1

Part No.	Description	Qty
KL-0186-1612	Pull Spindle M16x1	1
KL-4417-17 A	Fork Spanner (waf) 17	1

4.4 Injection System

KL-0186-1284 (Code 3293874) Supplementary Kit Denso Injector M20x1

Fits Denso injectors with an internal thread of M20x1 and an external thread of M25x0.5 / M25x0.75 and a wrench size of 27mm.

By using the supplementary kit, the injector extractor **KL-0186-14 EA** also fits the above-mentioned injectors.

Necessary Accessories:

KL-0186-14 EA Injector extractor kit; depending on the engine, the support bolt kit **KL-0186-123.. / -124..** may be required.

Alternative Drive:

Injector Extractor Adapter **KL-0369-4111** and Impact Extractor **KL-0049-300** (4.8kg) or **KL-0369-4100** (1.5kg)

Scope of Delivery:

KL-0186-1284 Supplementary Kit Denso Injector M20x1

Part No.	Description	Qty
KL-0186-1611 A	Draw spindle M20x1 with 2 nuts	1
KL-1383-1222 A	Special socket (waf) 27	1
KL-0186-2201	Special Insert	1

5 pcs.



KL-0186-1285 (Code 3293866) Supplementary Kit Delphi / Bosch Injector M18

Suitable for Delphi / Bosch injectors with lateral fuel connection (90° angle to the injector).

By using the supplementary kit, the injector extractor **KL-0186-14 EA** also fits the above-mentioned injectors.

Necessary Accessories:

KL-0186-14 EA Injector extractor kit; depending on the engine, the support bolt kit **KL-0186-123.. / -124..** may be required.

Alternative Drive: Impact Extractor **KL-0049-300** (4.8kg) or **KL-0369-4100** (1.5kg)

Scope of Delivery:

KL-0186-1285 Supplementary Kit Delphi / Bosch Injector M18

Part No.	Description	Qty
KL-0186-1711	Draw Spindle M18	1
KL-0369-420	Nozzle Extractor	1

2 pcs.



KL-0369-4111 (Code 2337711) Adaptor

This tool is designed for the extraction of injection nozzles which are only slightly seized in place.

Necessary Drive Parts (cf. Chapter Drives):

KL-0049-300 (4.8kg) or **KL-0369-4100** (1.5kg) Slide Hammer Puller

Recommended Accessory:

KL-0186-1281 / -1282 (Siemens),

KL-0186-1283 / -1284 (Denso),

KL-0186-1285 (Delphi / Bosch) - Upgrade Kit Injector specific

Technical Data:

Thread 1:	M18
Thread 2:	M16x1.5





4 pcs.



KL-0680-80 K

(Code 3254402)

Injector Nozzle Puller in a Plastic Storage Case, Ford EcoBlue 2.0

Applicable to Ford 2.0 EcoBlue Diesel engines.

Fitted to: Ford Transit (2014 onwards) and Transit Custom (2012 onwards) etc.

Alternative tool: Ford 303-1690/1 + 303-1690/2 and 303-1690 respectively.

Allows for removing stuck/tight-fitting injector nozzles in situ on the vehicle, without having to dismantle the cylinder head.

Recommended Accessory:

KL-0369-59 Puller for Sealing Ring (Alternative tool: Ford 303-1690/3)

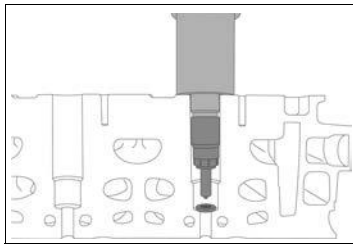
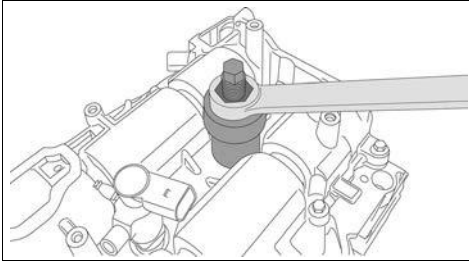
Note:

Stuck sealing rings on the injector nozzle seat can be removed properly by using the **KL-0369-59** puller which is available as accessory.

Scope of Delivery:

KL-0680-80 K Injector Nozzle Puller in a Plastic Storage Case, Ford EcoBlue 2.0

Part No.	Description	Qty
KL-0680-800	Support Sleeve with Bearing	1
KL-1383-1112	Shoulder Nut, M16x1.5	1
KL-0680-8002	Pull Spindle, M17x0.75, 200mm long	1
KL-0680-8011	Injector Removal Socket	1
KL-0680-8090	Plastic Storage Case	1



7 pcs.



KL-0187-100 E

(Code 3283798)

Injector Extractor Kit for Direct Injection Petrol Engines, in Foam Insert

Fits universally for passenger cars and vans with direct injection petrol engines with BOSCH, SIEMENS VDO, CONTINENTAL, MAGNETI-MARELLI, and DENSO injectors. Installed for example on VW-Audi, Seat, Škoda (FSI, TSI, TFSI), Alfa Romeo, BMW, Ford, Hyundai, Nissan, Mercedes, Opel, and many more.

Alternative tools: VW T10133, T10133/1, T10133/2, T10133/3, T10133/9; Ford 205-047, 205-047-08, 310-206; Nissan KV10119600; Opel / Vauxhall J-37281-A

For quick and professional removal of injectors on direct injection petrol engines. Required, for example, when replacing the injectors and when dismantling the valve cover.

For this, the injector is loosened and pulled out using the impact extractor. The different extractors allow safe operation on the respective injector.

Recommended Accessories:

KL-0187-101 Injector Repair Kit

Storage System:

KL-4990-9274 Plastic Case

Technical Data:

Impact weight:	0.9kg
Length of impact extractor:	300mm
Mounting thread for impact extractor:	M10

Scope of Delivery:

Injector Extractor Kit for Direct Injection Petrol Engines, in Foam Insert

Part No.	Description	Qty
KL-0187-1001	Extractor for impact hammer size 1	1
KL-0187-1002	Extractor for impact hammer size 2	1
KL-0187-1003	Extractor for impact hammer size 3	1
KL-0187-1004	Extractor for impact hammer size 4	1
KL-0187-1005	Extractor for impact hammer size 5	1
KL-0049-1205	Plastic sleeve	1
KL-0049-101	Impact extractor base unit	1
KL-0187-1090	Foam insert	1



4.4 Injection System

KL-0187-101 (Code 3283828) Injector Repair Kit for Direct Injection Petrol Engines

Fits universally for passenger cars and vans with direct injection petrol engines with BOSCH, SIEMENS VDO, CONTINENTAL, MAGNETI-MARELLI, and DENSO injectors. Installed for example on VW-Audi, Seat, Škoda (FSI, TSI, TFSI), Alfa Romeo, BMW, Ford, Hyundai, Nissan, Mercedes, Opel, and many more.

Alternative tools: VW T10133, T10133/5, T10133/6, T10133/7, T10133/8; BMW 130280, 130281, 130282, 130283, 130190, 130192, 130193, 130194, 130195; Opel / Vauxhall EN-48266, 48266-1, 48266-2; Ford 310-128; Hyundai 09353-2B000; NISSAN / INFINITI KV10119750

For damage-free assembly of combustion chamber sealing rings (Teflon sealing rings), and O-rings (fuel side) on direct injection petrol injectors.

Before reinstalling a used injector, replace the sealing rings as specified by the manufacturer. The new sealing rings are simply pushed on the injector via the assembly cone with the aid of the calibration tool.

The sealing ring for the combustion chamber is additionally constricted (calibrated) in 2 stages at the seal-seat.

A new combustion chamber sealing ring which was not constricted during the installation will most probably be damaged when re-installing the injector.

Scope of Delivery:

KL-0187-101 Injector Repair Kit for Direct Injection Petrol Engines

Part No.	Description	Qty
KL-0187-1011	Calibration tool	1
KL-0187-1012	Mounting cone	1
KL-0187-1013	Mounting cone	1

3 pcs.



Recommended Accessories:

KL-0187-100 E Injector Extractor Kit for Direct Injection Petrol Engines

Storage System:

KL-4990-9274 Plastic Case, **KL-0187-1090** Foam Insert



KL-0369-59 (Code 1976877) Puller for Sealing Ring

Universally suitable for sealing rings with an internal diameter of from 4 to 16mm, e.g. injector nozzle sealing rings as found in Diesel engines on Ford, BMW, Mercedes, PSA etc.

Alternative tool: Ford 303-1690/3

The **KL-0369-59** puller allows for the professional removal of sealing rings; for example of those located between the injector nozzle and cylinder head.

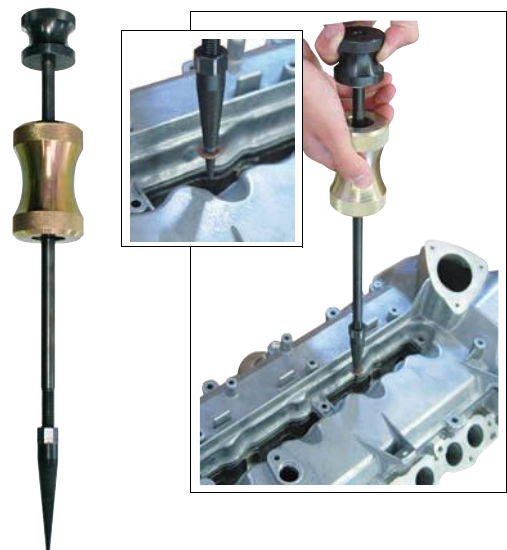
To remove the sealing ring, first screw the tapered tip of the tool into the ring, then pull it out by operating the slide hammer.

Technical Data:

Slide hammer weight:	0.9kg
Length:	385mm
For sealing ring internal Ø:	4-16mm

Scope of Delivery: KL-0369-59 Puller for Sealing Ring

Part No.	Description	Qty
KL-0049-101	Slide Hammer Puller (Base Tool)	1
KL-0369-5901	Tip	1



KL-0369-512 (Code 3293734) Set of Taps (M6 - M8)

Universally suitable for common rail Diesel engines such as by VW, Audi, Citroën, Fiat, Jeep, Mercedes, Peugeot, Smart, Seat, Škoda, and many others.

This set of taps enables professional re-cutting and cleaning of the threaded holes for the clamping screws on the injection nozzle holder or the injector fastening. These extra-long taps make it easy to reach the deep threads in the cylinder head without having to dismantle the valve cover.

Recommended Drive Parts:

GEDORE 8551 TG-2 Tool holder for taps

Technical Data:

Thread:	M6 / M7 / M8
Length:	100mm

3 pcs.



Scope of Delivery:

KL-0369-512 Set of Taps (M6 - M8)

Part No.	Description	Qty
KL-0369-51 A	Tap M6 with drilling head	1
KL-0369-511 A	Tap M7 with drilling head	1
KL-0369-5121	Tap M8 with drilling head	1



4 pcs.



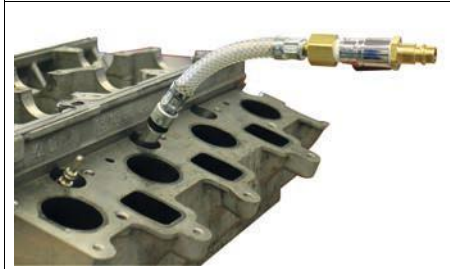
KL-0369-54 A

(Code 3091325)

Compressed Air Adaptor Kit

Universally suitable for use on M8x1, M9x1, M10x1 and M10x1.25 glow plug retaining threads, as found in:

Alfa Romeo, BMW, Chrysler, Citroën, Fiat, Ford, Lancia, Lexus, Mercedes, Nissan, Opel/Vauxhall, Renault, Saab, Suzuki, Toyota, Volvo, etc.



With the aid of the compressed air adaptor (in conjunction with the corresponding thread adaptor if necessary), which is to be screwed into the glow plug bore, compressed air can be injected into the combustion chamber so as to prevent impurities from entering the latter. The compressed air adaptor features a flexible hose allowing access even to glow plug bores that are hard to reach.

Technical Data:

Connection thread:	M8x1 / M9x1 / M10x1 / M10x1.25
Length (Compressed Air Adaptor):	205mm
Length (Thread Adaptor):	42mm

Scope of Delivery:

KL-0369-54 A Compressed Air Adaptor Kit

Part No.	Description	Qty
KL-0369-540 A	Compressed Air Adaptor, M10x1, with Flexible Hose	1
KL-0369-541	Thread Adaptor, M10x1 to M8x1	1
KL-0369-542	Thread Adaptor, M10x1 to M10x1.25	1
KL-0369-543	Thread Adaptor, M10x1 to M9x1	1



2 pcs.



KL-1383-30

(Code 2961857)

Seal Ring Installation Tool DV6 (16V)

Applicable to PSA 1.6 16V (DV6) Diesel engines. For example, fitted to Peugeot: 1007, 2008, 206, 206 CC, 207, 207 CC, 208, 3008, 301, 307, 308, 308 CC, 4008, 407, 5008, 508, Expert III, Partner I, Partner II, Partner III; Citroën: Berlingo, Berlingo II, Berlingo III, C2, C3 I, C3 II, C3 III, C3 Picasso, C4, C4 II, C4 Picasso, C4 Picasso II, C4 Grand Picasso, C4 Grand Picasso II, C4 Sedan, C4 Aircross, C5 II, C5 III, C-Elysee, Dispatch, Jumpy III, DS3, DS3 Convertible, DS4, DS5, Xsara Picasso; Fiat: Scudo; Volvo: C30, S40, S80, V50, V70; Ford: C-Max, Fiesta, Focus, Focus C-Max, Fusion; Mazda: 2, 3, 5 and Suzuki: SX4, SX4 Classic.

(Engine codes: DV6, G8DA, G8DB, HHDA, HHJA, HHJB, D4164T, Y6, 9HX)

This tool allows the user to quickly and professionally press the shaft seal into the injector location hole. The guide cone included in the kit ensures that the shaft seal is press-fitted in a straight line.

Technical Data:

External Ø (sleeve):	28.3mm
Length (sleeve):	150mm
Length (guide cone):	54mm

Scope of Delivery:

KL-1383-30 Seal Ring Installation Tool DV6 (16V)

Part No.	Description	Qty
KL-1383-3001	Guide Cone	1
KL-1383-3002	Sleeve	1



4.4 - Injection System

KL-0186-70 K (Code 2948184) Fuel Injector Sleeve Removal Tool

Universally suitable for Diesel engines having an injector nozzle seal seat \varnothing of 15mm; as fitted to: Alfa Romeo, BMW, Chevrolet, Chrysler, Fiat, Ford, Hyundai, Iveco, Mazda, Mercedes, Opel/Vauxhall, PSA, Renault, Toyota and Volvo.

The **KL-0186-70 K** fuel injector sleeve removal tool is designed for the precise removal of the injector sleeve if injectors are broken off. No need for removing the cylinder head. This is an essential tool if a seized injector nozzle breaks during removal and the injector sleeve remains stuck in the cylinder head. The use of the special pull spindle **KL-0186-7051 H** (included in the kit), allows the user to extract the complete injector sleeve quickly and with ease.

Procedure: Disassemble the remains of the broken-off injector, cut a thread into injector sleeve, screw in pull spindle, pull out injector sleeve with the aid of the corresponding injector nozzle puller set.

Necessary drive parts (cf. Chapter Drives):

KL-0186-14 EA Injector Nozzle Puller Set

KL-0040-175 B Hydraulic Cylinder (17t)

KL-0215-35 M25 Hydraulic Pump

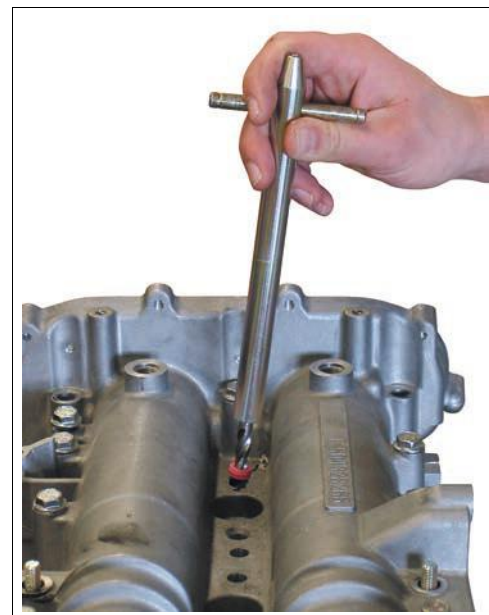
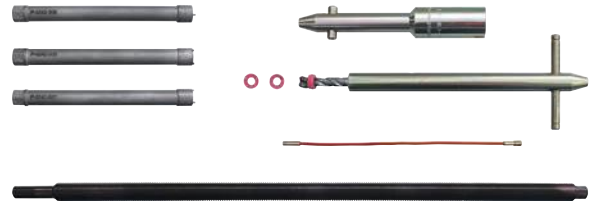
Technical Data:

Maximum load capacity of the pull spindle:	5t
Nozzle needle removal tool (max. torque):	15Nm
Nozzle needle removal tool (length):	150mm
Screw tap:	7/16-20 UNF
Screw tap length:	240mm
Pull spindle (connection thread for extraction bridge):	M16x1.5
Pull spindle (connection thread for injector nozzle):	7/16-20 UNF
Pull spindle length:	480mm

Scope of Delivery: KL-0186-70 K Fuel Injector Sleeve Removal Tool

Part No.	Description	Qty
KL-0186-701	Nozzle Needle Removal Tool	1
KL-0186-702	Nozzle Needle Removal Tool	1
KL-0186-703	Nozzle Needle Removal Tool	1
KL-0186-704	Screw Tap, 7/16-20UNC, with Holder	1
KL-0186-501	Extension	1
KL-0186-7051 H	Pull Spindle, 7/16-20UNF	1
KL-0186-7043	Rubber-Coated Annular Magnet	2
KL-0126-221	Flexible Magnetic Lifter	1
KL-0186-7090	Plastic Storage Case	1

10 pcs.



KL-0186-53 K (Code 2918986) Cleaning Tool Set (Universal) for Injector Nozzle Seat

Universally suitable for use on the VW-Audi, Seat, Škoda, Citroën, BMW, Ford, Land Rover, Mazda, Mercedes, Opel/Vauxhall, Peugeot, Renault, Toyota, Volvo Diesel engines having a plane injector nozzle seat \varnothing of 17mm; also suitable for use on the VW-Audi, Seat, Škoda 2.0 TDI pump nozzle unit (unit injector) engines having a conical injector nozzle seat \varnothing of 17mm. (Engine codes: VW-Audi/Seat/Škoda: AXD, BAY, BLE, BNZ, BNM, BMM, BNV, BKC, BWF, BXE, BLS; Mercedes: OM611, OM612, OM613, OM640, OM642, OM644, OM646, OM646 EVO, OM647, OM648, OM668; Peugeot: DT17, DT20, DV4, DV6, DW10, DW12; Citroën: DV4; Renault: F9Q, G9T, G9U, K9K; BMW: M47, M47TU, M57, M57TU; Opel/Vauxhall: Z13DT; Ford: G8DA, G8DB, HHDA, HHJA, HHJB; Volvo: D4164T; Mazda: Y6; Toyota: 2AD-FTV, 1KD-FTV; Land Rover: TD4, M47D)

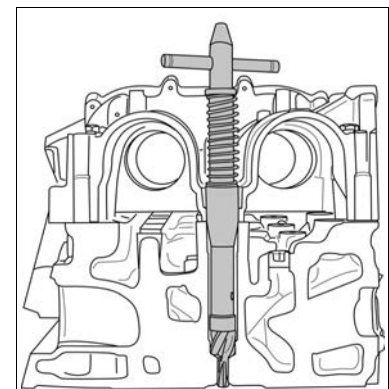
The cleaning tool set enables the quick and professional cleaning of both plane and conical injector nozzle seats. Before installing/re-installing an injector nozzle, it is essential to properly and thoroughly clean the seal seat in order to avoid leakage between cylinder head and injector nozzle. The spring-loaded centring cone sleeve ensures that the cleaning tool is accurately guided in the injector nozzle bore, thus enabling the seal seat to be cleaned properly and without any trouble.

Note: The cleaning tool set includes the **KL-0186-52** cleaning tool.

Scope of Delivery: KL-0186-53 K Cleaning Tool Set (Universal) for Injector Nozzle Seat

Part No.	Description	Qty
KL-0186-50 B	Cleaning Tool for Injector Nozzle Seat	1
KL-0186-5202	Cleaning Head, \varnothing 7.5/17mm	1
KL-1383-1329	Plastic Storage Case	1

3 pcs.



Technical Data:

Drive:	T-Handle
Length:	238mm
Cleaning tool \varnothing :	7.5/17mm

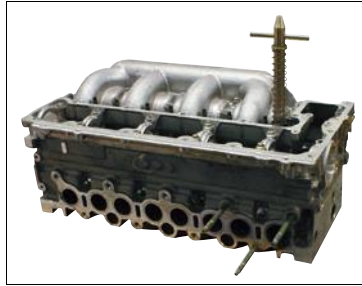


2 pcs.



KL-0186-50 B

Cleaning Tool (Universal) for Injector Nozzle Seat



Universally suitable for the VW-Audi, Seat, Škoda, Citroën, BMW, Ford, Land Rover, Mazda, Mercedes, Opel/Vauxhall, Peugeot, Renault, Toyota, Volvo Diesel engines having an injector nozzle seat \varnothing of 17mm.

Engine codes: VW-Audi/Seat/Škoda: AXD, BAY, BLE, BNZ, BNM, BNV, BKC, BWF, BXE, BLS; Mercedes: OM611, OM612, OM613, OM640, OM642, OM646, OM646 EVO, OM647, OM648, OM668; Peugeot: DT17, DT20, DV4, DV6, DW10, DW12; Citroën: DV4; Renault: F9Q, G9T, G9U, K9K; BMW: M47, M47TU, M57, M57TU; Opel/Vauxhall: Z13DT; Ford: G8DA, G8DB, HHDA, HHJA, HHJB; Volvo: D4164T; Mazda: Y6; Toyota: 1ND-TV, 1CD-FTV, 1KD-FTV, 2AD-FHV, 2AD-FTV, 2KD-FTV H, 2KD-FTV L, W17D14 [1ND]; Land Rover: TD4, M47D

The tool allows for the quick and professional cleaning of injector nozzle seats. Before installing/re-installing an injector nozzle, it is absolutely necessary to clean the seal seat in order to avoid leakage between the cylinder head and injector nozzle. The spring-loaded centring cone sleeve ensures that the cleaning tool is accurately guided in the injector nozzle bore, thus enabling the seal seat to be cleaned properly and without any trouble.

Recommended Accessory: KL-0186-501 Extension (150mm)

Technical Data:

Drive:	T-Handle
Length:	238mm
Cleaning tool \varnothing :	7.3/17mm



KL-0190-41 A

(Code 3236579)

Release/Removal Pliers

Fits VW-Audi 1.6 and 2.0 common rail Diesel engines. For example, installed on Audi A1 (8X), A3 (8V), A4 (B9, 8W), A5 (8F), A6 (C7, 4G), Q3 (8U), Q5 (8R), TT (FV, 8S); VW Golf VII (AU, 5G), Passat (B8, 3G), Scirocco III (13), etc.

Plastic rivets for example on the wishbone of Audi A4, A5, A6

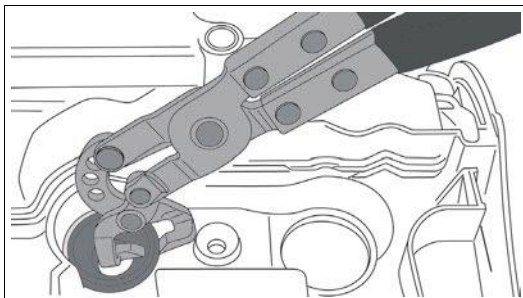
Alternative tool: VAS 211 007, T40195

For removing press-fit injector seal rings from the cylinder head quickly and with ease. The pliers are also designed to unlock and pull out the re-usable two-part plastic body-bound rivets from door and underbody panels.

The pliers head can be adjusted up to an angle of 90°, thus allowing you to work even in hard-to-reach areas.

Technical Data:

Length:	240mm
---------	-------



KL-0193-10 A

(Code 2708264)

Pliers for Protection Cap

Universal application.

Suitable for use on VW-Audi, Seat, Škoda vehicles equipped with 2.0 Common Rail Diesel engines.

(Engine codes: DBAA, CBBB, CBAB, CBBA, CDBD, CBDC, CBAC, CBDA)

Intended for the removal of stuck and hard-to-reach glow plug connectors.

Also for the safe and damage-free removal of plastic protection caps from wheel bolts.



KL-0127-6

(Code 1753029)

Spark Plug Connector Pliers

Applicable to virtually any vehicle.

Alternative tool: W 103 589 00 37 00

The pliers feature 10° angled, long clamping jaws. Grooves in the jaws prevent the pliers from slipping off. Long pliers shanks enable also deep-seated spark plug connectors to be pulled off, and additionally offer extended safety distance to the hot engine.

4.5 - Glow Plug / Spark Plug

KL-0127-81

[Code 1903888]

Ignition Coil Puller

Suitable for use on 1.4 and 1.6 16V petrol injection engines.

e.g. in VW Bora, Golf, New Beetle etc.

(Engine codes: AZD, BCA, BCB)

Alternative tool: T10094, T10094A

This tool is used to remove and install ignition coils with final output stage on VW/Audi petrol injection engines.

Technical Data:

Length:	137mm
Weight:	145g
Opening width:	26.3mm



KL-0127-86

[Code 3043193]

Ignition Coil Puller

Suitable for use on VW-Audi, Seat and Škoda 1.2, 1.4, 1.8, as well as 2.0 FSI / TSI / TFSI petrol engines as fitted to: VW Beetle (5C), Eos (1F), Golf SV/Sportsvan (AM), Golf VI (5K, AJ), Golf VII (5G, BE, BA), Jetta (162), Passat VI (36), Passat CC (357), Polo V (6R, 6C), Sharan (7N), Tiguan (5N); Audi A1 (8X), A3 (8P), Q3 (8U), TT (8J); Seat Alhambra (71), Leon (5F); Škoda Kodiaq (NS7 / NV7), Octavia II (1Z), Octavia III (5E), Rapid (NH), Superb II (3T) etc.

(Engine codes: CHPA, CHZD, CJSB, CJXB, CJXC, CJZA, CJZB, CMBA, CPTA, CPVA, CPVB, CPWA, CUKA, CUKB, CWVA, CXCA, CXSA, CXSB, CYVA, CYVB, CZCA, CZDA, CZEA, CCZA, CHPA, CJSB, CJZA, CJZB, CMBA, CPTA, CPVA, CPVB, CPWA, CXSA, CYVA, CYVB, CZDA, CZEA)

Alternative tool: T10530

This tool is designed to remove and install ignition coils with final output stage. The expansion cone of the puller ensures that the tool is safely and securely held in the ignition coil without any risk of damage.



Technical Data:

Length:	95mm
---------	------

KL-0369-900 KC

[Code 3242757]

Set of Glow Plug/Spark Plug Sockets with Joint

Universal suitable.

Alternative tools: W 001 589 78 09 00, 3220, U-40082

An indispensable tool set for the professional and damage-free removal and installation of spark plugs, glow plugs as well as 'PSG' glow plugs (pressure sensor glow plugs). The sockets are provided on the inside with a retaining rubber to prevent the spark plug/glow plug from falling out unintentionally.

The long and slim design of the sockets allows even deep-seated glow plugs/spark plugs that are difficult to reach to be removed quickly and with ease.

Using a conventional socket risks damaging the 'PSG' glow plug during removal/installation. When removing/installing 'PSG' glow plugs, the protective cap (supplied with the tool set) must always be used in order to protect the plug connector against dirt and electrostatic charging.

Recommended Accessory:

3093 U-20 Reversible Ratchet, 3/8"

4549-05 Torque Wrench, 10 - 50 Nm

3020 Reducer, 3/8" to 1/4"

Scope of Delivery: KL-0369-900 KC Set of Glow Plug/Spark Plug Sockets with Joint

Part No.	Description	Qty
KL-0369-9001 A	Glow Plug Socket with Joint, Size (waf) 8mm	1
KL-0369-9002 A	Glow Plug Socket with Joint, Size (waf) 9mm	1
KL-0369-9003 A	Glow Plug Socket with Joint, Size (waf) 10mm	1
KL-0369-9007 A	Glow Plug Socket with Joint, Size (waf) 12mm, for 'PSG' Glow Plug	1
KL-0127-48	Spark Plug Socket with Joint, Size (waf) 14mm	1
KL-0369-9006 A	Spark Plug Socket with Joint, Size (waf) 16mm	1
KL-0369-9007-10	Protective Cap for 'PSG' Glow Plug	5
KL-0369-9090 C	Plastic Storage Case	1

11 pcs.



1/4"

3/8"



Technical Data:

Size (waf):	8, 9, 10, 12, 14, 16mm
Drive:	1/4" + 3/8"
Length:	85mm



Technical Data:

Size (waf):	14mm
Drive:	3/8"
Length:	90mm



KL-0127-43

(Code 1902172)

Spark Plug Socket, Size (waf) 14mm

Suitable for use on **BMW 3 Series (E90 [N53B]); Citroën C5 (HPI); Peugeot 207 (1.6 16V), 406 (HPI); Mini One (1.4) etc.**

Designed to remove and install spark plugs.

Recommended Accessory:

3093 U-20 Reversible Ratchet, 3/8", **4549-05** Torque Wrench, 10 - 50Nm



Technical Data:

Size (waf):	14mm
Drive:	3/8"
Length:	250mm



KL-0127-44

(Code 1902180)

Spark Plug Socket, Size (waf) 14mm

Suitable for use on **Citroën C5 (HPI); Peugeot 207, 308 (1.6 16V), 406 (HPI); Renault Megane IV (1.2 Tce); Mini One 1.4 etc.**

Designed to remove and install spark plugs.

Recommended Accessory:

3093 U-20 Reversible Ratchet, 3/8", **4549-05** Torque Wrench, 10 - 50Nm



Technical Data:

Size (waf):	16mm
Drive:	3/8"
Length:	250mm



KL-0127-46

(Code 1902202)

Spark Plug Socket, Size (waf) 16mm

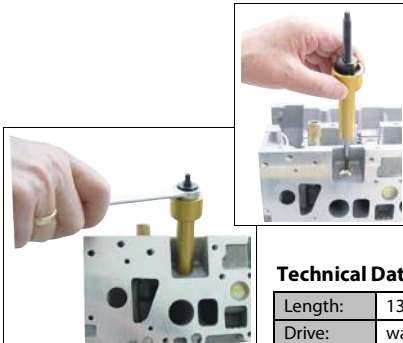
Suitable for use on **Jeep Compass; Kia Sportage (2.0 CVVT); Skoda Fabia (1.2 TSI), etc.**

Alternative tool: KM-194-E, KM-6363

Designed to remove and install spark plugs.

Recommended Accessory:

3093 U-20 Reversible Ratchet, 3/8", **4549-05** Torque Wrench, 10 - 50Nm



Technical Data:

Length:	135mm
Drive:	waf 19mm



KL-0369-201 A

(Code 2479176)

Glow Plug Removal Tool, Mercedes

Universally applicable to **Diesel engines having an M10x1 glow plug retaining thread and glow plugs with size (waf) of 10mm.**

The ideal tool for **Mercedes CDI engines OM 611, 612, 613, 646*, 647 and 648 etc. (*except 646 EVO)**

For extracting glow plugs that have been loosened, but are still stuck in their bore holes.

Recommended Accessory: **7 19** Combination spanner



Technical Data:

Drive:	waf 19/6mm
Length:	135mm



KL-0369-202

(Code 2968223)

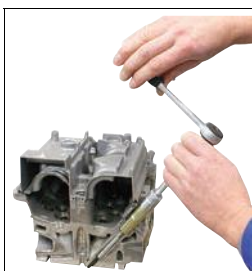
Glow Plug Removal Tool, M8x1

Universally applicable to **Diesel engines having an M8x1 glow plug retaining thread and glow plugs with size of 8mm waf. Particularly useful, for example, on Mercedes OM642, OM651, OM640; Fiat / Lancia / Opel/Vauxhall 1.3 JTD / CDTi; PSA: 2.2 (DW12), 1.4 (DV4 8V), 1.6 (DV6 8V + 16V), 2.7 (DT17) and VW 2.5 TDI.**

The tool is designed for pulling out glow plugs that have been unscrewed, but are still stuck in their bore hole in the cylinder head.

Recommended Accessory:

7 19 Combination spanner



Technical Data:

Electrode Ø:	2.5-4.5mm
Length:	70mm
Drive (waf):	17mm



KL-0369-300 A

(Code 2479184)

Roller-Type Stud Removal Socket

Suitable for electrodes with **Ø 2.5-4.5mm.**

The socket is used to twist the electrode top connector/protruding central electrode off the glow plug.

Recommended Accessory: **1993 U-20** Reversible Ratchet 1/2"

4.5 - Glow Plug / Spark Plug

KL-0132-56 EB (Code 3256820)

Universal Glow Plug Tool Set,
in a Foam Insert

77 pcs.



Universally applicable to Diesel engines having either an M8x1 or M10x1 glow plug retaining thread.

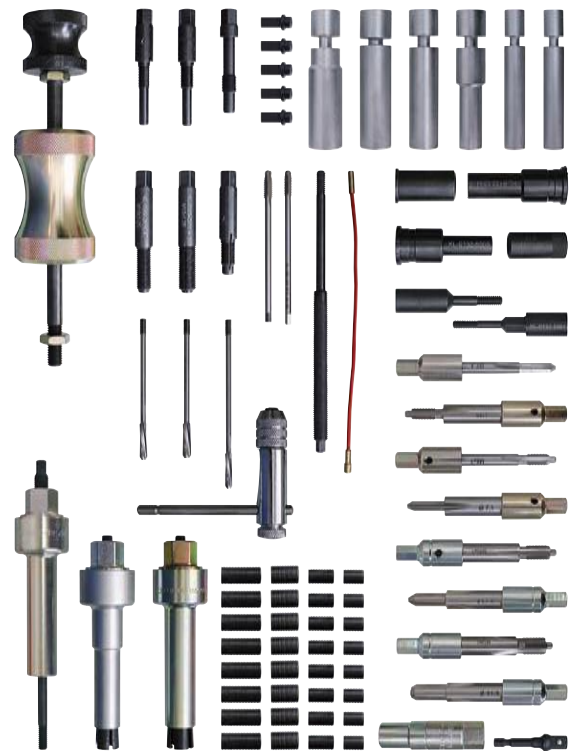
The ideal tool set for Mercedes (OM639, OM640, OM642, OM651); Fiat, Citroën, Peugeot, IVECO 2.3 JTD/HDI, 3.0 JTD/HDI, as well as Fiat, Alfa, Lancia 1.3 JTD Common Rail Diesel engines (F1A, F1C, F30 DT, 169A1.000, 169A5.000, 188A8.000, 188A9.000, 199A2.000, 199A3.000, 199A9.000, 199B1.000, 199B2.000, 199B4.000, 223A9.000, 263A2.000) and VW-Audi 2.5, 2.7, 3.0 V6 TDI engines.

The set contains all the tools required for the accurate drilling out and removal of broken-off and/or stuck/seized glow plugs as well as for re-tapping and cleaning the M8x1 and M10x1 glow plug retaining thread and aperture. It also allows the user to repair a damaged glow plug retaining thread by drilling it up from M8x1 to M10x1 and from M10x1 to M12x1 respectively. Then, the new glow plug fitted with an appropriate threaded sleeve (supplied with the set) can be screwed into the cylinder head. With the aid of the compressed air adaptor, air can be injected into the combustion chamber so as to prevent dirt and swarf from entering the latter when drilling out the glow plug.

The long and slim glow plug sockets with joint are designed to ease the removal of deep-seated and hard-to-reach glow plugs and spark plugs.

Scope of Delivery: KL-0132-56 EB Universal Glow Plug Tool Set, in a Foam Insert

Part No.	Description	Qty
KL-0369-201 A	Glow Plug Removal Tool	1
KL-0369-202	Glow Plug Removal Tool, M8x1	1
KL-0132-5502	Pilot Drill, Ø 7.1mm for M8x1	1
KL-0132-5503	Screw Tap, M8x1	1
KL-0283-7003	Guide Sleeve, Ø 13mm	1
KL-0132-5201	Guide Sleeve for Mercedes	1
KL-0132-5504	Guide Sleeve for Fiat JTD	1
KL-0132-5505	Guide Sleeve for Mercedes / Fiat	1
KL-1383-2234	Set of Threaded Sleeves, M8x1, 16mm long	1
KL-1383-2042	Set of Threaded Sleeves, M10x1, 26mm long	1
KL-0369-3023	Set of Threaded Sleeves, M10x1, 17mm long	1
KL-0369-3050	Puller Tool (Base Tool)	1
KL-1383-2052	Puller Bolt, 1/4"-20 UNC, 185mm long	1
KL-1383-2242	Puller Bolt, No.12-24 UNC, 165mm long	1
KL-0369-2510 A	Holder, M8x1, with Set Screw	1
KL-0369-2512 A	Reamer, Ø 4.8mm	1
KL-0369-2522 A	Reamer, Ø 5.2mm	1
KL-0369-2610 A	Holder, M9x1, with Set Screw	1
KL-0369-2710 A	Holder, M10x1, with Set Screw	1
KL-0369-2732 A	Reamer, Ø 5.8mm	1
KL-0369-2740 A	Holder, M10x1, with Set Screw	1
KL-0369-2810 A	Holder, M10x1.25 with Set Screw	1
KL-0369-2910 A	Holder, M12x1.25, with Set Screw	1
KL-0126-221	Flexible Magnetic Lifter	1
KL-0369-300 A	Roller-Type Stud Removal Socket	1
KL-0283-7021	Pilot Drill, Ø 9.1mm for M10x1	1
KL-0283-7022	Screw Tap, M10x1	1
KL-4007-2510	Adaptor for Power Drill, 3/8"	1
KL-1683-2063	Set of Threaded Sleeves, M8x1, 13mm long	1
KL-0369-306	Tap Wrench, with Square Socket	1
KL-0369-9001 A	Glow Plug Socket with Joint, 8mm waf, 1/4"	1
KL-0369-9002 A	Glow Plug Socket with Joint, 9mm waf, 1/4"	1
KL-0369-9003 A	Glow Plug Socket with Joint, 10mm waf, 3/8"	1
KL-0369-9007 A	Glow Plug Socket with Joint, 12mm waf, 3/8", for 'PSG' Glow Plug	1
KL-0127-48	Spark Plug Socket with Joint, 14mm waf, 3/8"	1
KL-0369-9006 A	Spark Plug Socket with Joint, 16mm waf, 3/8"	1
KL-1383-2241	Screw Tap, No.12-24 UNC	1
KL-0369-3056	Screw Tap, 1/4"-20 UNC	1
KL-0049-100	Slide Hammer Puller (Base Tool)	1
KL-1383-2231	Pilot Drill, Ø 7.1mm for M8x1	1
KL-1383-2232	Screw Tap, M8x1	1
KL-0283-7031 A	Pilot Drill, Ø 11.1mm for M12x1	1
KL-0283-7032 A	Screw Tap, M12x1	1
KL-0132-5501	Puller Bolt No. 12-24 UNC, for Slide Hammer Puller	1
KL-0132-5202	Puller Bolt 1/4"-20 UNC, for Slide Hammer Puller	1
KL-0369-3052	Shoulder Nut	1
KL-0132-5692 A	Foam Insert	1





9 pcs.



KL-0132-55 K

(Code 2691566)

Glow Plug Tool Set (Universal), M8x1

Suitable for use on M8x1 glow plug threads, e.g. on Mercedes OM639, OM640, OM642, OM651 and Fiat 1.3 JTD, 2.3 JTD, 3.0 JTD.

The universal glow plug tool set **KL-0132-55 K** enables the quick and easy drilling out of damaged or broken-off glow plugs.

The glow plug, respectively the top part of the glow plug is drilled out or drilled up with the aid of the pilot drill. Next, the original thread is recut and cleaned by means of the special screw tap. The residual glow plug body can then be extracted using the screw tap or a puller bolt in conjunction with a slide hammer puller.

The tool set also contains two special guide sleeves for Fiat JTD and Mercedes CDI engines. These sleeves ensure precise alignment and guidance as well as accurate drilling depth.

Recommended Accessory:

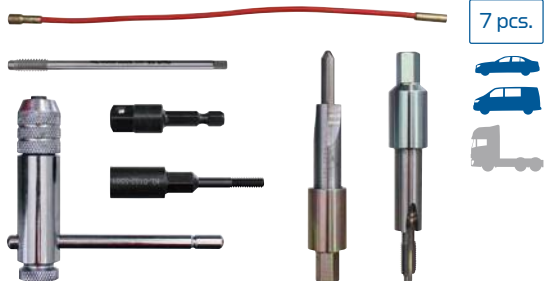
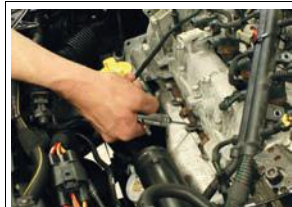
KL-0049-100 Slide Hammer Puller

KL-0369-300 A Roller-Type Stud Removal Socket

Scope of Delivery:

KL-0132-55 K Glow Plug Tool Set (Universal), M8x1

Part No.	Description	Qty
KL-0132-5501	Puller Bolt No. 12-24 UNC for Slide Hammer Puller	1
KL-0132-5502	Pilot Drill, Ø 7.1mm, for M8x1	1
KL-0132-5503	Screw Tap M8x1	1
KL-0132-5504	Guide Sleeve for Fiat JTD	1
KL-0132-5505	Guide Sleeve for Mercedes	1
KL-0369-306	Tap Wrench with Square Socket	1
KL-1383-2241	Screw Tap No.12-24 UNC	1
KL-4007-2510	Adaptor for Power Drill, 3/8"	1
KL-0126-221	Flexible Magnetic Lifter	1
KL-0132-5590 A	Plastic Storage Case	1



7 pcs.



KL-0132-61 KA

(Code 3043800)

Glow Plug Tool Set (Universal), M9x1

Universally suitable for use on the Alfa, Fiat, Lancia, Opel/Vauxhall and Saab 1.9 as well as 2.4 D / TiD / JTD / JTDM / CDTI Diesel engines having an M9x1 glow plug retaining thread.

For example, fitted to Alfa 147, 156, 159, 166, GT; Opel/Vauxhall Astra H, Astra V, Signum, Vectra C, Zafira; Saab 9-3; Fiat Croma, Stilo; Lancia Thesis etc. (Engine codes: 192A5.000, 841G.000, 841H.000, 937A5.000, 939A2.000, 939A3.000, 939A8.000, Z19DTH, Z19DTJ)

The universal **KL-0132-61 KA** glow plug tool set enables the quick and easy drilling out of damaged and broken-off glow plugs.

First, the glow plug, the glow plug top portion respectively, is drilled out/drilled up with the aid of the pilot drill. Next, the original thread is re-tapped and cleaned with the special screw tap. The remains of the glow plug body can then be removed by using either the screw tap or the puller bolt in conjunction with a slide hammer puller.

Recommended Accessory:

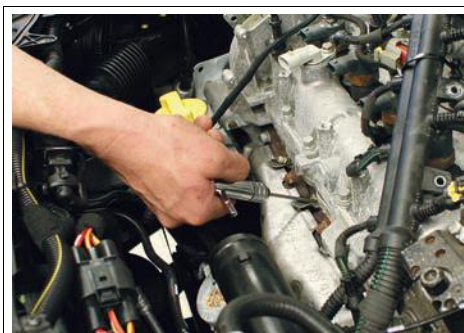
KL-0049-100 Slide Hammer Puller

KL-0369-300 A Roller-Type Stud Removal Socket

Scope of Delivery:

KL-0132-61 KA Glow Plug Tool Set (Universal), M9x1

Part No.	Description	Qty
KL-0126-221	Flexible Magnetic Lifter	1
KL-0132-5501	Puller Bolt No. 12-24 UNC, for Slide Hammer Puller	1
KL-0132-6101	Pilot Drill, Ø 8.1mm, for M9x1	1
KL-0132-6102	Screw Tap, M9x1	1
KL-0369-306	Tap Wrench with Square Socket, 2.4-5.5mm	1
KL-1383-2241	Screw Tap No.12-24 UNC, with Drill Bit	1
KL-4007-2510	Adaptor for Power Drill, 3/8", Square	1
KL-0132-5590 A	Plastic Storage Case	1



4.5 - Glow Plug / Spark Plug

KL-0132-52 K (Code 2123444) Glow Plug Tool Set (Universal), M10x1

Suitable for use on M10x1 glow plug threads; as found in VW-Audi, Mercedes, Opel/Vauxhall, Peugeot, Renault etc.

The universal glow plug tool set **KL-0132-52 K** enables the quick and easy drilling out of damaged or broken-off glow plugs.

The glow plug, respectively the glow plug top portion, is drilled out or drilled up with the aid of the pilot drill. Next, the original thread is recut and cleaned by means of the special tap. The residual glow plug body can then be extracted using the screw tap or a puller bolt in conjunction with a slide hammer puller.

The tool set also contains two special guide sleeves for VW Audi V6 TDI and Mercedes CDI engines. These sleeves ensure precise alignment and guidance as well as accurate drilling depth.

Recommended Accessory:

KL-0049-100 Slide Hammer Puller, **KL-0369-300 A** Roller-Type Stud Removal Socket

Scope of Delivery:

KL-0132-52 K Glow Plug Tool Set (Universal), M10x1

Part No.	Description	Qty
KL-4007-2510	Adaptor for Power Drill, 3/8" , Square Socket	1
KL-0283-7003	Guide Sleeve, Ø 13mm	1
KL-0132-5201	Guide Sleeve, for Mercedes	1
KL-0283-7021	Pilot Drill, Ø 9.1mm for M10x1	1
KL-0283-7022	Screw Tap, M10x1	1
KL-0369-306	Tap Wrench with Square Socket, 2.4-5.5mm	1
KL-0369-3056	Screw Tap, 1/4"-20 UNC, with Drill Bit	1
KL-0132-5202	Puller Bolt, 1/4"-20 UNC, for Slide Hammer Puller	1
KL-0126-221	Flexible Magnetic Lifter	1
KL-0132-5290 A	Plastic Storage Case	1

9 pcs.



KL-0132-62 KA (Code 3043835) Glow Plug Tool Set (Universal), M10x1.25

Universally applicable to Opel/Vauxhall, Mazda, Ford, Hyundai, Honda, Kia, Mini, Nissan and Toyota 1.4-3.0 D / DI / DTI / TD / CRDi / CDTi Diesel engines having an M10x1.25 glow plug retaining thread.

For example, fitted to Opel/Vauxhall Astra G, Astra H, Combo, Corsa C, Meriva, Signum, Vectra C; Mazda 626 II, 626 III, 626 IV, MPV I, B-Series; Ford Ranger; Hyundai Accent, Getz, Matrix; Honda Civic VI; Kia Besta, Pregio, K2700; Mini One D; Nissan Serena, Terrano II, Vanette; Toyota Yaris, Corolla etc.

(Engine codes: 1ND, 1ND-TV, 4EE-2, CD23, D4FA, LD23, MD25TI, R2, RF OHC, RF46, RF-CX, RF-N, TD27T, WL, WL-T, Y17DT, Y17DTL, Y30DT, Z17DTL, Z30DT)

The universal **KL-0132-62 KA** glow plug tool set enables the quick and easy drilling out of damaged and broken-off glow plugs.

First, the glow plug, the glow plug top portion respectively, is drilled out/drilled up with the aid of the pilot drill. Next, the original thread is re-tapped and cleaned with the special screw tap. The remains of the glow plug body can then be removed using either the screw tap or the puller bolt in conjunction with a slide hammer puller.

Recommended Accessory:

KL-0049-100 Slide Hammer Puller, **KL-0369-300 A** Roller-Type Stud Removal Socket

Scope of Delivery:

KL-0132-62 KA Glow Plug Tool Set (Universal), M10x1.25

Part No.	Description	Qty
KL-0126-221	Flexible Magnetic Lifter	1
KL-0132-5202	Puller Bolt, 1/4"-20 UNC, for Slide Hammer Puller	1
KL-0132-6201	Screw Tap, M10x1.25	1
KL-0283-7021	Pilot Drill, Ø 9.1mm, for M10x1.25	1
KL-0369-3056	Screw Tap, 1/4"-20 UNC, with Drill Bit	1
KL-0369-306	Tap Wrench with Square Socket, 2.4-5.5mm	1
KL-4007-2510	Adaptor for Power Drill, 3/8", Square	1
KL-0132-5590 A	Plastic Storage Case	1

7 pcs.





32 pcs.



KL-0369-33 K

(Code 2433877)

Glow Plug Tool Set, M8x1, Mercedes

Suitable for use on Mercedes CDI Diesel engines OM640 and OM642 with M8x1 glow plug thread.

The **KL-0369-33 K** glow plug tool set allows for the quick, accurate and professional drilling out of damaged or snapped-off glow plugs. The set also includes tools for the recutting, cleaning and repair of glow plug retaining threads as well as for the cleaning of glow plug bores.

First, the glow plug/top connector is drilled out/drilled up by means of the pilot drill. Next, the original thread is recut with the aid of the screw tap and cleaned. If glow plug retaining threads are damaged, these can be drilled up to M10x1 using the special re-bore tap.

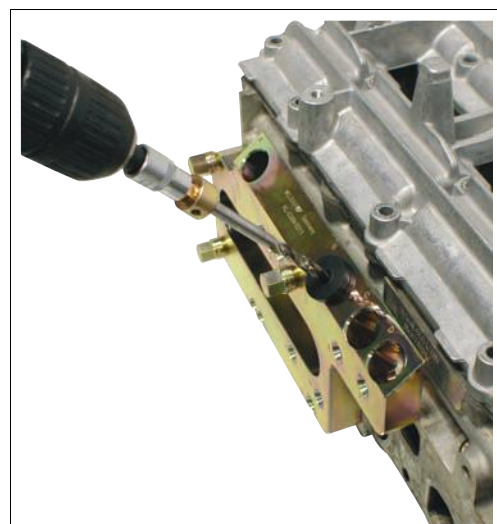
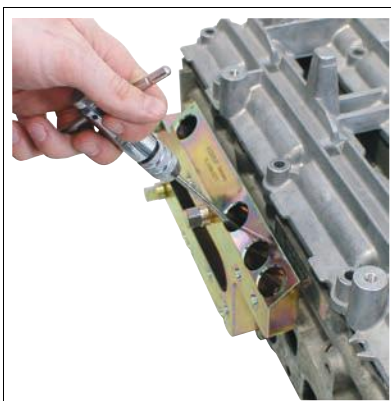
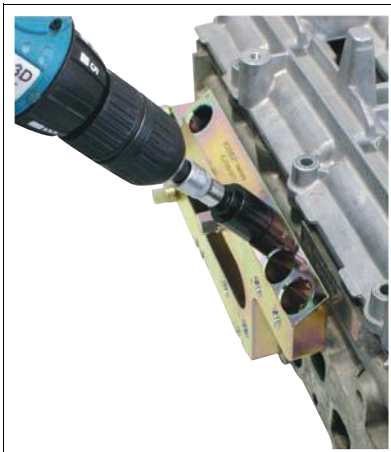
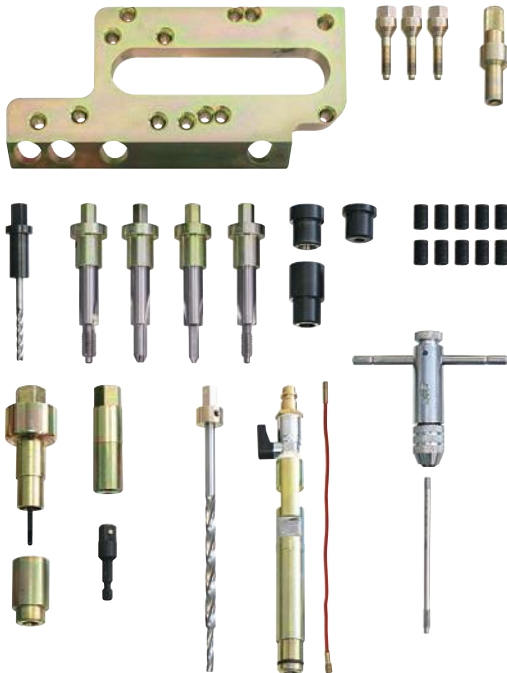
The use of the centring/guide sleeves in conjunction with the base plate ensures accurate and correct centring and guidance as well as the exact drilling depth when drilling out/repairing the thread. The remainder of the glow plug can be extracted with the puller.

Finally, the glow plug bore, the sealed seat, and the glow plug channel (the small aperture leading to the combustion chamber) are cleaned with the cleaning tool.

Scope of Delivery:

KL-0369-33 K Glow Plug Tool Set, M8x1, Mercedes

Part No.	Description	Qty
KL-0369-300 A	Roller-Type Stud Removal Socket	1
KL-0369-3311	Base Plate	1
KL-0369-3312	Special Screw, M7	3
KL-0369-3313	Setting Bolt	1
KL-0369-3321	Guide Sleeve for Milling Cutter	1
KL-4007-2510	Adaptor for Power Drill, 3/8", square socket	1
KL-1383-203	Milling Cutter for Glow Plug Electrode	1
KL-1383-2031	Milling Cutter for Glow Plug Electrode (Spare Milling Cutter)	1
KL-0369-3331	Guide Sleeve for Drill	1
KL-1383-2231	Pilot Drill, Ø 7.1mm for M8x1	1
KL-1383-2232	Screw Tap, M8x1	1
KL-0283-7021	Pilot Drill, Ø 9.1mm for M10x1	1
KL-0283-7022	Screw Tap, M10x1	1
KL-1383-2234	Set of Threaded Sleeves M8x1, 16mm long (10 units)	1
KL-0369-306	Tap Wrench with Square Socket, 2.4-5.5mm	1
KL-0369-334	Puller for Glow Plug Body	1
KL-0369-56 B	Compressed Air Adaptor, M10x1	1
KL-0369-3361	Guide Sleeve for Cleaning Tool	1
KL-0369-3362	Cleaning Tool, Ø 7/4.8mm	1
KL-0126-221	Flexible Magnetic Lifter	1
KL-0369-3390	Plastic Storage Case	1

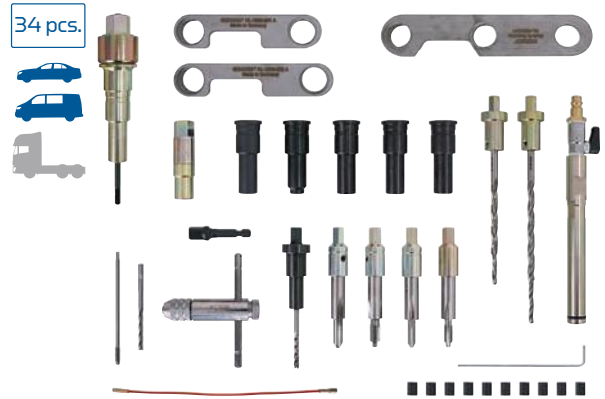


4.5 - Glow Plug / Spark Plug

KL-1683-22 K (Code 3254453)
Glow Plug Tool Set, M8x1

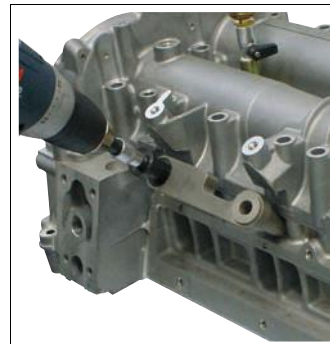
Suitable for use on Fiat, Alfa and Lancia 1.3 JTD (Euro 4) as well as 2.3 and 3.0 JTD / HDI Common Rail Diesel engines having an M8x1 glow plug retaining thread; as fitted to: Fiat 500 / 500C, Ducato, Doblo, Doblo Cargo, Doblo Work Up, Fiorino, Grande Punto, Idea, Linea, Panda, Punto, Punto Evo, Qubo, Strada Pick-up; Alfa MiTo; Lancia Musa, Ypsilon; IVECO Daily; Citroën Jumper; Peugeot Boxer.

The glow plug tool set includes all the tools required for the accurate removal/drilling out of broken-off and stuck glow plugs as well as for re-tapping and cleaning the original M8x1 glow plug retaining thread. It also allows the user to repair a damaged M8x1 glow plug retaining thread by drilling it up to M10x1. Then, a new glow plug along with an M10x1 to M8x1 threaded sleeve (also included) can be screwed into the cylinder head. With the aid of the compressed air adaptor, air can be injected into the combustion chamber so as to prevent dirt and swarf from entering the latter.



Scope of Delivery: KL-1683-22 K - Glow Plug Tool Set, M8x1

Part No.	Description	Qty
KL-0369-300 A	Roller-Type Stud Removal Socket	1
KL-1683-2012	Centring Sleeve	1
KL-1683-201	Base Mounting Plate, 2.3 JTD	1
KL-1683-202	Base Mounting Plate, 3.0 JTD	1
KL-1683-2031	Guide Sleeve for Milling Cutter	1
KL-4007-2510	Adaptor for Power Drill, 3/8"	1
KL-1683-2032	Milling Cutter for Glow Plugs	1
KL-1683-2041	Guide Sleeve for Drill	1
KL-1383-2231	Pilot Drill, Ø 7.1mm, for M8x1	1
KL-1383-2232	Screw Tap, M8x1	1
KL-0283-7021	Pilot Drill, Ø 9.1mm, for M10	1
KL-0283-7022	Screw Tap, M10x1	1
KL-1683-2063	Set of Threaded Sleeves, M8x1, 13mm long (10-pc.)	1
KL-0369-306	Tap Wrench with Square Socket, 2.4 - 5.5mm	1
KL-1683-207	Puller Kit for Glow Plug Body	1
KL-0369-56 B	Compressed Air Adaptor, M10x1	1
KL-1683-2081	Guide Sleeve for Reamer	1
42 KEL 2,5	Hex Socket Key, 2.5mm waf	1
KL-1683-2082	Reamer, Ø 6.9mm, Ø 4.9mm	1
KL-0126-221	Magnetic Valve Collet Lifter (flexible)	1
KL-1383-2031	Milling Cutter for Glow Plug Electrode (Spare) (Ersatzfräser)	1
KL-1683-211	Base Mounting Plate, 1.3 JTD	1
KL-1683-2112	Guide Sleeve	2
KL-1683-212	Reamer, Ø 6.9mm, Ø 4.9mm	1
KL-1683-2090 A	Plastic Storage Case	1



Technical Data:

For glow plug retaining thread:	M8x1
---------------------------------	------

(Engine codes: 169A1.000, 169A5.000, 188A8.000, 188A9.000, 199A2.000, 199A3.000, 199A9.000, 199B1.000, 199B2.000, 199B4.000, 223A9.000, 263A2.000, F1A, F1C, F30 DT)

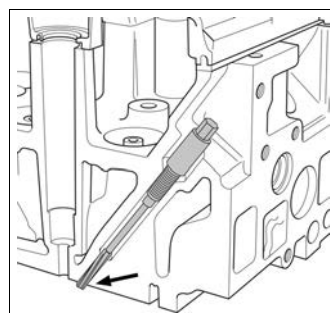
KL-0369-25 KA (Code 2802929)
Reamer Set (adjustable) for Glow Plug Aperture, in a Plastic Storage Case

Universally suitable for use on Diesel engines with either an M8x1, M9x1 or M10x1 glow plug retaining thread. The ideal tool set for BMW 1.6 and 2.0 Diesel engines as fitted to: BMW 1 Series (E81/E82/E87/E88), 3 Series (E90/E91/E92/E93), 5 Series (E60/E61/F10), X1 (E84), X3 (E83); MiniHatch (R56), Countryman (R60), Clubman (R55), Coupé (R58).

The set of adjustable reamers is designed to clean out glow plug apertures and glow plug retaining threads. Thanks to the possibility to combine the different holders (glow plug retaining threads) with the necessary reamers (glow plug aperture Ø), and to precisely adjust the length of the reamers as needed, this tool set is virtually universal in its field of application, since the reamers can be accurately adapted to the respective engine type. The special design of the tool and the cleaning groove in the holder allow carbon deposits to be removed from glow plug retaining threads and glow plug apertures carefully and effectively.

Scope of Delivery: KL-0369-25 KA Reamer Set (adjustable) for Glow Plug Aperture

Part No.	Description	Qty
KL-0369-2510 A	Holder, M8x1, with Set Screw	1
KL-0369-2610 A	Holder, M9x1, with Set Screw	1
KL-0369-2710 A	Holder, M10x1, with Set Screw	1
KL-0369-2512 A	Reamer, Ø 4.8mm (Glow plug Ø D = Ø 4.0mm)	1
KL-0369-2522 A	Reamer, Ø 5.2mm (Glow plug Ø D = Ø 4.4mm)	1
KL-0369-2732 A	Reamer, Ø 5.8mm (Glow plug Ø D = Ø 5.0mm)	1
KL-0369-2590	Plastic Storage Case	1



(Engine codes: N47; N47 C16K1; N47 C16U1; N47 C20K1; N47 C20U1; N47 D20A; N47 D20C; N47 D20D; N47 D20K0; N47 D20K1; N47 D20O0; N47 D20O1; N47 D20U0; N47 D20U1; N47S D20B; N47S D20D; N47S D20T0; N47T D20K1; N47T D20O1; N47T D20U1)



KL-0132-53 K

(Code 2395843)

Thread Repair Kit for Glow Plug Thread M8x1

For example, applicable to VW-Audi, BMW, Mercedes, Nissan, Renault etc.

If the thread in the cylinder head is damaged, special threaded inserts (internal thread M8x1) can be inserted with the aid of the thread repair kit **KL-0132-53 K**.

Recommended Accessory:

3093 U-20 Reversible Ratchet, 3/8"

Scope of Delivery:

KL-0132-53 K Thread Repair Kit for Glow Plug Thread M8x1

Part No.	Description	Qty
KL-0132-5301	Thread Cleaning Tool, M8x1	1
KL-0132-5304	Threaded Inserts, M8x1, 10mm long (10 pieces)	1
KL-0132-5302	Special Drill for Threaded Inserts, M8x1	1
KL-0132-5303	Special Tap for Threaded Inserts, M8x1	1
KL-0132-123	Square Bit Holder, 10mm (waf), 3/8" drive	1
KL-0132-1290	Plastic Storage Case	1



KL-0132-51 K

(Code 2480719)

Thread Repair Kit for Glow Plug Thread M10x1

For example, applicable to VW-Audi, BMW, Mercedes, Nissan, Renault etc.

If the thread in the cylinder head is damaged, special threaded inserts (internal thread M10x1) can be inserted with the aid of the thread repair kit **KL-0132-51 K**.

Recommended Accessory:

3093 U-20 Reversible Ratchet, 3/8"

Scope of Delivery:

KL-0132-51 K Thread Repair Kit for glow plug thread M10x1

Part No.	Description	Qty
KL-0132-511-1	Thread Cleaning Tool, M10x1	1
KL-0132-512 A	Threaded Inserts, M10x1, Length 10mm (10 pieces)	1
KL-0132-513-1	Special Drill for Threaded Inserts, M10x1	1
KL-0132-514-1	Special Tap for Threaded Inserts, M10x1	1
KL-0132-123	Square Bit Holder, 10mm (waf), 3/8" drive	1
KL-0132-1290	Plastic storage case	1



KIS

KLANN Information System

Now you have convenient access to our „KIS“ also with your mobile phone. So you can convert OE tool numbers to our article numbers at any time and wherever you are.



KIS goes mobile ...



4.6 - Valve Train - Universal / VAG

KL-0282-35 B (Code 2871300)

Reaction Wrench Kit
(470mm long, adjustable)

Universally suitable for use on perforated timing belt sprockets with a hole Ø not smaller than 6.5mm as found in: VW-Audi, Seat, Škoda, Alfa, Fiat, Lancia, Dacia, MG, Nissan, Ford, Opel/Vauxhall, Peugeot, Renault, Citroën, Rover, Volvo, Suzuki, Isuzu, Japanese vehicles, etc.

Alternative tool: 3036, 0606-A1, 0606-A1Y, 0606-A2, 09917-68221, 1.860.831.000, 1.860.831.001, 1.860.831.002, 1.860.885.000, 1.870.815.000, 1.870.836.000, 15-030 A, 18G 1521, 205-072, 49 D011 102, 49 G011 103, 49 S120 710, 6016-T, 6310-T, EN-47634, EN-49979, KM-6245, KM-6347, MD998747, Mot.799, Mot.799-01, MP-1-216, T10172, T10172/1, T10172/2, T10172/4, T10172A, T20018, T20018A, T20018B, T20018B/1, T20018B/2, T20018B/3, T30004, T97T-6256-B

Designed to counter-hold timing belt sprockets on camshafts, injection pumps etc., for example, when loosening/tightening the central fastening bolt. The different interchangeable pins and the adjustable lever allow the tool to be adapted to various hole diameters and PCDs. Thanks to these features, the wrench is virtually universally applicable.

Scope of Delivery: KL-0282-35 B Reaction Wrench Kit (470mm long, adjustable)

Part No.	Description	Qty
KL-0282-35	Reaction Wrench (adjustable)	1
KL-0282-311	Set of Pins, Ø 18mm	1
KL-0282-312	Set of Pins, Ø 7.5mm	1
KL-0282-313	Set of Pins, Ø 6mm	1

11 pcs.



Technical Data:

Pitch between pins:	from 14-130mm
Pin Ø:	6mm, 7.5mm, 12mm, 18mm
Pin height:	25mm/42mm
Overall tool length:	470mm

KL-0182-1 B (Code 2955911)

Flywheel Locking Tool

Universal application.

Alternative tool: 6012-T, W 607 589 01 40 00, Mot.582, Mot.582-01

For locking the flywheel when the gear box has been removed.

Advantages:

- No damage to the flywheel gear rim.
- Universal application.



KL-0280-19 A (Code 3079880)

Locking Tool for Crankshaft Sprocket
(Timing Belt), VW-Audi

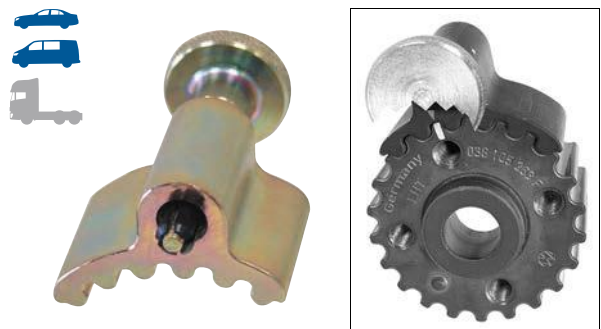
Applicable to VW-Audi, Ford, Seat, Škoda 3- and 4-cylinder TDI pump nozzle unit (unit injector) engines; e.g. 1.2, 1.4, 1.9 and 2.0 engines with round crankshaft sprocket (timing belt).

Alternative tool: 23-059, 310-085, MB995209, T10050

Used for locking the crankshaft in position.

An indispensable tool when replacing a timing belt or performing engine repairs.

Note: The expanding collet ensures the correct and secure fit of the tool in the housing bore.



KL-0280-20 A (Code 3079937)

Locking Tool for Crankshaft Sprocket
(Timing Belt), VW-Audi 1.9, 2.0 TDI PD

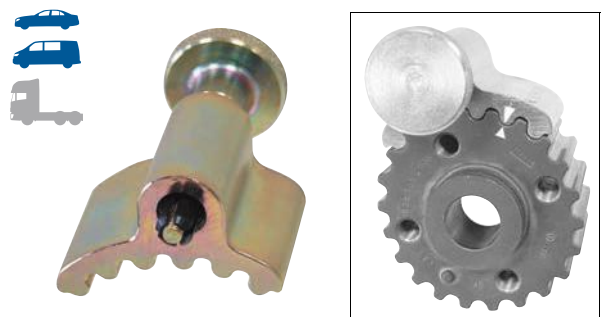
Applicable to VW-Audi, Seat, Škoda 1.9 and 2.0 TDI pump nozzle unit (unit injector) engines with oval crankshaft timing belt sprocket as found in Audi A3 (8P), A4 (8H), A6 (4F); Seat Leon (1P), Toledo (5P), Alhambra (7V), Altea/Altea XL (5P); Škoda Octavia II (1Z), Superb (3U), Superb II (3T); VW Caddy (2K, 2C), Eos (1F), Golf V (1K), Golf Plus V (5M), Jetta (1K), Passat V (3C), Polo IV (9N), Sharan (7M), Touran (1T, 9R), Transporter T5 (7J, 7H, 7E, 7F).

Alternative tool: 8949, T10100

The tool is used for locking the crankshaft in position.

Necessary when replacing a timing belt or during engine repairs.

Note: The expanding collet/pin ensures the correct and secure fit of the tool in the housing bore.



(Engine codes: ASZ, ATD, AVQ, AXB, AXC, AXR, AZV, BDJ, BJB, BKC, BKD, BKE, BLB, BLS, BLT, BMM, BMN, BMP, BMT, BNA, BPW, BRB, BRC, BRD, BRE, BRF, BRM, BRR, BRS, BRT, BRU, BSS, BST, BSU, BVA, BVF, BVG, BVH, BXE, BXF, BXJ, BXJ etc.)



6 pcs.



KL-0280-702 K

(Code 2805294)

Locking Tool Set, VW 1.2-2.0 TDI

Applicable to VW-Audi, Seat, Škoda and Ford vehicles equipped either with a 1.2, 1.4, 1.6, 1.9 or 2.0 Common Rail or pump nozzle unit (unit injector) Diesel engine. Engines fitted to: VW Beetle, Caddy, Crafter, Fox, Golf, Jetta, Lupo, Passat, Polo, Scirocco, Sharan, Tiguan, Touran, Transporter T5; Audi A1, A2, A3, A4, A5, Q5, A6, TT; Seat Alhambra, Altea, Arosa, Exeo, Ibiza, Leon, Toledo; Škoda Fabia, Fabia II, Octavia II, Roomster, Superb, Superb II, Yeti and Ford Galaxy etc. (Engine codes: AJM, AMF, ANU, ANY, ARL, ASZ, ASZ1, ATD, ATL, AUY, AVB, AVF, AVQ, AWX, AXB, AXC, AXR, AYZ, AZV, BAY, BDJ, BDK, BGW, BHC, BHW, BJB, BKC, BKD, BKE, BKP, BLB, BLS, BLT, BMA, BMM, BMN, BMP,BMR, BMS, BMT, BNA, BNM, BNV, BPW, BPX, BPZ, BRB, BRC, BRD, BRE, BRF, BRM, BRR, BRS, BRT, BRU, BSS, BST, BSU, BSV, BSW, BTB, BUK, BUY, BUZ, BVA, BVA, BVE, BVF, BVG, BVH, BVK, BWB, BWV, BXE, BXF, BXJ, CAAA, CAAB, CAAC, CAGA, CAGB, CAGC, CAHA, CAHB, CAYA, CAYB, CAYC, CAYD, CAYE, CBAA, CBAB, CBAC, CBBA, CBBB, CBDA, CBDB, CBD, CCHA, CDBA, CDCA, CEGA, CFCA, CFFA, CFFB, CFFD, CFFE, CFGB, CFHA, CFHB, CFHC, CFHD, CFHE, CFHF, CFJA, CFWA, CGLA, CGLB, CGLC, CGLD, CJAA, CJCA, CJCB, CKTB, CKTC, CKUB, CKUC, CLCA, CLCB, CLJA, CLLA, CMEA)

Designed for the locking/positioning of engine shafts such as camshaft, injection pump shaft and crankshaft. The kit also includes tools to lock/position and adjust the timing belt tensioner. An indispensable tool set when replacing a timing belt or performing an engine repair.

Scope of Delivery: KL-0280-702 K Locking Tool Set, VW 1.2-2.0 TDI

Part No.	Description	Qty
KL-0149-131	Pin-Type Face Spanner, Ø 14-100mm, pin Ø 5mm	1
KL-0180-3024	Retaining Pin, Ø 2.4mm	1
KL-0280-16	Holding Tool	1
KL-0280-19 A	Locking Tool	1
KL-0280-20 A	Locking Tool	1
KL-0280-2201 A	Locking Tool (angled), Ø 2.5mm	1
KL-0280-2202 A	Special Hexagon Socket Key, (waf) 6mm	1
KL-0280-221	Locking Pin (angled), Ø 4mm	1
KL-0280-222	Locking Pin (angled), Ø 4mm	1
KL-0280-2501	Locking Pin, Ø 4.4mm	1
KL-0280-6101	Locking Pin, Ø 4mm	1
KL-0280-6102	Locking Pin, Ø 7mm	1
KL-0284-91 A	Adjustment Tool for Timing Belt Tensioner, 240mm	1
KL-0284-92	Tensioner Pulley Spanner (waf 16mm)	1
KL-0286-11	Guide Pin Set	1
KL-1480-16	Locking Pin (long), Ø 6mm	2
KL-4031-3610	Screw Driver Bit Socket, XZN-M10	1
R62701419	Screw Driver Bit Socket, XZN-M14, 100mm	1
KL-0280-7029	Plastic Storage Case	1

Alternative tool: 3212, T10115, 303-1054, T10008, 310-084, T10050, 310-085, T10100, T10265, T20197, T10264, T10409, T40098, T10060, T10060 A, T20167, T10020, 3387, U-30009 A, Matra V159, 303-1053, T10241, 3411, 3369, T10093, T20070, T30092, 3359, T20102, MP-1-301, T10385, T10061



7 pcs.



KL-0280-706 KA

(Code 3068846)

Locking Tool Set, VW 1.4/1.6/2.0 TDI

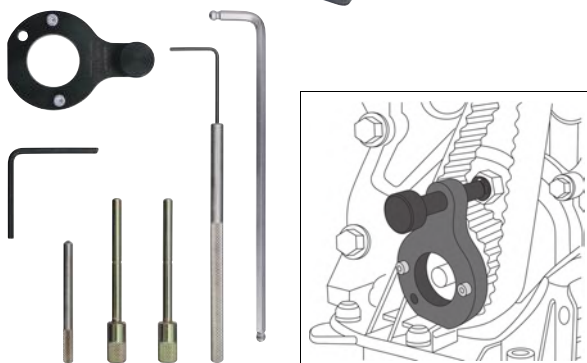
Applicable to VW-Audi, Seat and Škoda vehicles fitted with either a 1.4, 1.6 or 2.0 Common Rail Diesel engine. For example: VW Golf VII (5G, BE), T6; Audi A3 (8V), A4 (8K), A5 (8T, 8F), A6 (4G), Q5 (8R); Seat Leon (5F) and Škoda Octavia III (5E) etc. (Engine codes: CKFB, CKFC, CLHA, CLHB, CNHA, CNHC, CRBC, CRBD, CRFA, CRFC, CRKA, CRKB, CRLB, CRMB, CRVA, CRVC, CSUA, CSUB, CUNA, CUPA, CUSA, CUSB, CXFA, CXHA, CYZB, DFSE)

Alternative tool: T10265, T10264, T10060A, T10490, T10492, 3359

For the locking of camshaft, crankshaft, high-pressure pump, timing belt tensioner and auxiliary belt tensioner (poly V-belt). An indispensable tool set when replacing a timing belt or performing an engine repair.

Scope of Delivery: KL-0280-706 KA Locking Tool Set, VW 1.4/1.6/2.0 TDI

Part No.	Description	Qty
KL-0280-2201 A	Locking Pin (angled), Ø 2.5mm	1
KL-0280-2202 A	Special Hexagon Socket Key, Size (waf) 6mm	1
KL-0280-222	Locking Pin (angled), Ø 4mm	1
KL-0280-7061 A	Locking Tool for Crankshaft	1
KL-0280-7062 A	Locking Tool Set for Camshaft	1
KL-1480-16	Locking Pin, Ø 6mm	1
KL-0280-7069	Plastic Storage Case	1



4.6 - Valve Train - VAG

KL-0280-106 A (Code 2478897)
Locking Tool Set, VW-Audi

Applicable to VW-Audi Diesel engines.

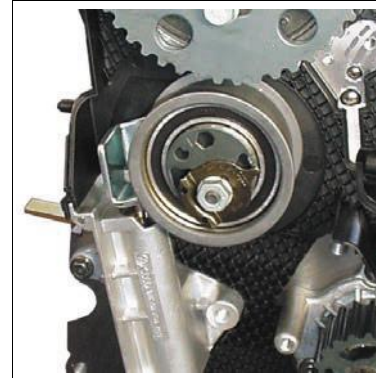
Alternative tool: 2064, 5193, T10008, 3359, T20102, T10050, 3268, 3418, 2065-A, T10098, T20038

Universal Diesel tool set designed to lock/position engine shafts such as camshaft, crankshaft as well as the injection pump sprocket when replacing a timing belt or during engine repairs.

Scope of Delivery: KL-0280-106 A Locking Tool Set, VW-Audi

Part No.	Description	Suitable for
KL-0280-8	Locking Pin, Ø 15.5mm	For locking the injection pump sprockets; applicable to VW-Audi, Seat, Škoda, etc.
KL-0280-16	Holding Tool	For locking the timing belt tensioner in the starting position; applicable to VW-Audi, Ford, Seat, Škoda TDI pump nozzle unit (unit injector) engines.
KL-1480-16	Locking Pin, Ø 6x60mm	For locking the injection pump sprocket; applicable to VW-Audi, Seat, Škoda, 1.9 D / SD / SDI / TD / TDI and 2.5 TDI. For positioning camshafts; suitable for VW-Audi, Ford, Seat, Škoda TDI pump nozzle unit engines.
KL-0280-19 A	Locking Tool for Crankshaft (German Utility Model)	For locking the crankshaft; applicable to VW-Audi, Ford, Seat, Škoda 3- and 4-Cyl. TDI pump nozzle unit (unit injector) engines e.g. 1.2, 1.4, 1.9 and 2.0 (crankshaft sprocket with marking left to the locking screw).
KL-0280-91	Setting Gauge for Camshaft	For locking the camshafts; applicable to VW-Audi, Seat, Škoda 1.9 D / SD / SDI / TD / TDI engines Ford 1.6 D, 1.9 TD / TDI engines. Volvo Diesel-engines D24, D24T, D24TIC etc.

5 pcs.

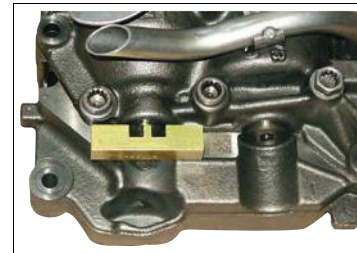


KL-0280-625 (Code 2540746)
Locking Tool for Balance Shaft, VW-Audi

Applicable to VW-Audi 2.0 TDI PD (unit injector) Diesel engines. (Engine codes: AZV, BDK, BHW, BKD, BMM, BMN, GAHA, GAHB, GAGA and GAGB)

Alternative tool: T10255

This tool is used to lock the balance shaft when removing/installing a balance shaft module.



KL-0184-021 (Code 2814536)
Counter-Holding Tool, VW

Applicable to VW-Audi (2.4 and 2.5 litre) 4- and 5-cylinder engines, both with and without vibration damper; as found in: VW Crafter, T4. Engine codes: AJA, BJJ, BJK, BJL, BJM, CEBA, CEBB, CECA, CECB

Alternative tools: 2066, 2079, 3248, 3256, 3419, 3099, 3248A, MP-1-310, T10025

This tool is designed to counter-hold the crankshaft pulley when loosening/tightening the crankshaft central screw. An indispensable tool when replacing timing belts, sealing rings or flywheels and for engine repairs.

Technical Data:

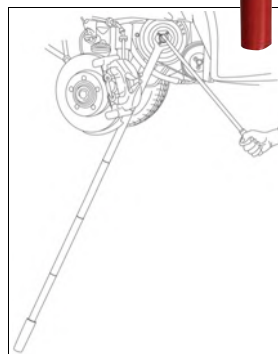
Overall length (assembled tool):	1.8m
Length of extension tube:	400mm
Length of extension tube with protective handle:	403mm
Length of base tool:	401mm
Drive of hex socket:	1/2"

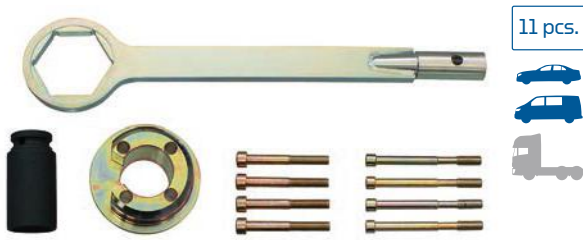
Scope of Delivery:

KL-0184-021 Counter-Holding Tool, VW

Part No.	Description	Qty
KL-0184-0210	Counter-Holding Tool (base tool with adaptor)	1
KL-0184-0101	Extension Tube with Protective Handle	1
KL-0184-0102	Extension Tube	3
KL-0184-0103	Folding Spring Bolt	4

19 pcs.





11 pcs.



KL-0184-0210 (Code 2814528) Counter-Holding Tool (Base Tool with Adaptor)

**Applicable to VW-Audi 4- and 5-cylinder engines, both with and without vibration damper. Fitted to VW Crafter, T4.
(Engine codes: AJA, BJJ, BJK, BJL, BJM, CEBA, CEBB, CECA, CECB)**

Alternative tool: 2066, 2079, 3248, 3256, 3419, 3099, 3248A, MP-1-310, T10025

This tool is designed to counter-hold the crankshaft pulley while loosening/tightening the crankshaft central screw.

An indispensable tool when replacing timing belts, sealing rings or flywheels, as well as for engine repairs.

Note:

In order to obtain the full tool length, you will additionally need 3x extension tube **KL-0184-0102**, 1x extension tube with protective handle **KL-0184-0101** and 4x folding spring bolt **KL-0184-0103**.

Technical Data:

Length of base tool:	401mm
Drive hex socket:	1/2"

Scope of Delivery: KL-0184-0210 Counter-Holding Tool (Base Tool with Adaptor)

Part No.	Description	Qty
KL-0184-0211	Counter-Holding Tool (Base Tool)	1
KL-0284-6101	Adaptor	1
KL-0284-6102	Special Cheese Head Screw	4
KL-0284-6106	Cheese Head Screw, M8x65mm	4
KL-0284-62	Hex Socket	1



9 pcs.



KL-0280-29 KA (Code 2805367) Locking Tool Set, VW 2.5 TDI

**Suitable for use on VW 2.5 TDI engines as found in:
VW Touareg, Transporter T5.**

(Engine codes: AXD, AXE, BAC, BLJ, BLK, BNZ, BPC, BPD, BPE)

Alternative tool: T10199/1, T10199, T10234, T10198, T10226, T10193, T10225

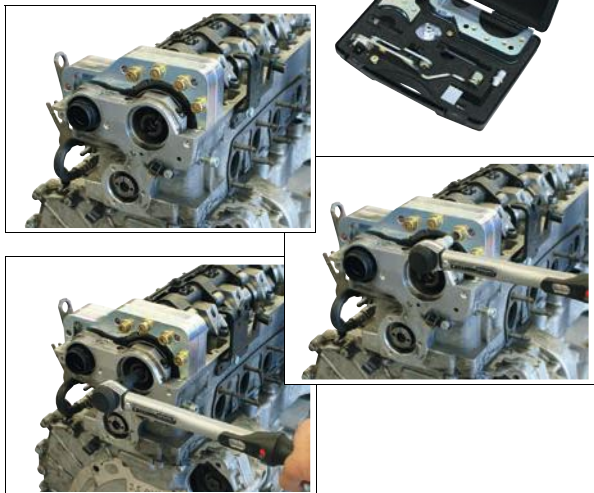
Very useful tool set for the locking/positioning of camshaft and crankshaft. Includes all the tools required to pre-load and lock the gear train when adjusting the valve timing as well as a special tool for turning the crankshaft.

An indispensable tool set when performing an engine repair.

Scope of Delivery:

KL-0280-29 KA Locking Tool Set, VW 2.5 TDI

Part No.	Description	Qty
KL-0280-291	Retaining Tool	1
KL-0280-292	Retaining Tool	1
KL-0280-293	Adjustment Tool	1
KL-0280-273	Locking Tool for Camshaft	1
KL-0284-823	Special Crankshaft Tool	1
KL-0280-271	Locking Tool for Crankshaft	1
KL-0280-272	Locking Pin, Ø 16/10.3mm	1
KL-4031-3516	Screwdriver Bit Socket, XZN-M16	1
R62701019	Screwdriver Bit Socket, XZN-M10	1
KL-0280-2990	Plastic Storage Case	1



KL-0284-91 A (Code 2820684) Adjustment Tool for Timing Belt Tensioner, VW-Audi, Seat, Škoda

(Engine codes: AAC, AEG, AEH, AGR, AHF, AKL, AKS, ALH, ALZ, APF, APK, AQY, ASV, ASY, ASZ, ATD, ATM, AVQ, AVU, AWA, AWF, AWG, AXA, AXB, AXC, AXR, AXW, AXX, AYD, AZG, AZH, AZJ, AZL, AZM, AZV, BDK, BEH, BFQ, BFS, BGB, BGU, BHD, BHZ, BJB, BKC, BKD, BKP, BLR, BLB, BLR, BLS, BLT, BLX, BLY, BMA, BMB, BMM, BMN, BMP, BMR, BMT, BNA, BPG, BPJ, BPY, BRD, BRE, BRF, BRM, BRT, BRU, BSE, BSF, BSU, BSX, BUL, BUZ, BVA, BVE, BVF, BVG, BVH, BVX, BVY, BVZ, BWA, BWA1, BWE, BWJ, BWT, BXE, BYD, BYK, BZC, CCSA, CDLA, CDLB, CDLC, CDLD, CDLF, CDMA, CHGA, CMXA)

Applicable to VW-Audi, Seat, Škoda 1.6, 1.9 and 2.0 litre petrol and Diesel engines.

Alternative tool: 3387, 303-1053, Matra V.159, MB995207, MP-1-302, T10020, T20197, U-30009, U-30009A, VAG3387

Designed to be used for adjusting the tension of the timing belt. The adjustable multi-position head of the tool allows the tensioner pulley to be operated even in confined spaces.

4.6 - Valve Train - VAG

KL-0286-11 (Code 1867938)
Guide Pin Set for Front-End Carrier,
VW-Audi

Applicable to VW- Audi A4, A5, A6, A8, Q5, S6, Passat (3B), T5, Touareg; Seat Exeo; Škoda Superb.

Alternative tool: 3369, 3411, T10093, T10228, T20070, T30092

When replacing a timing belt or performing an engine repair on the specified vehicles, these guide pins are used to pull the front-end carrier forwards. As a result, the removal of the front-end carrier is no longer necessary.

Note: VW T5 vehicles require the use of 4 guide pins.

2 pcs.



Technical Data:

Length:	190mm
---------	-------

KL-0282-52 K
Puller for Timing Belt Sprockets, VW-Audi

Applicable to VW-Audi; e.g. Audi A4, A6, A8 and VW Passat etc. equipped with either a 4-, 6- or 8-cylinder engine.

(Engine codes: AFB, AGA/AJG, AGR, AHF, AJK, AKE, AKN, ALF, ALH, ALW, AML, AMM, AMX, APS, AQH, AQM, ARE, ARJ, ASM, ASV, ASY, AVP, AXQ, AYM, AYQ, BAU, BBG, BCY, BCZ, BDG, BDH, BDV, BES, BFC, BFL, BFM, BGH, BGJ, BHX, BJJ, BJK, BJL, BJM, BRV, CEBA, CEBB, CECA, CECB)

Alternative tool: T20119, T20119A, T40001, T40001/2

The puller **KL-0282-52 K** is particularly suitable for removing 5- and 6-spoke camshaft sprockets. A selection of hooks is included in the kit to make the puller almost universal in its range of application.

Recommended Accessories: 3093 U-20 - Reversible ratchet 3/8"

Technical Data:

Drive:	17mm
Max. pulling width:	100mm
Max. pulling height:	38mm
Max. load capacity:	2t
Weight:	1.3kg

Scope of Delivery: KL-0282-52 K Puller for Timing Belt Sprockets, VW-Audi

Part No.	Description	Qty
KL-0282-52	Puller for Timing Belt Sprockets	1
KL-0282-5290	Plastic Storage Case	1

5 pcs.



KL-0284-17 (Code 1755072)
Adjuster for Timing Belt Tensioner

Suitable for use on the VW-Audi 2.4 and 2.5 5-cylinder TDI engines as found in Audi A6, VW T4, also applicable for Volvo etc.

(Engine codes: ACV, AET, AGX, AHD, AHY, AJA, AJT, ANJ, APA, APL, AUF, AVR, AVT, AXG, AXL, AYC, AYY, BBE, BBF, BJJ, BJK, BJL, BJM, CEBA, CEBB, CECA, CECB)

Alternative tool: 3355

For tensioning and relieving the tension on the automatic timing belt tensioner pulley.



Technical Data:

Length:	175mm
Size (waf):	32mm

KL-0280-766 KA (Code 3086240)
Locking Tool Set, VW 1.0

Suitable for the VW, Seat and Skoda 1.0 (3-cylinder) petrol engines as fitted to VW Polo, up!; Seat Mii, and Skoda Citigo. (Engine codes: CHYA, CHYB, CPGA)

Alternative tool: T10499, T10477, T10476, T10340

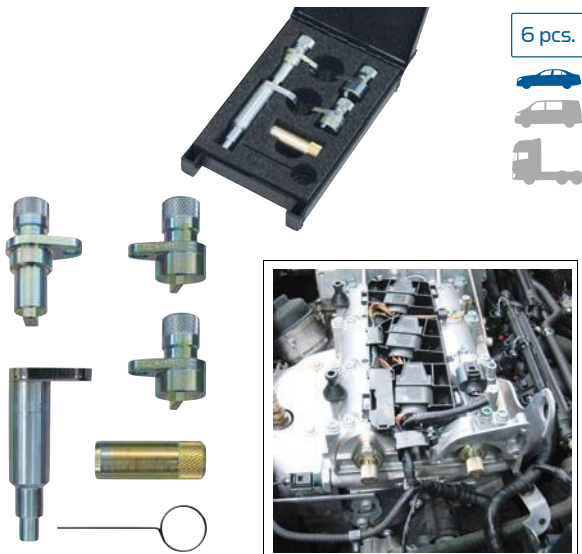
For the locking/positioning of camshafts, crankshaft and timing belt tensioner. An indispensable tool set when replacing a timing belt or performing an engine repair.

Scope of Delivery: KL-0280-766 KA Locking Tool Set, VW 1.0

Part No.	Description	Qty
KL-0280-7661 A	Locking Tool for Camshaft	1
KL-0280-7662 A	Locking Tool for Camshaft Sprockets	1
KL-0280-6022 A	Locking Screw for Crankshaft	1
KL-0284-171	Adjustment Tool for Timing Belt Tensioner, Size (waf) 30mm	1
KL-0280-7669	Plastic Storage Case	1

4 pcs.





6 pcs.



KL-0280-108 KB

(Code 2817918)

Locking Tool Set, VW-Audi 3-Cyl. Engines

Applicable to VW, Seat, Škoda 1.0, 1.2 6V and 1.2 12V 3-cylinder petrol engines both with SingleCam and TwinCam as found in VW Polo, Fox; Seat Arosa, Ibiza, Cordoba and Škoda Fabia, Roomster etc. (Engine codes: AHT, AWY, AZQ, BBM, BMD, BME, BXV, BZG, CEVA, CGPA, CGPB, CHFA, CHFB)

Alternative tool: T10120, T10123, T10121, T10043, T40011

This tool set is designed for the locking of camshafts, crankshaft and timing chain tensioner. Indispensable tools when replacing a timing chain or performing an engine repair.

Scope of Delivery: KL-0280-108 KB Locking Tool Set, VW-Audi 3-Cylinder

Part No.	Description	Qty
KL-0280-1081 B	Locking Pin for Camshaft	1
KL-0280-1082 B	Locking Pin for Camshaft	2
KL-0280-1083 A	Locking Pin for Crankshaft	1
KL-0280-1084 B	Locking Pin, Ø 18mm	1
KL-0180-3026	Retaining Pin, Ø 2.6mm	1
KL-0280-1089	Plastic Storage Case	1



8 pcs.



KL-0280-767 KB

(Code 3246221)

Locking Tool Set, VW 1.2 / 1.4 TSI / FSI

Applicable to VW-Audi, Seat, Škoda vehicles with either a 1.2 or 1.4-litre TSI/FSI petrol engine. For example: Audi A1 (8X), A3 (8V); VW Golf VII (5G, BE), Golf SV/ Sportsvan (AM), Polo V (6R, 6C); Seat Leon (5F), Ibiza (6J); Škoda Octavia III (5E). (Engine codes: CHPA, CJZA, CJZB, CJZC, CJZD, CMBA, CPTA, CPVA, CPVB, CPWA, CXSA, CYVA, CYVB, CZCA, CZDA, CZIA)

Alternative tools: T10060 A, T10340, T10487, T10494, T10499, T10504, T10504/1, T10504/2

For locking the camshafts, crankshaft and auxiliary belt tensioner (V-ribbed belt). The set also includes a special tool for positioning the timing belt tensioner as well as one that is used to push on the timing belt to ease the insertion of the camshaft locking tool. An indispensable tool set when replacing a timing belt or performing an engine repair.

Scope of Delivery: KL-0280-767 KB Locking Tool Set, VW 1.2 / 1.4 TSI / FSI

Part No.	Description	Qty
KL-0280-7671 B	Locking Tool, Camshaft	1
KL-0280-7672 A	Locking Tool, Camshaft	1
KL-0280-7673	Special Tool for Camshaft	1
KL-0284-171	Adjustment Tool for Timing Belt Tensioner, Size (waf) 30mm	1
KL-0280-6022 A	Locking Screw for Crankshaft	1
KL-0280-222	Locking Pin, Ø 4mm, angled	1
KL-0280-7679 A	Plastic Storage Case	1



5 pcs.



KL-0280-602 KC

(Code 2805162)

Locking Tool Set, VW-Audi

Applicable to VW-Audi 1.2 TSI/TFSI, 1.4 FSI/TSI/TFSI and 1.6 FSI petrol engines; as installed in VW Polo, Golf, Golf Plus, Touran; Audi A3; Škoda Octavia; Seat Altera, Ibiza, Leon.

(Engine codes FSI: AXU, BAG, BKG, BLF, BLN, BLP, BMY, BTS; TSI: CAVA, CAVB, CAVC, CAVD, CAVE, CAVF, CBZB, CBZC, CDGA, CKMA, CTHC, BLG, BMY, BWK; TFSI: CAVG, CAXA, CAXC, CBZA)

Alternative tool: T10170A, T10171, T10171A, T10340, T40011, T10414

This tool set is used for the locking and positioning of camshafts, crankshaft and timing chain tensioner. Necessary for checking and adjusting the camshaft timing, for example, when replacing a timing chain or during an engine repair.

Recommended Accessory: KL-0128-1 Dial Gauge

Scope of Delivery: KL-0280-602 KC Locking Tool Set, VW-Audi

Part No.	Description	Qty
KL-0280-6021 A	Setting Gauge for Camshaft	1
KL-0180-3026	Retaining Pin, Ø 2.6mm	1
KL-1681-111	Adaptor (M14x1.25) for TDC Positioning	1
KL-0280-6022	Locking Screw for Crankshaft	1
KL-0280-6023	Locking Pin for Camshaft	1
KL-0280-6029 A	Plastic Storage Case	1

4.6 - Valve Train - VAG

KL-0282-53 K (Code 3257002)

Crankshaft Sprocket Puller Kit
(Timing Chain), VW 1.2 TSI

Applicable to VW-Audi, Seat and Skoda vehicles equipped with a 1.2 TSI petrol engine. For example: VW Golf VI (5K, AJ, 517), Golf PLUS (5M, 521), Polo V (6R, 6C) Jetta VI (162, 163, AV), Caddy III (2K, 2C), Beetle (5C), Touran (1T); Audi A1 (8X), A3 (8P); Seat Altea (5P), Leon (1P), Ibiza IV (6J, 6P), Toledo IV (KG); Skoda Fabia II (542, 545), Octavia II (1Z), Rapid (NH1, NH3), Roomster (5J), Yeti (5L). (Engine codes: CBZA, CBZB, CBZC)

Alternative tools: T30122, Skoda MP3-467, VW 40-105

The kit comes with all the tools required for the professional removal/installation (press-fitting) of the timing chain sprocket from/to the crankshaft. Using this tool, the time-consuming loosening and lowering of the engine can be avoided. Includes a flywheel locking tool for holding the crankshaft in position as well as a press ring that is used to press the shaft seal into the timing case cover.

Recommended Accessory: KL-0284-8 Holding Tool for Water Pump

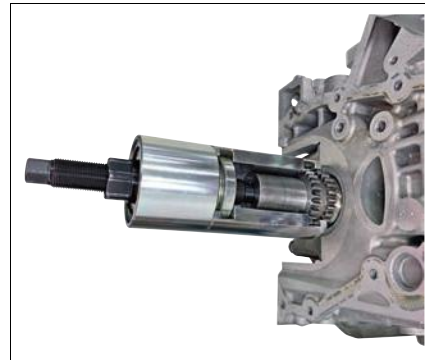
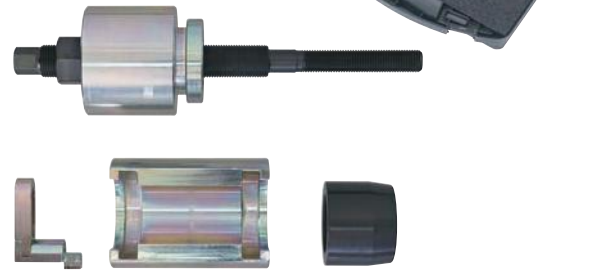
Technical Data:

Ø:	65mm
Length:	240mm
Weight:	4,1kg

Scope of Delivery: KL-0282-53 K Crankshaft Sprocket Puller Kit (Timing Chain)

Part No.	Description	Qty
KL-0282-531	Crankshaft Sprocket Puller, VW	1
KL-0282-532	Flywheel Locking Tool	1
KL-0282-533 A	Press Ring, Shaft Seal	1
KL-0282-5390	Plastic Storage Case	1

5 pcs.



KL-0184-022 (Code 2814595)

Counter-Holding Tool, VW

Universal application.

Essential tool for the VW-Audi, Seat, and Škoda 1.2, 1.4 and 1.6 litre petrol engines with 2- or 4-valve technology as well as for Škoda 1.9 SDI Diesel engines. Installed in: VW Beetle, Bora, Caddy/Caddy Maxi, Eos, Fox, Golf, Golf Plus, Golf VI Cabrio, Jetta, Lupo, Passat, Polo, Scirocco, Sharan, Tiguan, Touran; Audi A1, A2, A3, A3 Convertible; Seat Alhambra, Altea/Altea XL, Arosa, Cordoba, Ibiza, Inca, Leon, Toledo; Škoda Fabia, Fabia II, Octavia II, Octavia/Octavia Tour, Praktik, Roomster, Superb II, Yeti. (Engine code: AFK, AHW, APE, AQQ, ARR, ASY, AUA, AUB, AUS, AVY, AWY, AXP, AXU, AZD, AZQ, BAD, BAG, BBM, BBY, BBZ, BCA, BCB, BKG, BKY, BLF, BLG, BLN, BLP, BMD, BME, BMY, BTS, BUD, BWK, BXW, BZG, CAVA, CAVB, CAVC, CAVD, CAVE, CAVF, CAVG, CAXA, CAXC, CBZA, CBZB, CDGA, CGGA, CGGB, CGPA, CGPB, CHFA, CHFB, CKMA, CMAA)

Alternative tool: 3415, 3415/1, 3415/2, T30004, T30004/1

This tool is designed to counter-hold pulleys, timing belt sprockets etc. It is required when loosening/tightening the fastening screw. The locking takes place either via the pins (Ø 11.5mm) which engage the holes of the pulleys/timing belt sprockets, or by fixing the counter-holding tool to the crankshaft timing belt sprocket by means of the M8 bolts. Thanks to its special length of 704mm, this tool allows even very tight-fitting or stubborn fixing bolts to be loosened with ease.

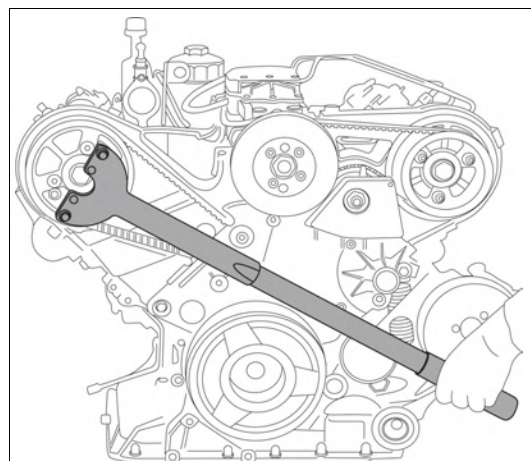
Technical Data:

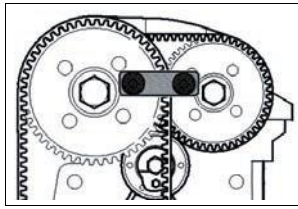
Overall length (of assembled tool):	704mm
Length of base tool:	351mm
Length of extension tube with protective handle:	403mm
Pin Ø:	11.5mm
Pin pitch:	99.5mm
Pin height:	31.5mm
Bolt thread:	M8
Bolt pitch:	45.5mm
Bolt height:	18mm

Scope of Delivery: KL-0184-022 Counter-Holding Tool, VW

Part No.	Description	Qty
KL-0184-0220	Counter-Holding Tool (Base Tool with Bolts)	1
KL-0184-0101	Extension Tube with Protective Handle	1
KL-0184-0103	Folding Spring Bolt	1

3 pcs.





KL-0280-17

(Code 1754920)

Locking Tool for Camshaft, VW-Audi

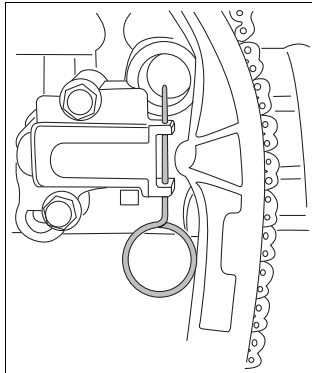
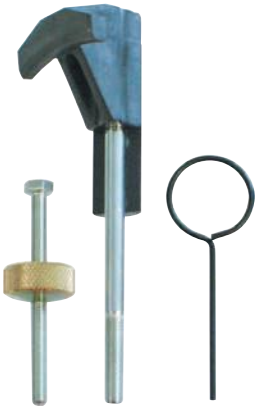
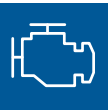
Applicable to VW-Audi, Seat, Škoda 1.4 and 1.6 petrol engines, as found in VW Lupo, Polo, Golf, Bora; Audi A2 etc.

(Engine codes: AFK, AHW, APE, AQQ, ARR, AUA, AUB, AUS, AVY, AXP, AZD, BBY, BBZ, BCA, BCB, BKY, BUD, BXW, CGGA, CGGB, CMAA etc.)

Alternative tool: T10016

Designed to lock both camshaft sprockets in place.

Required when replacing a timing belt or during an engine repair.



3 pcs.



KL-0280-601 A

(Code 2478935)

Locking Tool Set, VW-Audi

Suitable for use on VW-Audi, Seat, Škoda 1.8 and 1.8 T TwinCam petrol engines (engine codes: ADR, AEB, AFY, AGN, AGU, AJH, AJL, AJP, AJQ, AMK, ANB, APG, APP, APT, APU, APX, APY, AQA, AQX, ARG, ARX, ARY, ARZ, AUM, AUQ, AVC, AWC, AWP, AWU, AWV, AYP and BAM) as well as 2.4, 2.7 and 2.8 V6 petrol engines (engine code: AGA, AGB, AGE, AJG, AJK, ALF, ALG, ALW, AML, AMM, AMX, APC, APR, APS, APZ, AQD, ARE, ARJ, ARN, ASJ, ASM, AZA, AZR, BDV and BES); as found in Audi A3, A4, A6, TT, S3; Seat Ibiza, Cordoba, Leon, Toledo, Alhambra; Škoda Octavia; VW Beetle, Golf, Bora, Passat, Sharan.

Alternative tool: 3366, T20044, T10092, T20046

This tool set is designed to adjust camshaft timing chains and timing belt tensioners. It is required when changing a timing belt or a timing chain, and for engine repairs.

Scope of Delivery:

KL-0280-601 A Locking Tool Set, VW-Audi

Part No.	Description	Qty
KL-0280-6011 A	Holding Tool for Timing Chain Tensioner	1
KL-0180-3026	Retaining Pin, Ø 2.6mm	1
KL-0280-6013 A	Tension Screw with Sleeve	1



12 pcs.



KL-0280-763 K

(Code 2900432)

Locking Tool Set, VW 1.8 and 2.0 TFSI/TSI

Applicable to VW-Audi vehicles equipped with either a 1.8 or 2.0 TFSI / TSI petrol engine such as:

Audi A3, A4, A5, Q5, TT; VW Eos, Golf, Jetta, Passat, Scirocco, Sharan, Tiguan; Seat Altea, Exeo, Leon, Toledo; Škoda Octavia II, Superb II, Yeti.

(Engine codes: BYT, BZB, CABA, CABB, CABD, CADA, CAEA, CAEB, CAWA, CAWB, CBFA, CCTA, CCZA, CCZC, CCZC, CDAA, CDAB, CDHA, CDHB, CDNB, CDNC, CDND, CESA, CETA, CFKA, CGYA, CJEB, CJSA, CJSB)

Alternative tool: T40011, T40271, T20208, T10352, T10352/1, T10352/2, T10368, T40243, T40267, T40266

Designed for the locking/positioning of camshafts, as well as for the locking of the timing chain tensioner. The kit also includes tools for the removal and installation of the 4/3-way central valve found in camshaft phasing units. An indispensable tool set when replacing a timing chain or performing an engine repair.

Scope of Delivery:

KL-0280-763 K Locking Tool Set, VW 1.8, 2.0 TFSI/TSI

Part No.	Description	Qty
KL-0280-7622	Removal/Installation Tool Set for Cam Phaser Central Valve (3-piece set)	1
KL-0280-7623	Thrust Piece	1
KL-0180-3024	Retaining Pin, Ø 2.4mm	1
KL-0280-7621	Locking Tool for Camshaft (2 units)	1
KL-0280-7631	Mounting Lever	1
KL-0280-7632	Locking Tool for Chain Tensioner	1
KL-0280-7633	Camshaft-Turning Tool	1
KL-0280-7639	Plastic Storage Case	1



4.6 - Valve Train - VAG

KL-0280-768 E (Code 3287157)
Vibration Damper Mounting Device
VW-Audi

Suitable for VW, Audi, Seat und Škoda mit 1.8 + 2.0 TFSI / FSI direct-injection petrol engines.

Installed for example on VW Amarok (2H), Arteon (3H), Beetle (5C), CC (358), Eos (1F), Golf VI (5K), Golf VII (5G), Jetta (16, 1K), Passat (362, 365, 3C, 3G), Passat CC (35), Polo (6C), Scirocco (13), Sharan (7N), T5 (7E), T6 (SF), Tiguan (5N, AD, BW), Touran (5T), T-Roc (A1); Audi A1 (8X), A3 (8P, 8V), A4 (8K, 8W), A5 (8F, 8T, F5), A6 (4G), A7 (4G), Q3 (8U), Q5 (8R, FY), Q7 (4M), TT (8J, FV); Seat Alhambra (710/711), Altea (5P), Ateca (KH), Exeo (3R), Ibiza (6J, 6P), Leon (1P, 5F); Škoda Kodiaq (NS), Octavia (1Z, 5E), Superb (3T, 3V), Yeti (5L).

(Engine codes: BWA, BYT, BZB, CABA, CABD, CAEA, CAEB, CAED, CAWA, CAWB, CBFA, CCTA, CCTB, CCZA, CCZB, CCZC, CCZD, CDAA, CDAB, CDAB, CDHA, CDHB, CDNB, CDNC, CDND, CESA, CETA, CFKA, CFPA, CGYA, CHHA, CHHB, CHHC, CHJA, CJEB, CJEE, CJKA, CJKB, CJSB, CJSC, CJXA, CJXB, CJXC, CJXE, CJXF, CJXG, CJXH, CNCB, CNCD, CNCE, CNTA, CNTC, CPKA, CPLA, CPMA, CPMB, CPPA, CPRA, CPSA, CULA, CULB, CULC, CVKB, CWZA, CXDA, CYFB, CYGA, CYMC, CYNB, CYPB, CYPB, CYRB, CYRC, CZPA, CZPB, DAJA, DAJB, DAXB, DAXC, DAYB, DBPA, DDWA, DEDA, DEMA, DGUA, DGVA, DJHA, DJHC, DLBA)

Alternative tool: T10531

The mounting device allows the vibration damper to be held in the correct installation position, and the timing chain sprocket to be pressed against and fixed to the crankshaft when removing and installing the vibration damper and when changing the timing chain.

The timing chain sprocket on the crankshaft is held solely by the contact pressure of the central screw. For this reason, it must be fixed to the crankshaft before unscrewing the central screw to prevent the timing from being changed by turning.

Technical Data:

Weight:	1.5kg
---------	-------

Scope of Delivery:

KL-0280-768 E Vibration Damper Mounting Device VW-Audi

Part No.	Description	Qty
KL-0280-7681	Fixing of vibration damper	1
KL-0280-7682	Fixing mandrel 114.2mm	1
KL-0280-7683	Fixing mandrel 93.2mm	1
KL-0280-7684	Centring piece	1
KL-0280-7685	Crankshaft clamping device	1
KL-0280-7686	Threaded bushing	1
KL-0280-7689	Foam insert	1

6 pcs.



Recommended Accessories:

KL-0280-763 K Locking Tool Set VW 1.8 + 2.0 TFSI / TSI

Storage System:

KL-4990-9274 Plastic Case

KL-0184-025 (Code 2816075)
Counter-Holding Tool, VW

Applicable to VW-Audi, Seat, Škoda vehicles equipped with either a 1.8 or 2.0 TSI/TFSI engine; such as VW Golf, Eos, Jetta, Passat, Passat CC, Scirocco, Sharan, Tiguan; Audi A3, A4, A5, Q5, TT; Seat Toledo, Altea/Altea XL, Exeo, Leon; Škoda Octavia II, Superb II, Yeti.

(Engine codes: BYT, BZB, CABA, CABB, CABD, CAWA, CAWB, CBFA, CCTA, CCZA, CCZB, CCZC, CDAA, CDAB, CDHA, CDHB, CDNB, CDNC, CDND, CESA, CETA, CFKA, CGYA)

Alternative tool: T10355

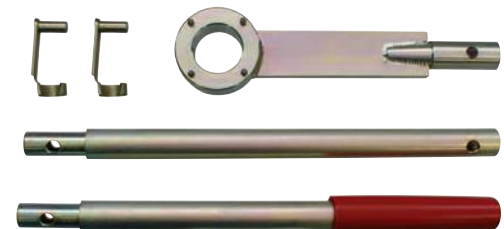
For counter-holding the crankshaft vibration damper while loosening and tightening the crankshaft central screw.

Scope of Delivery:

KL-0184-025 Counter-Holding Tool, VW

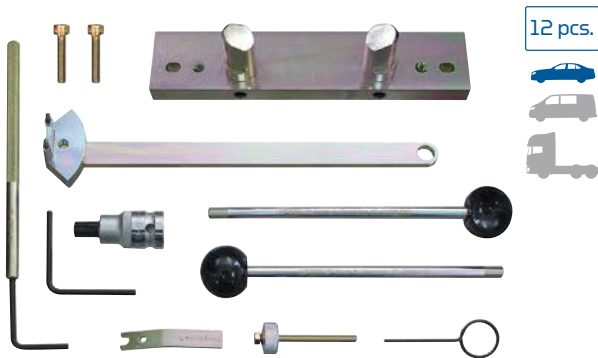
Part No.	Description	Qty
KL-0184-0250	Counter-Holding Tool (Base Tool with Pins)	1
KL-0184-0101	Extension Tube with Protective Handle	1
KL-0184-0102	Extension Tube	1
KL-0184-0103	Folding Spring Bolt	2

5 pcs.



Technical Data:

Length of assembled tool:	980mm
Length of base tool:	276mm
Length of extension tube:	400mm
Length of extension tube with protective handle:	403mm



12 pcs.



KL-0280-765 KA (Code 3083985)

Locking Tool Set, VW-Audi, 2.0 FSI/TSI/TFSI

Applicable to VW-Audi, Seat and Škoda vehicles equipped with a 2.0 FSI, TSI or TFSI petrol engine; such as Audi A3 / S3 (8P), A4 (8E, 8H), A6 (4B, 4F), TT (8J); Seat Altea/Altea XL (5P), Toledo III (5P), Leon (1P), Exeo (3R); Skoda Octavia II (1Z); VW Eos (1F), Golf (1K), Golf Plus (5M), Jetta (1K), Passat (3C), Touran (1T), Scirocco (137, 138); KTM X-Bow.

Designed for the locking/positioning of camshafts, timing belt and timing chain tensioners as well as of auxiliary drive belt (V-ribbed belt) tensioners. The kit also includes a tool to loosen/tighten camshaft phasing units. An indispensable tool set when replacing a timing belt/timing chain or performing an engine repair.

Scope of Delivery: KL-0280-765 KA Locking Tool Set, 2.0 FSI/TSI/TFSI

Part No.	Description	Qty
KL-0180-3024	Retaining Pin, Ø 2.4mm	1
KL-0280-16	Holding Tool	1
KL-0280-221	Locking Pin, Ø 4mm, angled	1
KL-0280-222	Locking Pin, Ø 4mm, angled	1
KL-0280-6013 A	Tension Screw with Sleeve	1
KL-0280-7651 A	Locking Tool for Camshaft	1
KL-0284-91 A	Adjustment Tool for Timing Belt Tensioner	1
KL-0286-11	Guide Pin Set for Front-End Carrier	1
KL-4051-3010	Screwdriver Bit Socket	1
KL-0280-7659	Plastic Storage Case	1

(Engine codes: ALT, AWA, AXW, AXX, BGB, BHD, BHZ, BLR, BLX, BLY, BMB, BPG, BPJ, BPY, BUL, BVX, BVY, BVZ, BWA, BWA1, BWE, BWJ, BWT, BYD, BYK, BZC, CDLA, CDLB, CDLC, CDLF, CDMA)

Alternative tool:

T10115, T10008, T40098, T10060A, T10092, T10252, T20197, T10020, 3387, 3369, T20070, 3411, T40080, T20079



7 pcs.



KL-0580-82 KB (Code 2897636)

Locking Tool Set, BMW

Applicable to vehicles equipped with either a 1.6, 2.0 or 3.0 BMW engine such as BMW 1 Series, 3 Series, 5 Series, 7 Series, X1, X3, X5, X6; Mini Clubman, Countryman, Cooper D, Cooper SD, One D.

Alternative tool: 11 4 320, 11 8 760, 11 4 180, 11 6 480, 11 3 340, 11 5 320

Designed for the locking/positioning of camshafts and crankshaft. An indispensable tool set when replacing a timing chain or performing an engine repair.

Scope of Delivery: KL-0580-82 KB Locking Tool Set, BMW

Part No.	Description	Qty
KL-0580-824 B	Locking Tool for Crankshaft	1
6188450 (ITX 19 L T60-100)	Screwdriver Bit Socket, T60	1
KL-0580-1201	Retaining Pin	1
KL-0580-821 A	Locking Pin for Flywheel	1
KL-0580-822 A	Locking Tool for Camshaft	1
KL-0580-823 A	Turning Tool for Crankshaft Pulley	1
KL-0580-8290 B	Plastic Storage Case with Insert	1

(Engine codes: N47, N47-C16K1, N47-C16U1, N47-C20K1, N47-C20U1, N47-D20A, N47-D20C, N47-D20D, N47-D20K0, N47-D20K1, N47-D20O0, N47-D20O1, N47-D20U0, N47-D20U1, N47S-D20B, N47S-D20D, N47S-D20T0, N47T-D20K1, N47T-D20O1, N47T-D20U1, N57-D30A, N57-D30A0, N57-D30O0, N57-D30O1, N57-D30T0, N57-D30U0)



7 pcs.



KL-0580-7 KB (Code 2898667)

Locking Tool Set, BMW

Applicable to BMW 2.0 4-cylinder Diesel engines (M47), 2.5 and 3.0 6-cylinder Diesel engines (M51, M57) as found in BMW 1 Series, 3 Series, 5 Series, 6 Series, 7 Series, X3, X5, X6.

Alternative tool: 11 2 300, 11 3 340, 11 6 320, 11 6 321, 11 6 322, 11 6 080, 11 5 180

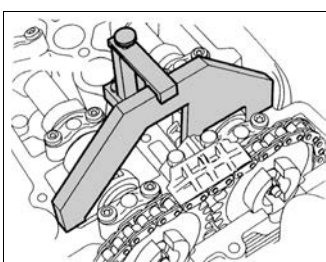
Designed for the locking/positioning of engine shafts such as camshafts and crankshaft, as well as of the flywheel and timing chain tensioner. An indispensable tool set when replacing a timing chain or performing an engine repair.

Recommended accessory:

KL-0580-823 A Turning Tool for Crankshaft Pulley (included in KL-0580-82 KB)

Scope of Delivery: KL-0580-7 KB Locking Tool Set, BMW

Part No.	Description	Qty
KL-0580-10	Locking Pin	1
KL-0580-1201	Retaining Pin	2
KL-0580-701 A	Locking Plate	1
KL-0580-702 A	Holder for Locking Plate	1
KL-0580-703 B	Locking Pin, Ø 8mm	1
KL-0580-704 B	Locking Pin, Ø 8.25/8mm	1
KL-0580-7090 A	Plastic Storage Case with Insert	1



(Engine codes: 204D4, 256D2, 306D2, 306D3, 306D4, 306D5, D30T2, YD30T2)

4.6 - Valve Train - BMW, Mini

KL-0580-21 (Code 1920022)
Puller for Injection Pump Sprocket, BMW

Applicable to BMW M47, M47R, M47TU, M51, M57, M57TU engines. (204D1, 204D3/TD4, 256D1, 306D1, 306D1/TD6, Y25DT)

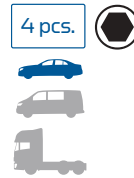
Alternative tools: 13 5 190, 13 5 191

Tool for fixing the injection pump sprocket and pushing out the injection pump shaft. Necessary when removing an injection pump.

Recommended Accessory: 3093 U-20 Reversible Ratchet, 3/8"

Technical Data:

Drive (waf):	17mm
--------------	------



Scope of Delivery:

KL-0580-21 Puller for Injection Pump Sprocket, BMW

Part No.	Description	Qty
KL-0580-2101	Housing	1
KL-0580-2102	Spindle, M18x1.5, with O-Ring	1
KL-0580-2103	Pressure Piece	1
KL-0580-2104	Threaded Sleeve	1

KL-0580-22 (Code 2787466)
Injection Pump Removal Tool

Applicable to BMW vehicles equipped with either an N47, N47S, N47T or N57 engine, e.g. E90 and F12/F13.

Alternative tools: 11 8 030, 11 8 031, 11 8 032, 11 8 740, 11 8 741, 12 8 741, 12 8 742, 13 8 742

Tool for fixing the injection pump sprocket when removing the injection pump.

Recommended Accessory: 3093 U-20 Reversible Ratchet, 3/8"

Technical Data:

Drive (waf):	12mm
--------------	------



Scope of Delivery:

KL-0580-22 Injection Pump Removal Tool

Part No.	Description	Qty
KL-0580-2201	Threaded Sleeve	1
KL-0580-2202	Drive (waf) 20/12mm	1

KL-0580-712 (Code 2991489)
Locking Tool for Flywheel

Suitable for the BMW, Mini 1.4, 1.6, 1.8, 2.0, 2.5, 3.0 petrol and Diesel engines (M47T2, M47TU, M57T2, M57TU, M67, N45, N45T, N46, N46T, N51, N52, N53, N54, W17) as fitted to e.g. BMW 1 Series, 3 Series, 5 Series, 6 Series, 7 Series, X1, X3, X5, X6, Z4 and Mini One D.

(Engine codes: N43 B16A/AA, N43 B16AA, N43 B16AA/OO, N43 B20A, N43 B20A/AA, N43 B20AA, N43 B20AY, N43 B20K0, N45 B16A, N45 B20AA, N45T B16AC, N46 B18, N46 B20, N46 B20B, N46T B20, N46T B20B, N46T B20BD, N46T B20BZ, N46T B20O2, N52 B25A, N52 B25AE, N52 B25AF, N52 B25BE, N52 B25O1, N52 B30A, N52 B30AF, N52K B25A, N52K B25A/O1, N52K B25AE, N52K B30A, N52K B30A/O1, N52K B30AE, N52K B30AF, N53 B25A, N53 B30A, N53 B30A/OO, N54 B30A, N54 B30A/AA, W17D14)

Alternative tool: 11 8 180, 11 8 182, 11 8 183, 11 8 184, 11 8 185

The tool is needed to lock the flywheel while loosening/tightening the crankshaft central screw.



Scope of Delivery: KL-0580-712 Locking Tool for Flywheel

Part No.	Description	Qty
KL-0580-7120	Flywheel Locking Tool	1
KL-0580-7124	Profile	1
KL-0580-7125	Fixing	1
KL-0580-7128	Hexagon Head Screw M8 x 80mm	1

KL-0580-44 KA (Code 2802430)
Locking Tool Set, BMW N40 and N45

Applicable to BMW 1.6 (N40/N45) TwinCam petrol engines. Fitted to BMW 1 Series (E81/E87) and 3 Series (E46/E90).

(Engine codes: N40 B16A, N45 B16A, N45T B16AC)

Tool set for locking/positioning camshafts and crankshaft, as well as for pre-tensioning timing chain tensioners. The kit also includes a tool to adjust the VANOS Adjustment Units. An indispensable tool set when replacing a timing chain, removing and installing VANOS Adjustment Units or performing an engine repair.

Scope of Delivery: KL-0580-44 KA Locking Tool Set, BMW N40 and N45

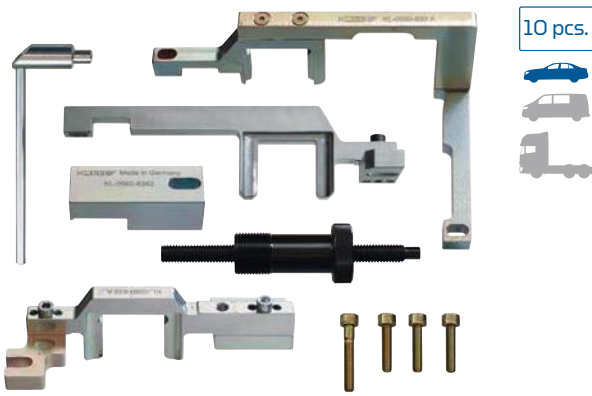
Part No.	Description	Qty
KL-0580-441 A	Locking Tool for Camshaft (inlet)	1
KL-0580-442 A	Locking Tool for Camshaft (exhaust)	1
KL-0580-443 A	Setting Gauge (Vanos)	1
KL-0580-8111 A	Retaining Pin for Flywheel	1
KL-0580-8113 B	Pre-Tensioning Tool for Timing Chain	1
KL-0580-8115-3 A	Knurled Screw	1
KL-0580-4490 A	Storage Case with Insert	1



Alternative tool:

11 7 260, 11 7 251, 11 7 252, 11 7 253, 11 9 190, 11 5 120, 11 9 340





10 pcs.



KL-0580-83 KA

(Code 2792761)

Locking Tool Set, BMW 1.4 and 1.6 16V

Applicable to Mini 1.4 and 1.6 litre engines (Engine codes: N12, N14, N16) and PSA engines (Engine codes: EP3, EP3C, EP6, EP6C, EP6CDT, EP6DT, EP6DTE, EP6DTS) as installed in Mini Cooper (R55, R56), Mini Cooper S (R55, R56), Mini One (R56), Citroën C4, C4 Picasso, and Peugeot 207, 308.

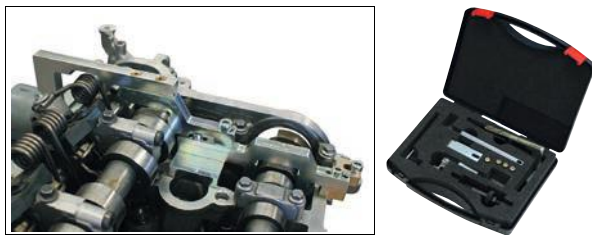
Alternative tool: 0197-B, 0197-BZ, 11 9 590, 0197-A1, 0197-A, 11 9 540, 11 9 550, 11 9 551, 0197-A3, 0197-A, 11 9 540, 0197-A2, 0197-A, 11 9 550, 11 9 551, 11 9 552, 0197-M, 11 9 340

For the locking and/or positioning of camshafts and crankshaft as well as for adjusting the VANOS adjustment units. The kit also includes a tool to pre-tension the timing chain tensioner.

An indispensable tool set when replacing timing chains, removing and installing VANOS adjustment units or performing engine repairs.

Scope of Delivery: KL-0580-83 KA Locking Tool Set, BMW 1.4 and 1.6 16V

Part No.	Description	Qty
KL-0580-831 A	Locking Pin for Flywheel	1
KL-0580-832 A	Locking Tool for Camshaft	1
KL-0580-833 A	Locking Tool for Camshaft	1
KL-0580-834 A	Locking Tool for Camshaft	1
KL-0580-8113 B	Pre-Tensioning Tool for Timing Chain	1
KL-0580-8390 A	Plastic Storage Case	1



11 pcs.



KL-0580-751 K

(Code 2904713)

Locking Tool Set, BMW

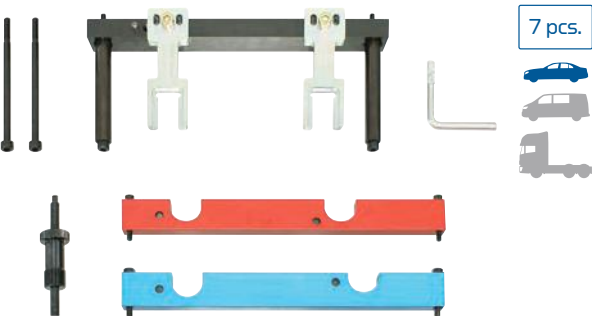
Applicable to 1.6 and 2.0 litre BMW engines; as found in BMW 1 Series, 3 Series, 5 Series. (Engine codes: N43-B16A, N43-B16AA, N43-B1600, N43-B20A, N43-B20AA, N43-B20AY, N43-B20K0, N43-B20U0)

These tools are used for the locking/positioning of engine shafts such as camshafts, crankshaft, balance shaft and camshaft sensor wheels, as well as for pre-tensioning the timing chain tensioner. An indispensable tool set when replacing a timing chain or performing an engine repair.

Scope of Delivery: KL-0580-751 K Locking Tool Set, BMW

Part No.	Description	Qty
KL-0580-7513	Alignment/Locking Tool for Balance Shaft	1
KL-0580-7512	Locking Tool for Camshaft Sensor	1
KL-0580-7511	Locking Tool for Camshaft	1
KL-0580-1201	Retaining Pin	2
KL-0580-8111 A	Locking Pin for Flywheel	1
KL-0580-8113 B	Pre-Tensioning Tool for Timing Chain	1
KL-0580-7519	Plastic Storage Case	1

Alternative tool: 11 8 690, 11 8 691, 11 8 692, 11 8 693, 11 8 710, 11 8 711, 11 8 712, 11 8 700, 11 3 340, 11 5 120, 11 9 340



7 pcs.



KL-0580-45 KA

(Code 2641003)

Locking Tool Set, BMW

Applicable to BMW vehicles with either a 2.5, 3.0 or 3.5 port-injection or direct-injection petrol engine with VALVETRONIC (VANOS); such as 1 Series (E81/E82/E87); 3 Series (E90/E91/E92/E93); 5 Series (E60/E61); 6 Series (E63/E64); 7 Series (E65/E66); X3 (E83); X5 (E70); Z4 (E85/E86). (Engine codes: N51, N52, N52K, N53, N54, N55)

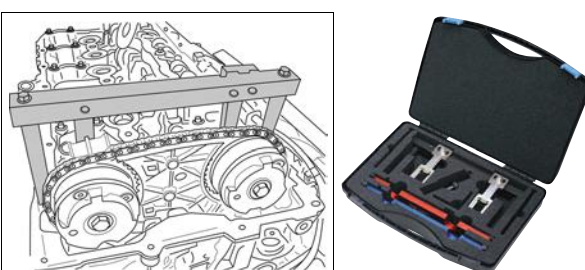
Alternative tool: 11 0 300, 11 4 280, 11 4 281, 11 4 282, 11 4 283, 11 4 285, 11 4 290, 11 8 520, 11 9 340

For the locking/positioning of camshafts and crankshaft, as well as for pre-tensioning the timing chain tensioner. The kit also includes all the necessary tools to adjust VANOS adjustment units.

An indispensable tool set when replacing a timing chain, removing and installing VANOS adjustment units or performing an engine repair.

Scope of Delivery: KL-0580-45 K Locking Tool Set, BMW

Part No.	Description	Qty
KL-0580-451 A	Locking Pin for Flywheel	1
KL-0580-452 A	Locking Tool for Camshafts	1
KL-0580-453 A	Setting Gauge (Vanos), blue	1
KL-0580-454 A	Setting Gauge (Vanos), red	1
KL-0580-8113 B	Pre-Tensioning Tool for Timing Chain	1
KL-0580-4590 A	Plastic Storage Case with Insert	1



4.6 - Valve Train - BMW, Mini / Mercedes / Ford, Mazda, Volvo

KL-0312-2

(Code 1755226)

Puller for Chain Slider Bolts,
Mercedes/BMW

Applicable to chain slider bolts on Mercedes and BMW; the kit includes puller bolts and adaptor disc.

Alternative tool: W 115 589 00 33 00, W 116 589 20 33 00

This short version is required for repairs where the radiator has not to be removed from the vehicle.

Recommended Accessory:

7 R 24 Combination ratchet spanner 24mm (waf)

Scope of Delivery:

KL-0312-2 Puller for Chain Slider Bolts, Mercedes/BMW

Part No.	Description	Qty
KL-0312-200	Puller (base tool)	1
KL-0312-0010	Puller Bolt, M6x30	1
KL-0312-0011	Puller Bolt, M8x30	1
KL-0312-0012	Puller Bolt, M8x60	1
KL-0312-0013	Adaptor Disc	1

5 pcs.



KL-0380-7524

(Code 3076962)

Bit Socket, T100

Applicable to Mercedes-Benz engines: M133, M157, M176, M177, M178, M256, M264, M270, M271.8, M274, M276 and M278.

The T100 bit socket with security hole is needed for the removal and installation of the camshaft adjuster control valve.

Recommended Accessory:

1993 U-20 Reversible Ratchet 1/2"

Technical Data:

Waf size Torx®:	T100
Length:	77mm
Drive:	1/2"
Bore Ø:	11mm



Note: KL-1280-701 Locking Tool Set 1.5 and 2.8 see Renault

KL-0680-262 A

(Code 2639386)

Tensioner Tool, Ford

Applicable to Ford 1.4, 1.6, 2.0, 2.2 TDDi / TDCi Duratorq Diesel engines as installed in Ford Mondeo (2000-2007), Focus; Mazda2, Mazda3.

(Engine codes: F6JA, F6JB, F6JC, F6JD, G8DA, G8DB, G8DD, GPDA, HHDA, HHDB, HHJA, HHJB, HHJC, HHJD, HHJE, HHJF, MZ-CD 1.6 (Y6), T1BA/B/C, TZJA, Y6)

Alternative tool: 21-235, 303-676, 303-676 A, 3676, 49 B015 101, 49 UN30 3676

The tensioner tool KL-0680-262 A is required to pretension the tensioner when removing/installing the auxiliary belt.

Recommended Accessory:

1993 U-20 Reversible Ratchet 1/2"





29 pcs.



KL-0680-28 K

(Code 2248794)

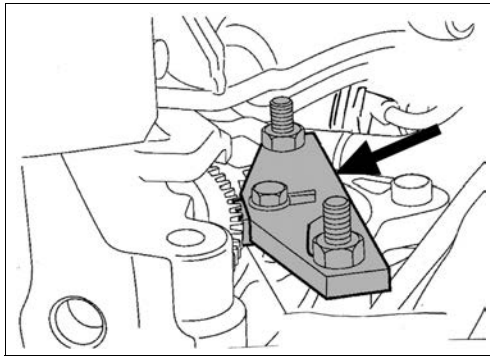
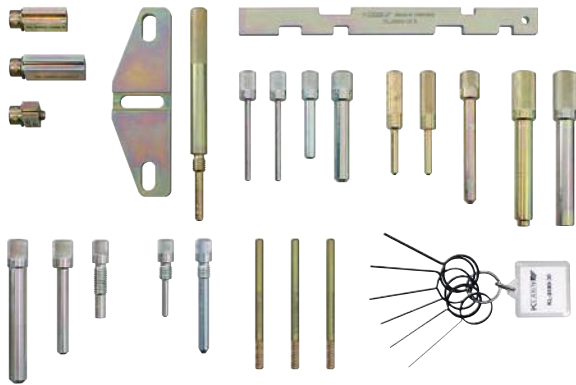
Locking Tool Set, Ford

Universally applicable to Ford, PSA (Citroën, Peugeot), Land Rover, Jaguar, Mazda, Volvo 1.4, 1.6 HDi (PSA) and 1.4, 1.6 TDCi (Ford) and 1.6 TDi, 1.8 TDi/TDDi/TDCi, 2.0, 2.4 16V TDDi/TDCi Diesel engines as found in Citroën Berlingo, C1, C2, C3, C4, C5, Dispatch, DS3, DS4, Jumpy, Nemo, Xsara; Fiat Scudo; Ford C-Max, Cougar, Courier, Escort, Fiesta, Focus, Fusion, Galaxy, Kuga, Maverick, Mondeo, Orion, S-Max, Tourneo, Transit; Jaguar X-Type, Land Rover Defender; LDV Convoy; Mazda 2, 3, 323, 5, 6, E-Series, MPV, MX-5, Premacy, Tribute, Xedos 9; Peugeot 107, 206, 207, 307, 308, 407, 508, 1007, 3008, 5008, Bipper, Expert, Partner; Volvo C30, S40, S60, S80, V50, V70.

Alternative tool: 21-168, 21-168 A, 303-393, 303-393 A, 303-393-01, 303-393-02, 995-208, 21-104, 303-193, 303-376, 49 JE01 050, 21-123, 303-235, 23-029, 310-033, 23-020, 310-019, 23-019, 310-018, 49 JE01 063, 21-162, 21-162 B, 303-367, 303-376, 303-376 B, 303-465, 49 JE01 054, 49 UN30 3376, JE01 054, 21-163, 303-574, 303-620, 49 N010 101, 21-210, 303-507, 49 JE01 061, JE01 061, 21-259, 303-748, 49 JE02 024, 49 JE02 061, 21-234, 303-675, 21-251, 303-681, 303-681-01, 303-698, 21-260, 21-262, 21-263, 303-734, 49 JE02 020, 303-732, 49 JE02 018, 303-735, 49 JE02 021

This tool set is designed for the locking/positioning of engine shafts such as camshaft, crankshaft, and injection pump shaft as well as of the timing belt tensioner. Essential tools when replacing timing belts or performing engine repairs.

Scope of Delivery: KL-0680-28 K Locking Tool Set, Ford



(Engine code: 224DT, 4AB, 4BA, 4BB, 4BC, 4CA, 4CB, 4CC, 4DA, 4EA, 4EB, 4EC, 4ED, 4FA, 4FB, 4FC, 4FD, 4GA, 4GB, 4GC, 4GD, 4GE, 4GF, 4HA, 4HB, 4HC, 4HD, 8HP, 8HR, 8HS, 8HT, 8HV, 8HW, 8HX, 8HY, 8HZ, 9HF, 9HH, 9HJ, 9HL, 9HM, 9HN, 9HP, 9HR, 9HS, 9HT, 9HU, 9HV, 9HW, 9HX, 9HY, 9HZ, ABFA, ALDA, AOB, AOD, AODA, AODB, AODE, AOWA, AOWB, AZBA, AZBC, ATWA, BG, BHDA/B, BHPA, BP, C9DA/B, C9DC, CDBB, CGBA/B, CJBA/B, CSDA, CSDB, D2FA, D2FB, D3FA, D4FA, D4162T, D4164T, D4204T, D5BA, D6BA, DOFA, DV4C, DV4TD, DV4TED, DV4TED4, DV6ATED4, DV6AUTED4, DV6BTED4, DV6BUTED4, DV6C, DV6D, DV6DU, DV6ETED, DV6TED4, DV6TED4B, DV6TED4BU, DV6UC, DV6UTED4, E5FA, E5FC, E5SA, E5SB, EDDBA/C, EDBB, EDBD, EDD, EDDC, EDDD, EDDF, EYDB, EYDC, EYDD/E, EYDF, EYDG, EYDI, EYDJ, EYDL, EYPA, EYPC, F3FA, F4FA, F6JA, F6JB, F6JC, F6JD, F8JA, F8JB, F9DA/B, FE, FFBA, FFDA, FFVA, F1FA, FMBA/B, FP, FS, FUJA, FUJB, FXFA, FXJA, FYJA, G6DA, G6DB, G6DC, G6DD, G6DE, G6DF, G6DG, G8DA, G8DB, G8DD, GPDA, GZ, GZFA, GZFB, GZFC, H9FA, H9FB, HCPA, HCPB, HHDA, HHDB, HHJA, HHJB, HHJC, HHJD, HHJE, HHJF, HJBA, HJBB, HJBC, HJBE, HMDA, HXDA, HXJA, HXJB, IQDA/B, IQDB, IXDA, IQDA/B, JTBA/B, JTDA/B, JXFA, KGBA, KHBA, RKF, RKH, RKJ, RKK, RTE, RTH, RTJ, RTJA, RTJB, RTK, RVA, RWPA, RWPC, SAFA, SEBA, SEWA, SIDA, SNJA, SNJB, SPJA, SPJC, STJA, STJB, SYDA, T1BA, T1BB, T1BC, T1DA, T1DB, TBBA, TBBB, TBWA, TBWB, TNBA, TXBA, TXDA, TXDA/B, TXDB, TXWA, TYBA, TYDA, TYWA, TZJA, UFBA, UFDA, UFDB, UFWA, UKBA, UKDA, UKDB, UKWA, Y6, YF, ZVSA)

Part No.	Description	Use/Application
KL-0180-30 B	Retaining Pin Set, 0.8-2.6mm	For locking the automatic timing belt tensioner when replacing a timing belt. Consists of: Key fob with ring and 6 retaining pins with Ø 0.8 mm, Ø 1.2 mm, Ø 1.4 mm, Ø 1.5 mm, Ø 1.7 mm, Ø 1.9 mm, Ø 2.4 mm, Ø 2.6 mm.
KL-0680-10	Locking Pin for Crankshaft, Ø 6mm	1.8 D / TD / TDDi / TDCi Diesel engines Engine code: BHDA/B, BHPA, C9DA/B/C, F9DA/B, HCPA, KKDA, RFA, RFK, RFL, RFN, RTC, RTJ, RTK.
KL-0680-1058 A	Locking Tool for Flywheel, with Adaptor, 1.6, 1.8 Diesel	1.8 D / TD / TDCi Diesel engines. Engine code: RTN, RTQ, RTP, BHDB, BHPA, C9DA, C9DB, C9DC, F9DA, F9DB, FFBA, FFDA, FFWA, G6DA, G6DB, G6DC, HPCA, HPCB, P7PA, P9PA, QYBA, QYWA, R2PA, R3PA, RWPA, KKDA.
KL-0680-11 A	Locking Pin for Camshaft, Ø 8.3mm	2.5 D / TD / TCI Diesel engines. Engine code: 4EB, 4EC, 4ED, 4FA, 4FB, 4FC, 4FD, 4GA, 4GB, 4GC, 4GD, 4GE, 4HB, 4HC.
KL-0680-12 A	Locking Pin for Injection Pump, Ø 9.5mm	1.8 D / TD and 2.5 DI / Turbo / TCI Diesel engines. Engine code: 4EB, 4EC, 4ED, 4FA, 4FB, 4FC, 4FD, 4GA, 4GB, 4GC, 4GD, 4GE, 4HB, 4HC, RFD, RFK, RFN, RKD, RTC, RTH, RTJ, RTK, RVA.
KL-0680-13 A	Locking Pin for Flywheel, Ø 12.9mm	2.5 DI / Turbo / TCI Diesel engines. Engine code: 4EB, 4EC, 4ED, 4FA, 4FB, 4FC, 4FD, 4GA, 4GB, 4GC, 4GD, 4GE, 4HB, 4HC.
KL-0680-14 A	Locking Pin for Camshaft and Injection Pump, Ø 6mm (2 units)	1.8 D / TD Diesel engines. Engine code: C9DC, RFA, RFD, RFK, RFL, RFN, RTB, RTC, RTH, RTJ, RTK.
KL-0680-15 A	Setting Gauge for Camshafts	1.25, 1.4, 1.6, 1.7, 1.8, 2.0 TwinCam petrol engines, and 1.8 D / TD Diesel engines. Engine code: C9DC, MHA, RFA, RFD, RFK, RFL, RFN, RTC, RTH, RTJ, RTK, Zetec DHA/DHB.
KL-0680-16 A	Locking Pin for Crankshaft, Ø 7.9mm	1.6, 1.8, 2.0 16V petrol engines. Engine code: L1F, L1J, NGA, RKA, RKB, Zetec.
KL-0680-17	Locking Pin for Crankshaft, Ø 5mm	1.25, 1.4, 1.6, 1.7 16V petrol engines. Engine code: Zetec DHA, DHB, DHC, DHD, DHE, DHF, DHG, FHA, FHE, L1T, L1V, MHA.
KL-0680-18	Locking Pin for Crankshaft, Ø 7.95mm	Ford petrol engines (1.25 Zetec-SE [Sigma], 1.4 Duratec-16V [Sigma], 1.6 Duratec-16V [Sigma], 2.0 Duratec-RS [Zetec], 1.4 Zetec-SE [Sigma], 1.6 Zetec-SE [Sigma], 2.0 Duratec-ST [Zetec]) Engine code: F8JA, F8JB, FUJA, FXDA/C, FXDB/D, FXJA, FXJB, FYDA/C, FYDB/D, FYDH, FYJA, FYJB, HXDA, HXDA.
KL-0680-2101 A	Locking Pin for Flywheel, Ø 14mm	Ford 2.0/2.4 16V TDCi engines.
KL-0680-2102 A	Locking Pin for Flywheel, Ø 13.5/9.5mm	Ford 2.0/2.4 16V TDDi engines.
KL-0680-2103 A	Locking Pin for Camshafts and Injection Pump, Ø 6mm	Ford 2.0/2.4 16V TDDi/TDCi engines. Engine code: FMBA/B, D5BA, ABFA, D3FA, F3FA, D2FA, D4FA, F4FA.
KL-0680-2201 A	Locking Pin for Flywheel, Ø 11mm	1.4, 1.6 HDi (PSA) and 1.4, 1.6 TDCi (Ford) engines. Engine code: 8HV, 8HW, 8HX, 9HX, 9HZ DV4TD, DV4TED4, DV6ATED4, DV6TED4 and F6JA, F6JB, F6JC, G8DA, G8DB, HHDA.
KL-0680-2202 A	Locking Pin for Crankshaft and Injection Pump, Ø 4.5mm	Application as KL-0680-2201 A.
KL-0680-2203 B	Locking Pin for Camshaft, Ø 8mm	Application as KL-0680-2201 A, + 2.0 and 2.2.
KL-0680-2501 A	Adaptor 2.0 TDCi for KL-0680-1058 A	Engine code: AZWA, G6DA, G6DB, G6DC, QXWA.
KL-0680-2502 A	Adaptor 1.6 Ti-VCT for KL-0680-1058 A	Engine code: HXDA.
KL-0680-2890	Plastic Storage Case	

4.6 - Valve Train - Ford, Mazda, Volvo

KL-0680-103 A (Code 2663279)
Locking Pin Set for Crankshaft, Ford

Applicable to Ford 1.25, 1.4, 1.6, 1.7, 1.8, 2.0 litre petrol engines, and 1.8 litre Diesel engines.

Alternative tool: 21-104, 303-193, 303-376, 49 JE01 050, 21-163, 303-574, 303-620, 49 N010 101, 21-210, 303-507, 49 JE01 061, JE01 061, 21-259, 303-748, 49 JE02 024, 49 JE02 061, JE02 061

The pins are used for locking the crankshaft when replacing the timing belt or during engine repairs.

Scope of Delivery: KL-0680-103 A Locking Pin Set for Crankshaft, Ford

Part No.	Description	Qty
KL-0680-10	Locking Pin for Crankshaft, Ø 6mm	1
KL-0680-16 A	Locking Pin for Crankshaft, Ø 7.9mm	1
KL-0680-17	Locking Pin for Crankshaft, Ø 5mm	1
KL-0680-18	Locking Pin for Crankshaft, Ø 7.95mm	1

4 pcs.



KL-0680-25 A (Code 2446529)
Locking Tool Kit for Crankshaft, Ford

Applicable to Ford 1.25, 1.4, 2.0, 2.3 and 1.6 litre Ti-VCT TwinCam Duratec petrol engines, and 1.6, 1.8, 2.0, 2.2 litre TDi/TDdi/TDCi as well as 2.0 litre TDCi Diesel engines as installed in Ford Fiesta/Courier, Focus/C-Max, Tourneo Connect, Mondeo, S-Max, Galaxy, Transit Connect; Volvo.

(Engine codes: AZBA, AZBC, AZWA, BHDA/B, BHPA, C9DA/B, C9DC, D4204T, E5FA, E5FC, E5SA, E5SB, F9DA/B, FFBA, FFDA, FFWA, G6DA, G6DB, G6DC, G6DD, G6DE, G6DF, G6DG, HCPA, HCPB, HXDA, HXJA, HXJB, IQDA/B, IQDB, IXDA, JQDA/B, JTBA/B, JTDA/B, KGBA, KHBA, KKDA, KKDB, KLBA, KNBA, LPBA, P7PA, P9PA, P9PB, PNBA, PNDA, Q4BA, QJBA, QXBA, QXBB, QXWA, QXWB, QYBA, QYWA, R2PA, R3PA, RHBA, RTJA, RTJB, RWPA, RWPC, SIDA, SNJA, SNJB, SPJA, SPJC, STJA, STJB, T1BA/B/C, TXBA, TXDA, TXDA/B, TXDB, TXWA, TYBA, TYDA, TYWA, TZJA, UFBA, UFDA, UFDB, UFWA, UKBA, UKDA, UKDB, UKWA, ZVSA)

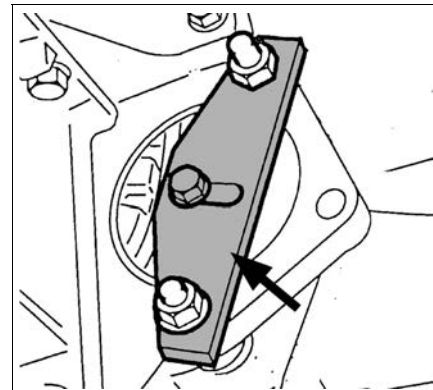
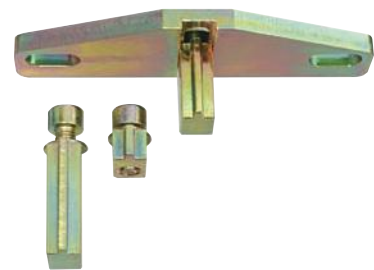
Alternative tool: 303-393-01, 303-393-02, 21-168, 21-168 A, 303-393, 303-393 A, 303-393 A/02

This tool is designed to counter-hold the flywheel while loosening/tightening the crankshaft pulley fixing bolts. It can also be used for locking/positioning the crankshaft when replacing the timing belt or during engine repairs.

Scope of Delivery: KL-0680-25 A Locking Tool Kit for Crankshaft, Ford

Part No.	Description	Qty
KL-0680-2501 A	Adaptor, 2.0 TDCi	1
KL-0680-2502 A	Adaptor, 1.6 Ti-VCT	1
KL-0680-1058 A	Holding Tool for Flywheel with Adaptor, 1.8 Diesel	1

4 pcs.



KL-0780-30 (Code 2802120)
Counter-Holding Tool, Crankshaft

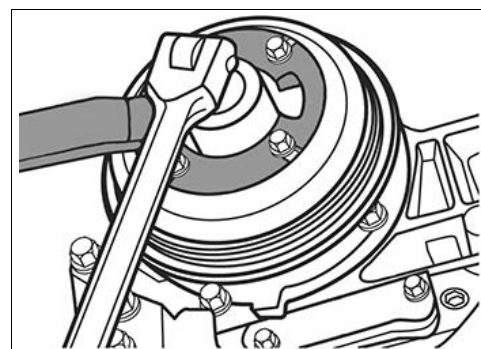
Applicable to Ford 2.5 and Volvo 1.6, 1.8, 1.9, 2.0, 2.3, 2.4, 2.5, 2.8 and 2.9 litre 4- and 5-cylinder petrol engines, and 2.0 and 2.4 litre 5-cylinder Diesel engines. Fitted to: Ford Focus, Galaxy, Kuga, Mondeo, S-MAX and Volvo C30, C70, S40, S60, S70, S80, V40, V50, V70, XC70, XC90.

(Engine codes: Ford HUBA, HUWA, HYDA, HYDB, JZDA, LCBD; Volvo B4164S, B4184S, B4194T, B4204S, B4204T, B5204T3, B5204T4, B5204T5, B5234FS, B5234T3, B5234T7, B5234T8, B5234T9, B5244S, B5244S2, B5244S4, B5244S5, B5244S7, B5244SG, B5244SG2, B5244T, B5244T2, B5244T3, B5244T4, B5244T5, B5244T7, B5254FS, B5254T, B5254T10, B5254T11, B5254T2, B5254T3, B5254T4, B5254T5, B5254T6, B5254T7, B5254T8, B6284T/T2, B6294S, B6294S2, B6294T, B6304S3, D5204T, D5204T2, D5204T3, D5204T5, D5244T, D5244T10, D5244T11, D5244T13, D5244T14, D5244T15, D5244T16, D5244T17, D5244T18, D5244T19, D5244T2, D5244T3, D5244T4, D5244T5, D5244T6, D5244T7, D5244T8, D5244T9)

Alternative tool: 303-1179, 999-5433, 999-7261

This tool is designed to be used for counter-holding the vibration damper while loosening and tightening the crankshaft central screw.

Recommended Accessory: 1993 U-20 Reversible Ratchet 1/2"





KL-0680-27 A

(Code 2479435)

Locking Tool Set, Ford

Applicable to Ford and Mazda 1.25, 1.4, 1.6, 1.7, 1.8, 2.0, 2.3 and 2.5 litre TwinCam Duratec petrol engines (timing belt/timing chain), as installed in: Ford C-Max, Courier, Cougar, Fiesta, Fusion, Focus, Galaxy, Maverick, Mondeo, Puma, S-Max, Tourneo Connect and Transit Connect; Mazda 121, 2, 3, 323, 5, 6, MPV, Tribute and Xedos 9.

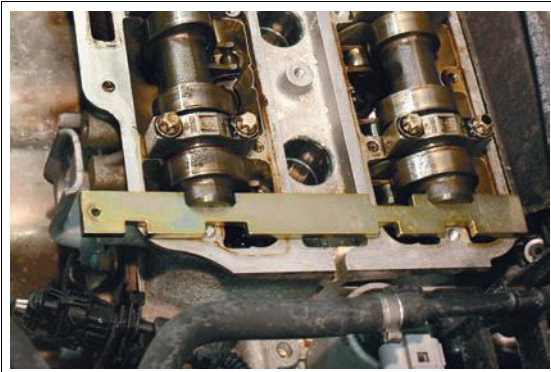
(Engine codes: ALDA, AOBA, AOBC, AODA, AODB, AODE, AOWA, AOWB, BP, CDBB, CGBA/B, CHBA/B, CJBA/B, CSDA, CSDB, E5FA, E5FC, E5SA, E5SB, EDDB, EDDC, EDDD, EDDF, EYDB, EYDC, EYDD/E, EYDF, EYDG, EYDI, EYDJ, EYDL, EYPA, EYPC, F8JA, F8JB, FE, FP, FS, FUJA, FUJB, FXJA, FXJA/B, FYJA, FYJB, FYJC, GZ, GZFA, GZFB, GZFC, HMDA, KL, L3, L5, L8, LF, MZR 1.8 (L8), N4JB, Q7DA, QQDA, QQDB, QQDC, SEBA, SEWA, SYDA, TBBA, TBBB, TBWA, TBWB, TNBA, YF, ZVSA)

Alternative tool: 21-162 B, 21-162 B, 303-367, 303-376, 303-376 B, 303-465, 49 JE01 054, 49 UN30 3376, JE01 054, 21-163, 303-574, 303-620, 49 N010 101, 21-210, 303-507, 49 JE01 061, JE01 061, 21-259, 303-748, 49 JE02 024, 49 JE02 061, JE02 061

This tool set is designed for the locking/positioning of engine shafts such as camshaft, crankshaft and the timing belt tensioner. It is required when replacing timing belts/timing chains and for engine repairs

Scope of Delivery: KL-0680-27 A Locking Tool Set, Ford

Part No.	Description	Qty
KL-0680-15 A	Setting Gauge for Camshafts	1
KL-0680-17	Locking Pin for Crankshaft	1
KL-0680-16 A	Locking Pin for Crankshaft	1
KL-0680-18	Locking Pin for Crankshaft	1
KL-0180-3024	Retaining Pin, Ø 2.4mm	1



KL-0680-24 KB

(Code 2897997)

Locking Tool Set, Ford

Applicable to Ford 1.25, 1.4, 1.6, 1.8, 2.0, 2.3 and 2.5 litre petrol engines as found in Ford C-Max, Fiesta, Fusion, Focus, Galaxy, Ka, Maverick, Mondeo, S-Max, Tourneo Connect, Transit Connect; Mazda 2, 3, 323, 5, 6, E-Series, MPV, MX-5, Premacy, Tribute, Xedos 9; Volvo C30, S40, S60, S80, V40, V50, V60, V70.

(Engine codes: ALDA, AOBA, AOBC, AODA, AODB, AODE, AOWA, AOWB, ASDA, ASDB, B4164S2, B4164S3, B4164T, B4164T2, B4164T3, BP, CDBB, CDB/C, CDRA/B, CGBA/B, CJBA/B, CSDA, CSDB, E5FA, E5FC, E5SA, E5SB, EDDB, EDDC, EDDD, EDDF, EYDB, EYDC, EYDD/E, EYDF, EYDG, EYDI, EYDJ, EYDL, EYPA, EYPC, F8JA, F8JB, FE, FP, FS, FUJA, FUJB, FYDA/C, FXDB/D, FXJA, FXJA/B, FXJB, FXJC, FYDA/C, FYDB/D, FYDH, FYJA, FYJB, FYJC, GZ, GZFA, GZFB, GZFC, HMDA, HWDA, HWDB, HXDA, HXJA, HXJB, IQDA/B, IQDB, JQDA/B, JTBA/B, JTDA/B, KGBA, KL, L3, L5, L8, LF, M7JA, M7JB, MZR 1.8, N4JB, PNBA, PNDA, Q7DA, QQDA, QQDB, QQDC, RHBA, RTJA, RTJB, SEBA, SEWA, SHDA, SHDB, SHDC, SIDA, SNJA, SNJB, SPJA, SPJC, STJA, STJB, SYDA, TBBA, TBBB, TBWA, TBWB, TNBA, UTJA, YF, ZVSA)

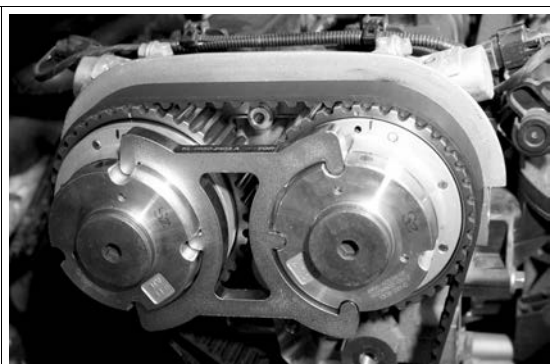
Alternative tool: 303-748, 49 JE02 061, 999-7406, 999-7201, 21-259, 303-1054, 303-1097, 999-7429, 303-393-02, 303-393, 21-168, 303-367, 303-465, 303-376, 303-376 B, 49 JE01 054, 999-7151, 303-507, JE01 061, 303-620, 303-574, 49 N010 101, 303-1550, 999-7431

Designed for the locking/positioning of camshaft, crankshaft and timing belt tensioner. The kit also includes a tool to adjust the VCT unit. An indispensable tool set when replacing timing belts or performing engine repairs.

Scope of Delivery:

KL-0680-24 KB Locking Tool Set, Ford

Part No.	Description	Qty
KL-0680-18	Locking Pin for Crankshaft	1
KL-0180-3024	Retaining Pin, Ø 2.4mm	1
KL-0680-2403 A	Setting Gauge for Camshaft	1
KL-0680-2404 A	Locking Tool for Flywheel	1
KL-0680-15 A	Setting Gauge for Camshaft	1
KL-0680-17	Locking Pin for Crankshaft	1
KL-0680-16 A	Locking Pin for Crankshaft	1
KL-0680-2405 A	Locking Tool for Vibration Damper	1
KL-0680-2490 A	Plastic Storage Case	1



Note: KL-0482-45 KA Locking Tool 1.3; KL-1381-30 Tensioner Tool 1.4 and 1.6;

KL-0680-220 B Set of Locking Pins 1.4 and 1.6; KL-1380-26 KC Locking Tool 1.4, 1.6, 2.0 and 2.2;

KL-1682-25 KA Locking Tool 1.2 8V see Fiat, PSA

4.6 - Valve Train - Opel/Vauxhall

KL-0482-43 KA (Code 2240580)
Locking Tool Set,
Opel/Vauxhall 1.0 12V, 1.2 16V, 1.4 16V

Application: Opel/Vauxhall 1.0 12V as well as 1.2 and 1.4 16V TwinCam (DOHC) petrol engines; as fitted to Opel/Vauxhall Corsa C, Corsa D, Astra G, Astra H, Agila A, Combo C, Meriva A, Tigra B and Suzuki Wagon R+ etc.

(Engine codes: X10XE, Z10XE, Z10XEP, X12XE, Z12XE, Z12XEP, Z14XEL, Z14XEP)

Alternative tool: 09912-38310, KM-952, 09919-08310, EN-49978, KM-954, 09919-58320, KM-955-1, KM-955-10, KM-953, 09919-58310

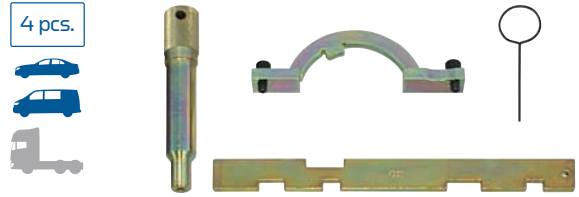
Designed for the locking/positioning of engine shafts such as camshafts and crankshaft, as well as for locking the timing chain tensioner. An indispensable tool set when changing a timing chain or performing an engine repair.

Scope of Delivery:

KL-0482-43 KA Locking Tool Set, Opel/Vauxhall 1.0 12V, 1.2 16V, 1.4 16V

Part No.	Description	Qty
KL-0482-432 A	Locking Pin for Crankshaft	1
KL-0482-433 A	Setting Gauge for Camshaft Pulse Generator	1
KL-0180-3024	Retaining Pin, Ø 2.4mm	1
KL-0680-15 A	Setting Gauge for Camshafts	1
KL-0482-4390 A	Storage Case with Insert	1

4 pcs.



KL-0482-751 A (Code 3285243)
Locking Tool, Opel/Vauxhall 1.0

Applicable to Opel/Vauxhall 1.0, 1.2 and 1.4 litre petrol engines as found in Astra-J, Corsa-D, Insignia, Meriva-B, Zafira-C. (Engine codes: A10XEP, A12XEL, A12XER, A14NEI, A14NEL, A14NET, A14XEL, A14XER, LDD, LUH, LUJ)

Alternative tool: EN-49977, EN-49977-100, EN-49977-200, EN-49978, KM-952, KM-953-A, KM-955-1

Designed for the locking/positioning of camshafts, crankshaft, and timing chain tensioner. The kit also includes a tool to lock the cam phase sensor disc. An indispensable tool set when changing a timing chain or performing an engine repair.

Scope of Delivery:

KL-0482-751 A Locking Tool Set, Opel/Vauxhall 1.0

Part No.	Description	Qty
KL-0482-7510 A	Locking Tool for Camshaft	1
KL-0482-7513	Locking Tool for Camshaft	1
KL-0482-432 A	Locking Pin for Crankshaft	1
KL-0680-15 A	Setting Gauge for Camshaft	1
KL-0180-3024	Retaining Pin, Ø 2.4mm	1
KL-4990-2001	Plastic Storage Box	1

8 pcs.



KL-0482-30 (Code 1815237)
Locking Tool Set,
Opel/Vauxhall 1.4, 1.6, 1.8, 2.0, 2.2

Suitable for the 1.4 16V (X14XE, Z14XE), 1.6 16V (C16XE, X16XE, X16XEL, Y16XE, Z16XE, Z16YNG), 1.8 16V (X18XE, Z18XE, Z18XEL), 2.0 16V (X20XEV, X20XER, Z20LEH, Z20LEL, Z20LER, Z20LET) and 2.2 16V (X22SE, Y22SE, Y22XE, Z22XE) Opel/Vauxhall TwinCam petrol engines.

Alternative tool: KM-853, KM-852

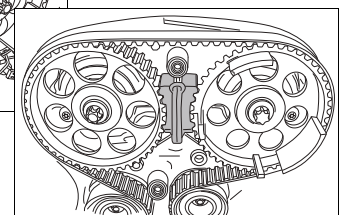
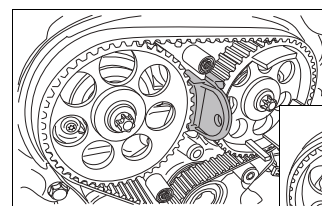
This tool set is designed to lock two camshaft sprockets to one another, so as to prevent the camshaft from turning while changing the timing belt.

Scope of Delivery:

KL-0482-30 Locking Tool Set, Opel/Vauxhall 1.4, 1.6, 1.8, 2.0, 2.2

Part No.	Description	Suitable for
KL-0482-301	Locking Tool for Camshafts	Opel/Vauxhall 1.8 16V, 2.0 16V, 2.2 16V
KL-0482-302	Locking Tool for Camshafts	Opel/Vauxhall 1.4 16V, 1.6 16V

2 pcs.





13 pcs.



KL-0482-33 KA

(Code 2542382)

Locking Tool Set, Opel/Vauxhall 1.4, 1.6, 1.8, 2.0 and 2.2

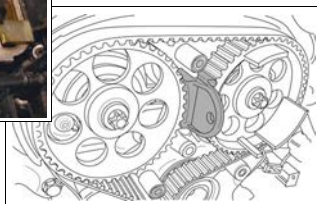
Applicable to the Opel/Vauxhall TwinCam (DOHC) petrol engines: 1.4 16V (G14D, X14XE, Z14XE), 1.6 16V (A16LEL, A16LER, A16LET, A16XER, A16XNT, LDE/A16XER, LDE/F16D4, LED, LGE/A16XNT, LLU/A16LET, LXV/F16D4, Y16XE, Z16LEL, Z16LER, Z16LET, Z16YNG, Z16XE, Z16XE1, Z16XEP, Z16XER, Z16XNT, 192B3.000/Z16XEP), 1.8 16V (A18XER, F18D, Z18XE, Z18XEL, Z18XER, 2HO/A18XEL, 2HO/A18XER, 2HO/Z18XER), 2.0 16V (X20XER, X20XE, Z20LEH, Z20LEL, Z20LER, Z20LET) and 2.2 16V (X22SE, Y22SE, Z22SE, Y22XE, Z22XE, Z22YH); as installed in Opel/Vauxhall: Corsa C, Astra G, Vectra B, Vectra C, Meriva, Zafira A, Zafira B, Combo C, Corsa D, Astra H, Signum, Tigra B, Zafira, Speedster, Omega B, Sintra A, Frontera B, Alfa: 159, Chevrolet: Aveo, Cruze, Fiat: Croma.

Alternative tool: KM-6333, KM-911, KM-853, KM-852, KM-6340, KM-6625, EN 6625, KM-6628-A, KM-6130, KM-6349, EN 6349, KM-6077, KM-6148

Designed for the locking/positioning and checking of engine shafts such as camshaft and crankshaft. The set also includes tools to lock/position the timing belt tensioner. An indispensable tool kit when replacing a timing belt or performing an engine repair.

Scope of Delivery: KL-0482-33 KA Locking Tool Set, Opel/Vauxhall

Part No.	Description	Qty
KL-0482-331	Locking Tool Set, Opel/Vauxhall 1.6	1
KL-0482-332	Flywheel Holding Tool	1
KL-0180-3019	Retaining Pin, Ø 1.9mm	1
KL-0481-71 A	Flywheel Locking Tool, Opel/Vauxhall	1
KL-0482-301	Locking Tool for Camshafts, Opel/Vauxhall 1.8, 2.0 and 2.2	1
KL-0482-302	Locking Tool for Camshafts, Opel/Vauxhall 1.4 and 1.6	1
KL-0482-440 A	Locking Tool Set, Opel/Vauxhall 2.2 16V	1
KL-0482-462 A	Locking Pin, Ø 4mm	1
KL-0482-333 A	Setting Gauge for Camshafts	1
KL-0482-3390	Plastic Storage Case	1



KL-0482-442 A

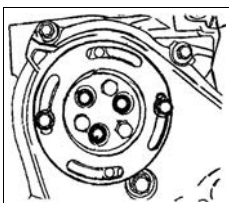
(Code 2479249)

Locking Tool for Water Pump, Opel/Vauxhall 2.2 16V

Applicable to Opel/Vauxhall 2.2 16V TwinCam (DOHC) petrol engines (Z22SE) as found in Astra, Signum, Speedster, Vectra and Zafira etc.

Alternative tool: 2.000.001.200, J-43651, KM-J-43651

When removing/installing the water pump, it is necessary to lock the water pump sprocket by means of tool **KL-0482-442 A**.



3 pcs.



KL-0184-041

(Code 2816326)

Reaction Wrench, Opel/Vauxhall

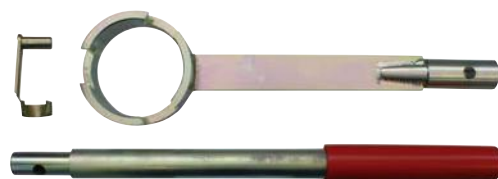
Applicable to Opel/Vauxhall 2.2 16V TwinCam (DOHC) petrol engines; as fitted to Opel/Vauxhall Astra-G, Astra-H, Signum, Vectra-B, Vectra-C, Speedster, Zafira-A, Zafira-B; Fiat Croma (Engine codes: Z22SE, Z22YH, 194A1.000); Alfa 159 (939) 2.2 JTS (Engine code: MKB 939 A5.000).

Alternative tool: 2.000.001.000, 2.192.261.000, 2.192.361.000, EN-38122-A, EN-47981, J-38122-A, KM-930, KM-956-1, KM-977-1

This tool is designed to counter-hold the crankshaft pulley while loosening/tightening the crankshaft central screw.

Technical Data:

Length of assembled tool:	694mm
Length of extension tube with protective handle:	403mm
Length of base tool:	341mm



Scope of Delivery: KL-0184-041 Reaction Wrench, Opel/Vauxhall

Part No.	Description	Qty
KL-0184-0410	Reaction Wrench (Base Tool)	1
KL-0184-0101	Extension Tube with Protective Handle	1
KL-0184-0103	Folding Spring Bolt	1

4.6 - Valve Train - Opel/Vauxhall / Fiat, PSA

KL-0483-11 [Code 2525828]

Counter-Holding Tool, 41mm waf,
Opel/Vauxhall/GM

Suitable for use on Opel/Vauxhall and GM 1.2, 1.3, 1.4, 1.6 litre OHC engines; Daewoo 1.4, 1.5, 1.6, 1.8; Chevrolet 1.4, 1.6. (Engine codes: A13DM/14SMS, A15DM/15SMS, A16DM, A16DMS, F14D3, F14S3, F16D3, F18N, LXT, Z16SE)

Alternative tool: J-42492, KM-421-A, KM-421-B, KM-6283

This tool is designed to turn the water pump for adjusting the tension on the drive belt.

Recommended Accessory: 1993 U-20 Reversible Ratchet 1/2"

Advantages:

- Ensures the viscous clutch is securely counter-held.
- Prevents damage to the viscous clutch.
- High-quality tool due to a special manufacturing process.



Technical Data:

Size (waf):	41mm
Drive:	1/2"
Length:	90mm
Weight:	110g



Note:

KL-1380-753 KB Locking Tool 1.0 and 1.2; **KL-0482-46 KB** Locking Tool 1.6, 1.9, 2.0 and 2.4 see **Fiat, PSA**
KL-1280-701 Locking Tool 1.5 and 2.8; **KL-1280-27 K** Locking Tool 2.0 and 2.3 see **Renault**

KL-0482-45 KA [Code 2439808]

Locking Tool Set

Applicable to Opel/Vauxhall (Suzuki/Subaru) 1.3 litre CDTi/DDIS Diesel engines (Engine codes: A13DTC, A13DTE, A13DTR, D13A, LDV/A13DTC, LSF/A13DTE, Z13DT, Z13DTH, Z13DTI, Z13DTJ, Z13DTR) as found in Corsa, Swift etc.

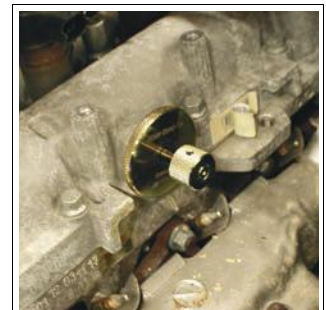
Applicable to Fiat (Alfa/Ford/Lancia/Citroën/Peugeot) 1.3 litre engines (Engine codes: 169A1.000; 169A1.000 (FD4)/BAAA/B; 169A5.000; 188A8.000; 188A9.000; 199A2.000; 199A3.000; 199A9.000; 199B1.000; 199B1.0000; 199B2.000; 199B4.000; 223A9.000; 263A2.000; 263A2.000; F13DTE5 (FHZ))

Alternative tool: 0104-A, 09917-68610, 1.860.985.000, 1.871.000.900, 303-1472, EN-46781, 1.870.896.900, 0104-C, 09912-38300, 09912-46310, EN-46785, 1.870.900.300, 303-1468, 09919-58320, 303-1054, KM-955-1, KM-955-10

This tool set is designed for the locking/positioning of engine shafts such as camshaft and crankshaft, as well as of the timing chain tensioner while replacing a timing chain or during an engine repair.

Scope of Delivery: KL-0482-45 K Locking Tool Set

Part No.	Description	Qty
KL-0482-450 A	Locking Tool for Camshaft (2 pcs.)	1
KL-0482-451 A	Locking Pin for Crankshaft, Ø 6mm	1
KL-0482-434	Retaining Pin, Ø 2.4mm	1
KL-0482-4590 A	Plastic Storage Case	1



KL-1381-30 [Code 2837390]

Tensioner Tool with Locking Pin

Applicable to PSA (Citroën, Peugeot), Fiat and Ford 1.4 und 1.6 litre Diesel engines as found in:

Citroën Berlingo/Berlingo First I/II, C1, C2, C3 I/II/First/Classic, C3 III, C3 Picasso, C3 Pluriel, C4 II, C4 Picasso/Grand Picasso, C5 III, DS3, Berlingo III, DS4, DS3, DS4, Xsara II, Xsara Picasso; Peugeot Partner III, 206, 207, 207 CC, 308, 308 CC, 508, 3008, 5008; Ford Tourneo Connect. (Engine codes: DV4, DV6)

Facilitates the tensioning and locking of auxiliary belt tensioners (V-ribbed belt) - even in limited space conditions. An indispensable tool when removing/installing V-ribbed belts.

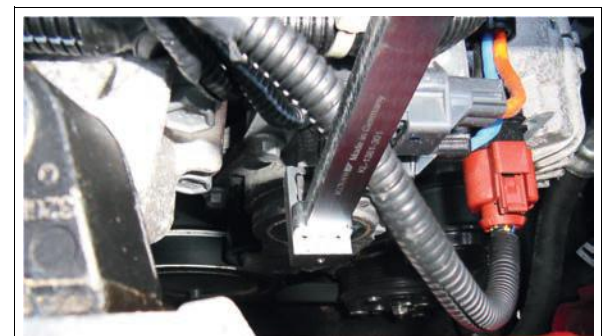
Recommended Accessory: KL-0183-21 Belt Mounting Tool

Technical Data:

Length of tension lever:	465mm
Ø of retaining pin:	4.2mm

Scope of Delivery: KL-1381-30 Tensioner Tool with Locking Pin

Part No.	Description	Qty
KL-1381-3021	Locking Pin (angled), Ø 4.2mm	1
KL-1381-301	Tension Lever with Base Body	1





4 pcs.



KL-0680-220 B

(Code 2296063)

Set of Locking Pins, Citroën/Mazda/ Peugeot/Suzuki/Toyota/Volvo

Applicable to Citroën 1.4, 1.4 Hdi, 1.6 Hdi, 2.0; Fiat 1.6 JTD; Ford 1.4 TDCi, 1.6 TDCi; Mazda 1.4 TDCi, 1.6 D, 1.6 MZ-CD; Peugeot 1.4 Hdi, 1.6 Hdi; Suzuki 1.4 DDiS; Toyota 1.0 VVT, 1.4 Di, 1.4 HDi; Volvo 1.6 D Diesel engines.

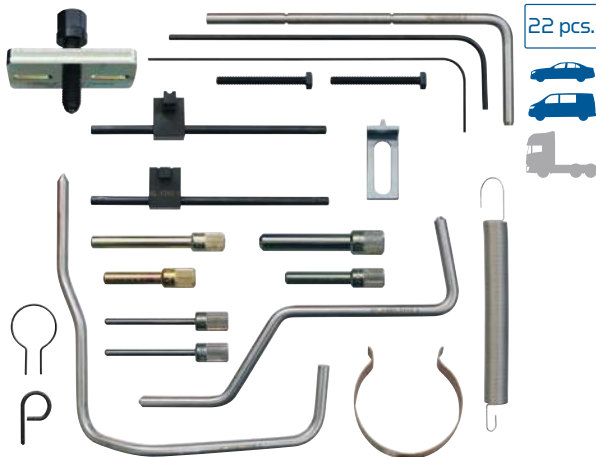
(Engine codes: 8HP, 8HR, 8HS, 8HT, 8HV, 8HW, 8HX, 8HY, 8HZ, 9HF, 9HH, 9HJ, 9HL, 9HM, 9HN, 9HP, 9HR, 9HS, 9HT, 9HU, 9HV, 9HW, 9HX, 9HY, 9HZ, D4162T, D4164T, DV4C, DV4TD, DV4TED, DV4TED4, DV6, DV6C, DV6ATED4, DV6AUTED4, DV6BTED4, DV6BUTED4, DV6D, DV6DTEd, DV6DU, DV6ETED, DV6TED4, DV6TED4B, DV6TED4BU, DV6UC, DV6UTED4, F6JA, F6JA, F6JB, F6JC, F6JD, G8DA, G8DB, G8DD, GPDA, HHDA, HHDB, HHJA, HHJB, HHJC, HHJD, HHJE, HHJF, MZ-CD 1.6 (Y6), T1BA/B/C, TZJA, Y6)

Alternative tool: 0194-C, 21-260, 21-262, 21-263, 303-734, 49 JE02 020, 999-7169, 2.000.022.500, 0194-A, 2.000.023.000, 2.000.023.100, 21-260, 303-732, 49 JE02 018, 999-7233, 0194-B, 2.000.023.200, 21-263, 303-735, 49 JE02 021, 999-7122

These pins are used for the locking/positioning of engine shafts such as camshaft, injection pump shaft and crankshaft when replacing a timing belt or during an engine repair.

Scope of Delivery: KL-0680-220 B Set of Locking Pins

Part No.	Description	Qty
KL-0680-2201 A	Locking Pin, Ø 11mm	1
KL-0680-2202 A	Locking Pin, Ø 4.5mm	2
KL-0680-2203 B	Locking Pin, Ø 8mm	1



22 pcs.



KL-1380-26 KC

(Code 2916371)

Locking Tool Set, PSA 1.4, 1.6, 2.0, 2.2 HDI

Applicable to PSA Citroën / Peugeot, Lancia, Ford, Volvo and Fiat 1.4, 1.6, 2.0 and 2.2 HDI Diesel engines, as found in: Peugeot Boxer II, Expert I/II, Expert III, Partner/Partner Origin/Ranch I/II, RCZ, Boxer II, 206+, Bipper, Partner III, Expert III, Partner III, Partner/Partner Origin/Ranch I/II, 107, 206, 206 CC, 207, 207 CC, 307, 307 CC, 308, 308 CC, 406, 406 Coupe, 407, 508, 607, 807, 1007, 3008, 4007, 5008; Citroën Berlingo III, Berlingo/Berlingo First I/II, C1, C2, C3 I/II/First/Classic, C3 III, C3 Picasso, C3 Pluriel, C4, C4 II, C4 Picasso/Grand Picasso, C5, C5 II, C5 III, C6, C8, C-Crosser, Dispatch/Jumpy III, DS3, DS4, Nemo, Relay/Jumper II, Xsara II, Xsara II Picasso; Fiat Ducato, Scudo, Ulysse; Lancia Phedra; Ford Scudo, C-MAX, Fiesta, Focus, Focus C-MAX, Fusion, Grand C-MAX, Mondeo; Mazda 2, 3, 5 and Volvo C30, S40, S60, S80, V50, V70.

Alternative tool: 0188-Y, 0153N, 1.860.863.000, 1.870.827.000, 7104-TJ, 9767.34, 0188-D, 7017-TR, 0288-D, 0188-M, 9766.98, 0178-A, 0132-AJ1, 5711-TA, 7014-TN, 2.000.023.200, 0153-AL, 0188-F, 0134-AF, 9044-T, 0188-X

For locking/positioning the camshaft, crankshaft, injection pump shaft and flywheel. The kit also contains tools for adjusting the timing belt tensioner and for holding the belt in position. An indispensable tool set when replacing a timing belt or performing an engine repair.

Scope of Delivery:

KL-1380-26 KC Locking Tool Set, PSA 1.4, 1.6, 2.0, 2.2 HDI

Part No.	Description	Qty
KL-1380-2215 A	Locking Pin (angled)	1
KL-1380-2216 A	Locking Pin (angled)	1
KL-1380-2219 A	Locking Pin, Ø 7.9mm	1
KL-1380-2220 A	Locking Pin, Ø 7.9mm	1
KL-1380-2228 A	Retaining Pin for Tensioner Pulley	1
KL-1380-231 A	Locking Tool for Flywheel	1
KL-1380-233 A	Locking Pin (angled), Ø 7.7mm	1
KL-1380-234 A	Puller for Crankshaft Pulley	1
KL-1380-237 A	Retaining Clip for Timing Belt	1
KL-1380-2601 A	Centring Tool for Crankshaft Sprocket	1
KL-1380-2602 A	Locking Tool for Crankshaft, Ø 2mm	1
KL-1380-2603	Locking Pin (angled), Ø 4mm	1
KL-1382-1	Adjustment Tool for Timing Belt Tensioner	1
KL-1382-2	Adjustment Tool for Timing Belt Tensioner	1
KL-0680-2201 A	Locking Pin, Ø 11mm	1
KL-0680-2202 A	Locking Pin, Ø 4.5mm	2
KL-0680-2203 B	Locking Pin, Ø 8mm	1
KL-1380-2690 A	Plastic Storage Case	1



(Engine codes: 4HK, 4HL, 4HN, 4HP, 4HR, 4HS, 4HT, 4HW, 4HX, 4HY, 4HZ, 8HP, 8HR, 8HS, 8HT, 8HV, 8HW, 8HX, 8HZ, 9HF, 9HH, 9HJ, 9HL, 9HM, 9HN, 9HP, 9HR, 9HS, 9HT, 9HU, 9HV, 9HW, 9HX, 9HY, 9HZ, AHY, AHZ, D4162T, D4162T DRIVE, D4164T, D4164T DRIVE, DV4C, DV4TD, DV4TED, DV4TED4, DV6ATED4, DV6AUTED4, DV6BTED4, DV6BUTED4, DV6C, DV6D, DV6DTEd, DV6DU, DV6ETED, DV6TED4, DV6TED4B, DV6TED4BU, DV6UC, DV6UTED4, DW10ATED, DW10ATED/L3, DW10ATED4, DW10ATED4/L4, DW10ATED4/L44H, DW10BTED, DW10BTED/L3, DW10BTED4, DW10C, DW10CTED4, DW10CTED4, DW10JATED4, DW10UTD, DW10UTED4, DW12ATED, DW12ATED4/L4, DW12BTED4, DW12CTED4, DW12MTED4, DW12TED4, DW12TED4/L4, DW12UTED, F6JA, F6JB, F6JC, F6JD, G8DA, G8DB, G8DD, GPDA, HHDA, HHDB, HHJA, HHJB, HHJC, HHJD, HHJE, HHJF, MZ-CD 1.6 Y6, H02, RHC, RHD, RHE, RHE, RHF, RHG, RHH, RHJ, RHK, RHL, RHM, RHR, RHS, RHT, RHV, RHW, RHX, RHY, RHY, RHZ, T1BA/B/C, TZJA, Y6)

4.6 - Valve Train - Fiat, PSA

KL-1682-44 (Code 3132722)
Locking Tool Set, High-Pressure Pump Sprocket

Applicable to: Fiat 1.6 and 2.0 JTD Common Rail Diesel engines.
Fitted to: Fiat Freemont, Ducato, Doblo and Doblo Cargo etc.
Engine codes: 940A5.000, 939B5.000, 250A1.000, 263A4.000, 263A5.000

Alternative tool: 2.000.026.900

For locking the high-pressure pump. For pressing/centring the injection pump sprocket onto the injection pump shaft. In conjunction with an appropriate puller, also suitable for removing the injection pump sprocket. Indispensable tools when replacing a timing belt and/or high-pressure pump, or when performing an engine repair.

7 pcs.



Scope of Delivery:

KL-1682-44 Locking Tool Set, High-Pressure Pump Sprocket

Part No.	Description	Qty
KL-1682-4401	Fixing Nut, M14x1.5	1
KL-1682-4402	Special Screw, M6	1
KL-0055-0012	Cheese Head Screw, M6x25mm	1
KL-1682-4403	Hex Screw, M6x40mm	2
KL-0008-0013	Washer, Ø 6mm	2

KL-0482-46 KB (Code 2898985)
Locking Tool Set

Applicable to Opel/Vauxhall, Alfa Romeo, Fiat, Lancia and Suzuki 1.6, 1.9, 2.0 and 2.4 litre Diesel engines as found in: Opel/Vauxhall Astra, Astra-H, Insignia, Signum, Vectra-C, Zafira-B; Saab 9-3, 9-5; Alfa 147, 156, 159, 166, Brera, Giulietta, GT, Mito, Spider; Fiat Bravo, Croma, Doblo, Idea, Linea, Marea, Multipla, Punto, Ritmo, Sedici, Stilo, Strada; Lancia Delta, Lybra, Musa, Thesis; Suzuki SX4.

(Engine codes: 182B9.000, 186A6.000, 186A8.000, 186A9.000, 188A2.000, 188A3.000, 188A7.000, 188B2.000, 192A1.000, 192A3.000, 192A5.000, 192A8.000, 192A9.000, 192B1.000, 192B4.000, 192B5.000, 198A2.000, 198A3.000, 198A5.000, 198A6.000, 199A5.000, 223A6.000, 223A7.000, 223B1.000, 350A2.000, 350A3.000, 362.02, 371.01, 839A6.000, 841C.000, 841G.000, 841H.000, 841M.000, 841P.000, 844A1.000, 844A2.000, 844A3.000, 937A2.000, 937A3.000, 937A4.000, 937A5.000, 937A6.000, 939A1.000, 939A2.000, 939A3.000, 939A7.000, 939A8.000, 939A9.000, 939B3.000, 939B4.000, 940A3.000, 940A4.000, 940A5.000, 955A3.000, 955A4.000, A20DTC, A20DTH, A20DTJ, A20DTR, D19AA, D20AA, LBS, LBX, LBY, LCD, RHT, Z19DT, Z19DTH, Z19DTJ, Z19DTL, Z19DTR)

Alternative tool: EN-46788, 32 025 009, 2.192.543.000, 2.000.003.000, 1.860.905.000, 1.860.905.010, 09912-37910, EN-46789, 32 025 008, 1.870.986.900, 1.860.863.000, 09917-68620, KM-6349, KM-6130, 87 92 335, 1.820.630.000, 1.860.898.000

Designed for the locking/positioning of camshafts, crankshaft, and flywheel. The kit also includes a tool to lock the V-ribbed belt tensioner. An indispensable tool set when replacing a timing belt or performing an engine repair.

7 pcs.



Scope of Delivery:

KL-0482-46 KB Locking Tool Set

Part No.	Description	Qty
KL-1682-202 A	Locking Tool for Crankshaft	1
KL-0482-461 A	Locking Pin Set for Camshaft	1
KL-0482-462 A	Locking Pin, Ø 4mm	1
KL-1682-131 A	Flywheel Holding Tool	1
KL-1682-4290 A	Plastic Storage Case	1

KL-1682-26 KA (Code 2900254)
Locking Tool Set, 2.3, 2.8 and 3.0 JTD

Applicable to Fiat, Citroën, Peugeot and Iveco 2.3, 2.8 and 3.0 litre Diesel engines as found in: Fiat Ducato; Peugeot Boxer; Citroën Relay, Jumper; Iveco Daily.

(Engine codes: 8140.43B, 8140.43C, 8140.43N, 8140.43R, 8140.43S, 8140.63, F1AE0481A, F1AE0481B, F1AE0481C, F1AE0481D, F1AE0481F, F1AE0481FA, F1AE0481G, F1AE0481GA, F1AE0481H, F1AE0481HA, F1AE0481N, F1AE0481R, F1AE0481RA, F1AE0481UA, F1AE0481VA, F1CE0481A, F1CE0481B, F1CE0481D, F1CE0481D/SOFIM, F1CE0481F, F1CE0481H, F1CE3481D, F1CE3481D/SOFIM, F1CE3481DM, F1CE3481DM/SOFIM, F1CE3481E, F1CE3481E/SOFIM, F1CE3481M, F1CE3481N, F1CE3481N/SOFIM, F30DTE)

Alternative tool: 0194-C, 99395214, KM-6031, Mot.1054, 1.870.765.001, 1.860.617.000, 99360608, Mot. 910, 1.860.638.000, 0191-H, 99360614, 0191-B, 0191-2B, 0192-B, 2.000.018.200, 99360615, 0192-A, 0191-A, 0191-2A, 4533-TAD, 1.870.900.100, 0189-K, 0188-K, 0187-J, 0153-AK, 0132-AK

Designed for the locking/positioning of the injection pump shaft, camshafts and crankshaft. The kit also includes tools to lock the timing belt tensioner and to fix the timing belt during installation.

An indispensable tool set when replacing a timing belt or performing an engine repair.

9 tlg.



Scope of Delivery:

KL-1682-26 KA Locking Tool Set, 2.3, 2.8 and 3.0 JTD

Part No.	Description	Qty
KL-0680-2201 A	Locking Pin, Ø 11mm	1
KL-1280-233 B	Locking Pin, Ø 7.9/11.9mm	1
KL-1682-2601	Locking Tool for Flywheel	1
KL-1380-2213 A	Locking Pin, Ø 4.9mm	1
KL-1682-2401	Spacer Sleeve for Timing Belt	1
KL-1682-410 A	Locking Tool for Camshaft	1
KL-1682-411 A	Locking Tool for Crankshaft	1
KL-1380-237 A	Retaining Clip for Timing Belt	1
KL-1682-2690	Plastic Storage Case	1



KL-1380-231 A

[Code 2479737]

Locking Tool for Flywheel, Citroën/Peugeot

(Engine codes: 4HK, 4HL, 4HN, 4HP, 4HR, 4HS, 4HT, 4HW, 4HX, 4HY, 4HZ, AHY, AHZ, D4204T, DW10ATED, DW10ATED4, DW10ATED/L3, DW10ATED4/L4, DW10BTED, DW10BTED/L3, DW10BTED4, DW10C, DW10CTED4, DW10JATED4, DW10UTED4, DW10UTD, DW10TD, DW12ATED, DW12ATED4/L4, DW12BTED4, DW12CTED4, DW12TED4, DW12UTED, DW8, DW8/L/W3, DW8/L3, DW8B, DW8B/L4, DW8B/L4, LFY, RFS, RFV, RHC, RHD, RHE, RHF, RHG, RHH, RHJ, RHK, RHL, RHM, RHR, RHS, RHT, RHV, RHW, RHX, RHY, RHZ, WJY, WJZ, XU10J4R/L3, XU10J4RS/L3, XU7JP4/L3)

Applicable to Citroën/Peugeot Diesel and petrol engines; as well as for Porsche 911 (991). 1.9 DW8; 2.0 HDI, DW10; 2.2 HDI DW12; Volvo 2.0 D4204T.

Alternative tool: 0134-AF, 0134-Q, 0153-A, 0153-AF, 0188-F, 7044-T, 9004-T, 9044-T, 999-7120

Designed to lock the flywheel.



3 pcs.



KL-1380-753 KB

[Code 3292258]

Locking Tool Set, PSA

Applicable to Citroën, Peugeot, Opel/Vauxhall 1.0 and 1.2 litre (3-cylinder) petrol engines as fitted to:

Citroën C1 II, C3 III, C4 Cactus, C4II, DS4, DS3, C-Elysee; Peugeot 108, 208, 301, 308, 308 II, 2008 and Opel/Vauxhall Crossland X, Grandland X.

Engine codes: EB0 [ZMZ], EB2, EB2 [HMT], EB2 [HMW], EB2 [HMZ], EB2D [HMT], EB2DT, EB2DT [HNZ], EB2DTS [HNY], EB2F [HMZ], EBF2 [HMZ]

Alternative tool: Peugeot + Citroën 0109-2, 0109-2A, 0109-2B, 0188-Q1, 0197-N; Opel EN-52127-1, EN-52127-2

Designed for the locking of camshafts and crankshaft.

An indispensable tool set when changing a timing belt or performing an engine repair.

Scope of Delivery:

KL-1380-753 KB Locking Tool Set, PSA

Part No.	Description	Qty
KL-1380-7531 A	Locking Plate for Camshaft	1
KL-1380-7532	Locking Pin, Ø 14/7.7mm	1
KL-1380-2603	Locking Pin, Ø 4mm, angled	1
KL-1380-7539	Plastic Storage Case	1



15 pcs.



KL-1682-25 KA

[Code 2705931]

Locking Tool Set, Fiat 1.2, 1.4 8V

Applicable to Fiat/Lancia 1.2 and 1.4 as well as to Ford 1.2 8-valve petrol engines as found in Fiat New 500, Idea, Grande Punto, Linea, Doblo, Panda, Qubo; Lancia Musa, Ypsilon; Ford Ka.

(Engine codes: 169A4.000, 199A4.000, 199A7.000, 350A1.000, FP4)

Alternative tool: 2.000.004.300, 2.000.004.200, 2.191.964.200, 2.000.004.400, 2.191.964.400, 1.860.987.000, 2.191.964.500, 2.000.004.500

This tool set is used for the locking/positioning of camshaft and crankshaft as well as for adjusting the timing belt tensioner and centring the cam position sensor cover. Essential tools when changing a timing belt or performing an engine repair.

Scope of Delivery: KL-1682-25 KA Locking Tool Set, Fiat 1.2, 1.4 8V

Part No.	Description	Qty
KL-1682-251 A	Setting Gauge for Camshaft Sensor Cover	1
KL-1682-252 A	Locking Tool for Camshaft Sprocket	1
KL-1682-253 A	Setting Gauge for Camshaft	1
KL-1682-103 A	Tensioner Adjustment Tool	1
KL-1682-104 A	Locking Tool for Crankshaft	1
KL-1682-2590 A	Plastic Storage Case	1

Note:

KL-0482-33 KA Locking Tool 1.4, 1.6, 1.8, 2.0 and 2.2; KL-0184-041 Reaction Wrench 2.2 16V see Opel

KL-0680-28 K Locking Tool 1.4 and 1.6 HDI see Ford

KL-0580-83 KA Locking Tool 1.4 and 1.6 see BMW

4.6 - Valve Train - Renault, Dacia, Nissan

KL-1280-23 KB (Code 2224100)

Locking Tool Set,
Renault 1.4, 1.6, 1.8, 2.0 16V and 1.5 dCi

Applicable to Renault 1.4, 1.6, 1.8 and 2.0 16V petrol engines as well as 1.5 dCi (K9K) Diesel engines. Fitted to: Renault Clio, Clio Sport, Modus, Megane / Scenic, Kangoo, Espace, Laguna; Nissan Micra, Almera, Kubistar, Cube, Juke, Note, NV200, Qashqai, Tiida; Dacia Duster, Logan; Opel/Vauxhall Vivaro; Suzuki Jimny etc. (Engine codes: K4J, K4M, F4P, F4Rt, F4R)

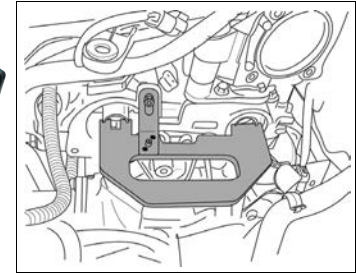
Alternative tool: KM-6233, KM-6031, KM-6130, Mot.1496, Mot.1750, Mot.1054, Mot.1430, Mot.861, Mot.1489

For the locking of camshafts and crankshaft. An indispensable tool set when replacing a timing belt or performing an engine repair.

Scope of Delivery: KL-1280-23 KB Locking Tool Set, Renault

Part No.	Description	Qty
KL-1280-231 B	Setting Gauge for Camshafts	1
KL-1280-233 B	Locking Pin, Ø 7.9/11.9mm	1
KL-1280-234 B	Locking Pin, M10/Ø 7.9mm	1
KL-1280-2390 B	Plastic Storage Case	1

6 pcs.



KL-1280-701 (Code 2898160)

Locking Tool Set, Renault

Applicable to Dacia, Nissan, Opel/Vauxhall, Renault, Suzuki and Mercedes 1.5 and 2.8 litre Diesel engines as fitted to: Renault Clio II / III, Fluence, Kangoo I / II, Laguna III, Logan, Mascott, Master II / Propulsion / RWD, Megane II / III, Modus I / II, Scenic I / II, Twingo II; Opel/Vauxhall Movano-A; Dacia Duster, Logan / MCV / Pick-up / Van; Nissan Cube, Juke, Kubistar, Micra, Note, NV200, Qashqai, Tiida; Suzuki Jimny; Mercedes A-Class, B-Class, Citan, CLA.

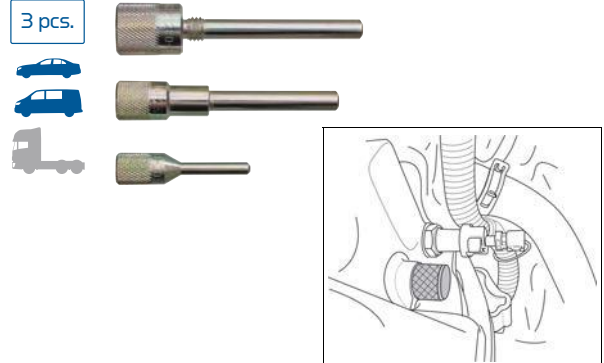
Alternative tool: KV113B0110, 09919-58120, Mot.1430, Mot.1054, KV113B0130, Mot.1489, 09919-58110, Mot.910, Mot.910/1

Designed for the locking/positioning of engine shafts such as camshaft, crankshaft, injection pump and flywheel. An indispensable tool set when changing a timing belt or performing an engine repair.

Scope of Delivery: KL-1280-701 Locking Tool Set, Renault

Part No.	Description	Qty
KL-1280-233 B	Locking Pin, Ø 7.9/11.9mm	1
KL-1280-234 B	Locking Pin, M10/Ø 7.9mm	1
KL-1280-203 A	Locking Pin, Ø 4.9mm	1

3 pcs.



(Engine codes: K9K, K9K 262, K9K 266, K9K 299, K9K 700, K9K 702, K9K 704, K9K 706, K9K 710, K9K 712, K9K 714, K9K 716, K9K 718, K9K 722, K9K 724, K9K 728, K9K 729, K9K 732, K9K 740, K9K 750, K9K 752, K9K 760, K9K 762, K9K 764, K9K 766, K9K 768, K9K 770, K9K 772, K9K 774, K9K 780, K9K 782, K9K 790, K9K 792, K9K 794, K9K 796, K9K 800, K9K 802, K9K 804, K9K 806, K9K 808, K9K 830, K9K 832, K9K 834, K9K 836, K9K 837, K9K 838, K9K 842, K9K 846, K9K 884, K9K 892, K9K 894, K9K 896, K9K 898; S9W 206, S9W 208, S9W 212, S9W 700, S9W 702, 607.951)

KL-1280-27 K (Code 2454254)

Locking Tool Set, Renault 2.0 dCi

Applicable to Renault, Nissan, Opel/Vauxhall 2.0 and 2.3 dci Diesel engines as found in Renault Espace IV, Koleos, Laguna, Master, Megane, Senic III, Traffic II, Vel Statis; Nissan: Primastar, Qashqai, X-Trail; Opel/Vauxhall: Movano-B, Vivaro. (Engine codes: M9R, M9T)

Alternative tool: Mot.1769, EN-48332, EN-6349, KM-6130, KM-6349, Mot.1766, EN-48330, Mot.1431

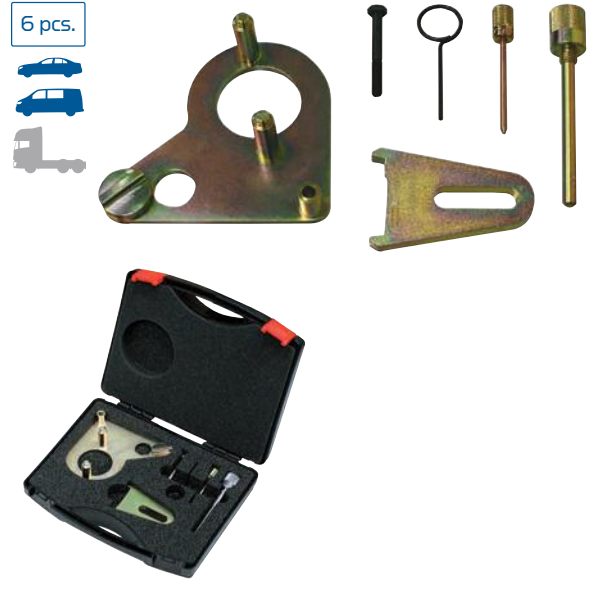
Designed for the locking/positioning of camshaft, crankshaft and timing chain tensioner. An indispensable tool set when replacing a timing chain or performing an engine repair.

Scope of Delivery:

KL-1280-27 K Locking Tool Set, Renault 2.0 dCi

Part No.	Description	Qty
KL-1280-271	Locking Tool for Camshaft	1
KL-1280-272	Locking Pin, M10/Ø 7.5mm	1
KL-0180-3026	Retaining Pin, Ø 2.6mm	1
KL-0182-19 A	Flywheel Locking Tool	1
KL-0482-462 A	Locking Pin, Ø 4mm	1
KL-1280-2790	Plastic Storage Case	1

6 pcs.





4 pcs.



KL-1280-281 B

(Code 3135101)

Counter-Holding Plate for Camshaft Sprockets

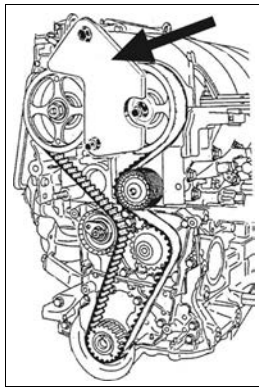
Applicable to Renault 1.8, 2.0, 2.0 16V and 2.0 Turbo petrol engines. Found in: Renault Clio II, Espace III / IV, Laguna I / II / III, Megane I / II / CC, Scenic I, Grand Scenic, Vel Satis, Aventime; Nissan Primastar; Opel Vivaro A. etc. (Engine codes: F4P 720, F4P 722, F4P 770/771, F4P 772, F4P 773, F4P 774, F4P 775, F4R 712, F4R 713, F4R 714, F4R 715, F4R 720/722, F4R 730, F4R 732, F4R 740, F4R 740/741, F4R 741, F4R 744, F4R 746, F4R 770/771, F4R 790, F4R 791, F4R 792, F4R 820, F4R 830, F4R 832, F4Rt 720/722, F4Rt 762/763, F4Rt 764/765, F4Rt 766, F4Rt 767, F4Rt 774, F4Rt 776, F4Rt 784, F4Rt 786, F4Rt 787, F4Rt 794/795, F4Rt 796/797, F4Rt 800, F4Rt 802, F4Rt 810, F4Rt 811, F4Rt 813, F4Rt 867, F4Rt 870, F4Rt 874, F4Rt 886, F4Rt 887, F4Rt 896/897, F4P, F4Rt, F4R)

Designed for the locking/positioning of camshafts. An indispensable tool set when replacing a timing belt or performing an engine repair.

Scope of Delivery: KL-1280-281 B Counter-Holding Plate for Camshaft Sprockets

Part No.	Description	Qty
KL-1280-2810 B	Counter-Holding Plate	1
KL-1280-2811	Locking Cog Wheel	2
KL-1280-2812	Shoulder Nut M10	1

Alternative tool: Mot. 1509, Mot.1801, Mot. 1509-01



KL-1280-236 A

(Code 2640309)

Counter-Holding Plate for Camshaft Sprockets, Renault

Suitable for use on Renault 1.4 and 1.6 litre TwinCam petrol engines (engine codes: K4J, K4M) as found in Clio III, Megane/Scenic II, Laguna II, Modus and Kangoo.

Alternative tool: Mot.1490-01

This tool is used to lock/counter-hold the camshaft sprockets while loosening/tightening the camshaft central screw, e.g. when replacing a timing belt or during an engine repair.



2 pcs.



KL-1280-237

(Code 2453509)

Installation Tool Set, Renault

Suitable for use on Renault 1.4, 1.6, 1.8 and 2.0 16V TwinCam petrol engines as found in Renault Clio, Avantime, Laguna, Megane, Modus, Scenic, Trafic, Twingo, Vel Satis, Kangoo und Espace; Dacia Duster and Logan; Nissan Primastar; Opel/Vauxhall Vivaro. (Engine codes: K4J, K4M, F4P, F4R; F4Rt, F5R)

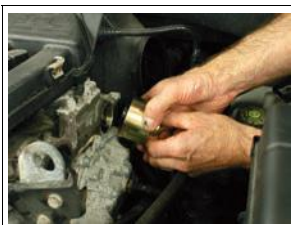
Alternative tool: KM-6231, KM-6232, Mot.1487, Mot.1488

These tools allow for the quick and easy installation of camshaft plugs. They are required when replacing a timing belt or performing an engine repair.

Recommended Accessory: 248 ST-30 Plastic hammer

Scope of Delivery: KL-1280-237 Installation Tool Set, Renault

Part No.	Description	Qty
KL-1280-2371	Installation Tool, Ø 43mm	1
KL-1280-2372	Installation Tool, Ø 57.5mm	1



2 pcs.



KL-1280-235 B

(Code 2693232)

Adjustment Tool for Idler Pulley

Suitable for use on Renault 1.4 and 1.6 TwinCam (DOHC) petrol engines (engine codes: K4J, K4M) as found in Clio III, Megane/Scenic II, Laguna II, Modus and Kangoo. Volvo 2.4 and 2.5 engines (engine codes: B5244S4, B5244S5, B5244S7, B5254T3, B5254T7) as found in C30, C70, S40 and V50. Proton Savvy 1.2 (engine code: D4F).

This tool is required for the removal and installation of the idler pulley, e.g. when replacing a timing belt or performing an engine repair.

Alternativ Werkzeug: 999-7109, Mot.1368

4.6 - Valve Train



KL-0146-20
Engine Support Device

(Code 2841576)

Universally suitable for supporting passenger car engines.

Designed to properly and safely support passenger car engines during maintenance work. Required when changing the timing belt, water pump or engine mount for example.

The special design of the device with its clamping hook assembly featuring large and individually adjustable clamping hooks with wide supporting surfaces, the unique fastening mechanism enabling the engine support to be fixed to the vehicle frame, and the cleverly designed support plate assembly with its adjustable tilting support pad (100mm) ensure safe and solid support of the engine.

This allows the mechanic to conveniently work on the engine from the top as well as from the bottom, with the engine always safely supported and secured against the risk of dropping - even when performing tasks such as turning engine shafts, loosening and tightening fixing bolts etc. The clamping hooks are 360° rotatable and can be arranged universally to fit virtually any vehicle width. Once the device clamping hooks have been correctly positioned on the vehicle frame, these can easily be tightened to securely fix the support assembly to the vehicle. This prevents the engine support device from slipping or dropping.

The ingenious **KL-0146-20** engine support device from GEDORE Automotive offers you a maximum of safety and functionality combined with a wide range of application possibilities - without the need for additional accessories such as vehicle-specific adaptors etc.

Recommended Accessory: KL-0146-21 Retaining Device

Scope of Delivery:

KL-0146-20 Engine Support Device

Part No.	Description	Qty
KL-0146-201	Base Frame	1
KL-0146-202 A	Clamping Hook Assembly	2
KL-0146-203	Support Plate Assembly	1



Technical Data:

Max. load capacity:	100-300kg
Overall length:	1,100mm
Clamping hook width:	50mm
Clamping range:	approx. 70mm
Height offset between clamping hooks:	approx. 90mm
Support plate height adjustment:	120mm
Weight:	16.5kg

KL-0146-21
Retaining Device

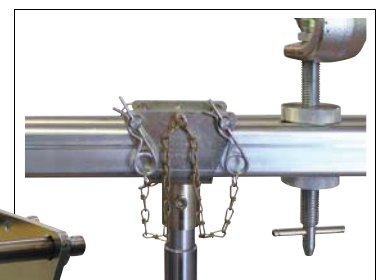
(Code 3020118)

The **KL-0146-21** retaining device enables the **KL-0146-20** engine support device to be safely and securely held in an appropriate transmission jack (with piston rod end diameter of 30mm).

This will ease the installation/removal of the heavy engine support device to/from the vehicle.

Recommended Accessory:

KL-0040-2571 Adaptor Sleeve, Ø 25mm





2 pcs.



KL-0183-70 K

(Code 2123541)

Tool Kit for V-Ribbed Belts

Applicable to BMW 1 Series (E81, E87), 3 Series (E46, E90, E91, E92, E93), 5 Series (E60, E61), 6 Series (E63, E64), 7 Series (E65, E66), X3 (E83), X5 (E53, E70), X6 (E71, E72); Chrysler Voyager III (RG); Citroën C2 (JM_), C3 (FC_, HB_), C4 (LC_, LA_, UA_, UD_), Jumper; Dacia Logan / MCV; Fiat Doblo (119, 223), Ducato (244), Fiorino, Linea, Palio (178BX), Stilo (192), Strada (178E); Ford C-Max, Fiesta V (JH_, JD_), Focus II / C-Max (DA_, DAW_), Fusion (JU_); Mazda 3 (BK12, BK14), 5 (CR19); Peugeot 206 CC (2D), 207 (WA_, WC_, WD_), 307 (3A/C, 3E, 3H), Boxer; Renault Logan (LS_); Škoda Fabia; Volvo C30, S40 II (MS), V50 (MV); VW Polo (9N_).

This tool set is indispensable for the quick and easy removal and installation of the newly developed elastic V-ribbed belts. Without the use of this tool, the professional removal and installation of these belts is almost impossible as the belt guide has no tensioning element and, therefore, releasing the tension on the belt is not possible.

Scope of Delivery: KL-0183-70 K Tool Kit for V-Ribbed Belts

Part No.	Description	Qty
KL-0183-701	V-Ribbed Belt Removal Tool	1
KL-0183-702	V-Ribbed Belt Installation Tool	1
KL-0183-7090	Plastic Storage Case	1

Alternative tool:

11 0 330, 0194/3-A, 11 0 331, 0194/3-D, 11 0 332, EN-50098



4 pcs.



KL-0183-71 K

(Code 2838214)

Tool Kit for Elastic V-Ribbed Belts

Applicable to BMW, Ford, Mazda, Volvo etc; e.g. BMW 3 Series E90, X3 E83; Ford Focus 1.4 16V (04-12), Focus C-Max 1.6 16V (2004-12), Fiesta 1.25 16V and 1.4 16V (2002-08), Fusion 1.6 16V (2002-08); Mazda 2 1.2 16V (2002-06), Volvo C30, S40, V50 1.6 16V (2005 onwards); engine codes: BMW: M47, M57; Ford: ASDA*, ASDB*, HWDA*, HWDB*, HXDA*, HXDB*, SHDA*, SHDB*, SHDC*, SIDA*, F8JA, F8JB, FUJA, FUJB, FXJA, FXJB, M7JA, M7JB, SPJA, SPJC, FYJA, FYJB; Mazda: FUJA, FUJB, F8JA, F8JB, FXJA, FXJB, FYJA; Volvo: B4164 S3. (*with double pulley on the crankshaft on which the belt needs to be fitted via the water pump)

This tool set is indispensable for the quick and easy removal and installation of elastic V-ribbed belts. Without the use of this tool, the professional removal and installation of these belts is almost impossible as the belt guide has no tensioning element and, therefore, releasing the tension on the belt is not possible.

Scope of Delivery: KL-0183-71 K Tool Kit for Elastic V-Ribbed Belts

Part No.	Description	Qty
KL-0183-711	Belt Installation Tool, Ford, Volvo	1
KL-0183-712	Belt Guide Tool, Ford, Volvo	1
KL-0183-701	V-Ribbed Belt Removal Tool	1
KL-0183-702	V-Ribbed Belt Installation Tool	1
KL-0183-7190	Plastic Storage Case	1

Alternative tool:

0194/3-A, 11 0 331, 0194/3-D, 11 0 332, EN-50098



2 pcs.



KL-0183-72 K

(Code 3083888)

Tool Set for Auxiliary Stretch Belts

Universally suitable for use on auxiliary stretch belts as found in: BMW 1 Series (E81, E87), 3 Series (E46, E90, E91, E92, E93), 5 Series (E60, E61), 6 Series (E63, E64), 7 Series (E65, E66), X3 (E83), X5 (E53, E70), X6 (E71, E72); Chrysler Voyager III (RG); Citroën C2 (JM_), C3 (FC_, HB_), C4 (LC_, LA_, UA_, UD_), Jumper; Dacia Logan / MCV; Fiat Doblo (119, 223), Ducato (244), Fiorino, Linea, Palio (178BX), Stilo (192), Strada (178E); Ford C-Max, Fiesta V (JH_, JD_), Focus II / C-Max (DA_, DAW_), Fusion (JU_); Mazda 3 (BK12, BK14), 5 (CR19); Peugeot 206 CC (2D), 207 (WA_, WC_, WD_), 307 (3A/C, 3E, 3H), Boxer; Renault Logan (LS_); Škoda Fabia; Volvo C30, S40 II (MS), V50 (MV); VW Polo (9N_).

This tool set is required for the quick and professional removal and installation of auxiliary stretch belts.

Without this tool set, it is virtually impossible to remove and install these stretch belts in a professional way since, here, the accessory belt drive system operates without any belt tensioner and, as a result, releasing the belt tension is not possible.

Scope of Delivery: KL-0183-72 K Tool Set for Auxiliary Stretch Belts

Part No.	Description	Qty
KL-0183-702	Belt Installation Tool	1
KL-0183-7201	Webbing	1
KL-0183-7290	Plastic Storage Case	1

4.7 - Ancillary Components

KL-0284-185 E (Code 3293289)

Alternator Socket Spanner Set,
in Foam Insert

Fits universally with passenger cars and vans, for example Audi, Alfa Romeo, BMW, Citroën, Dacia, Ford, Fiat, Mercedes, Mini, Opel, Peugeot, Porsche, Renault, Seat, Škoda, Toyota, Volvo, VW etc. Fits particularly with alternators by Hella, Bosch, Lucas, Denso, Valeo, Mahle and many others.

Alternative tools: 999-5761, W 602 589 00 10 00, MP-1-309, T10474, T10474-1, U-40084

The alternator socket spanner set enables professional loosening, tightening, and simultaneous counter-holding of the freewheeling pulley on the alternator. Required because freewheeling alternators cannot be held against with the belt pulley from the outside for release.

The special screwdriver inserts and union nuts can be combined with each other as desired. This offers a universally suitable range for a large number of alternators.

Recommended Accessories:

- 1993 U-20 Reversible Ratchet 1/2",
- 19 20 Socket

Storage System:

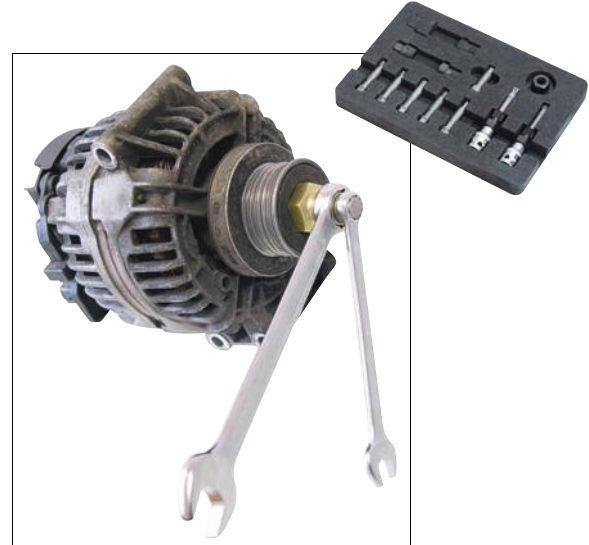
KL-4990-9272 Plastic Case

Scope of Delivery:

KL-0284-185 E Alternator Socket Spanner Set, in Foam Insert

Part No.	Description	Qty
KL-0284-40	Combination spanner (TX50 / 31 teeth - 14mm dia.)	1
KL-0284-41	Combination spanner (XZN10 / 31 teeth - 14mm dia.)	1
KL-0284-1902	Union nut (33 teeth - 19.5mm dia.)	1
KL-0284-4202	Union nut (32 teeth - 17mm dia.)	1
KL-0284-3901	Union nut (Inner hexagon 17mm)	1
KL-0284-2702	Union nut (Inner hexagon 28mm)	1
KL-0284-3902	Union nut (3 journals)	1
KL-0284-2801	Screwdriver insert (XZN10)	1
KL-0284-2901	Screwdriver insert (TX50)	1
KL-0284-2601	Screwdriver insert (Outer hexagon 10mm)	1
KL-0284-2811	Screwdriver insert (Inner hexagon 6mm)	1
KL-0284-2821	Screwdriver insert (Inner hexagon 8mm)	1
KL-0284-2831	Screwdriver insert (Inner hexagon 10mm)	1
KL-0284-1859	Foam insert	1

13 pcs.



Technical Data:

Drive (screwdriver bits*):	Size 12mm
* (only with KL-0284-2601):	Size 10mm
Drive (union nuts):	Size 21mm
Drive (combination spanner):	1/2"

KL-0183-2 (Code 2409577)

Wrench Set

Universal application

Consists of:

KL-0183-20 Special Socket Wrench with Socket Set

Indispensable tools when removing and replacing V-belts and timing belts that are tensioned via an automatic tensioner pulley.

The socket wrench set **KL-0183-20** enables the spring-loaded tensioner pulley to be tensioned and, as a result, the tension on the V-belt or the timing belt to be released. This tool can be used for hard-to-access areas where ratchets and spanners will not reach. Suitable for tensioner pulleys with 13mm, 15mm, 16mm, 18mm hex, and both 3/8" and 1/2" square drive sizes.

KL-0183-21 - Belt Mounting Tool

This tool allows for the easy and trouble-free positioning of a V-ribbed belt on the pulleys. Specially designed for use in confined spaces.

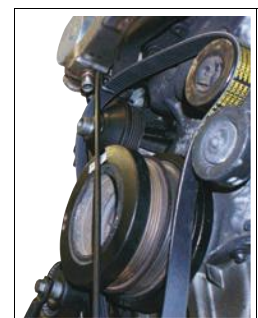
Scope of Delivery: KL-0183-2 Wrench Set

Part No.	Description	Qty
KL-0183-21	Belt Mounting Tool	1
KL-0183-20	Special Socket Wrench with Socket Set	1
• KL-0183-2001	Wrench, 580mm long, with 3/8" drive	1
• KL-0183-2002	Extension, 230mm long mit 3/8" drive	1
• KL-0183-2013	Socket with Hexagon, waf 13mm	1
• KL-0183-2015	Socket with Hexagon, waf 15mm	1
• KL-0183-2016	Socket with Hexagon, waf 16mm	1
• KL-0183-2018	Socket with Hexagon, waf 18mm	1
• KL-0183-2003	Adaptor 3/8" to 1/2"	1

8 pcs.



3/8"
1/2"





KL-0284-92

[Code 2669161]

Tension Pulley Spanner, Size (waf) 16mm

Universal application.

Particularly useful on VW-Audi 1.9 and 2.0 TDI engines.

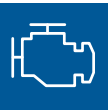
(Engine codes: ASZ, ATD, AXA, AXR, BLS, BLT, BMT, BPX, BUK, BXJ)

Alternative tool: T10241, T20126

This tool is designed to pre-tension the auxiliary belt tensioner when the removal and installation of the belt is to be performed in situ on the vehicle. THE ideal spanner for use in areas where space is at a premium.

Technical Data:

Size (waf):	16mm
Length:	295mm



KL-0366-7

[Code 1755382]

Reaction Wrench

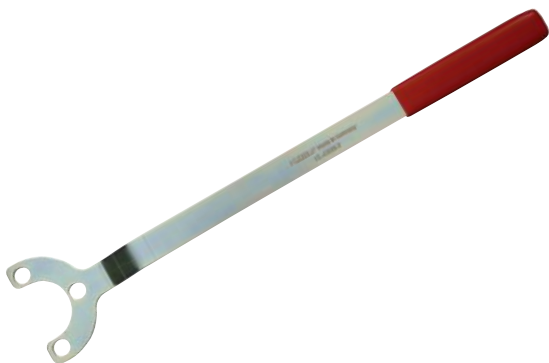
Suitable for use on Mercedes petrol and Diesel engines as found in Mercedes Vito / Viano (W639), Sprinter (W906, W907), C- and E-Class with engine codes: M111.979, M112, M113, M119.985, M271.951, M272.979, OM604, OM605, OM606, OM642.

Alternative tools: W 611 589 00 40 00, W 113 589 00 40 00, W 906 589 00 40 00

With 3 bore holes. In order remove the cooling fan hub, the reaction wrench is bolted to the front face of the hub. The V-ribbed belt is not in place during this operation.

Technical Data:

Length:	410mm
---------	-------



KL-0366-17

[Code 3245861]

Belt Tensioner Tool, Poly-V Belt

Applicable to Mercedes 1.5, 1.7 and 2.0-litre petrol engines with Stop-Start function.

Fitted to: Mercedes A-Class (W169) and B-Class (W245) etc.

Engine Codes: M 266.920 / .940 / .960 / .980

Alternative tool: W 266 589 00 31 00

For clamping/compressing/releasing the damper/hydraulic poly-V belt tensioner professionally. Indispensable tool when removing/installing the belt tensioner or when replacing the poly-V belt for example.

Using inappropriate tools risks damaging the very expensive damper and tensioner pulley as well as causing serious injuries due to parts becoming projectiles.

Important Note:

It is essential to tighten the bolt on the tool very slowly (**the tightening must take at least 20 seconds per turn**) until the damper spring is fully compressed. Failing to do so will result in damage to the damper/tensioner pulley.

Technical Data:

Length:	185mm
Drive:	10mm (hex socket)



4.8 - Oil System

KL-0122-191 (Code 2967413)
Oil Filter Socket (universal), Ø 60-80mm

Universally suitable for use on oil filters with Ø of 60-80mm as found in passenger cars.

Allows the user to loosen oil filters quickly and safely. Retaining jaws grip the filter without any risk of slipping. The ideal tool when space is at a premium.

Recommended Accessory:

1993 U-20 Reversible Ratchet 1/2"

Technical Data:

Clamping range:	Ø 60-80mm
Drive (square):	1/2" or 21mm waf



KL-0122-192 (Code 2967421)
Oil Filter Socket (universal), Ø 80-110mm

Universally suitable for use on oil filters with Ø of 80-110mm as found in passenger cars.

The socket allows you to loosen oil filters quickly and safely. Retaining jaws grip the filter without any risk of slipping. The ideal tool when space is at a premium.

Recommended Accessory:

1993 U-20 Reversible Ratchet, 1/2"

Technical Data:

Clamping range:	Ø 80-110mm
Drive (square):	1/2" or 22mm waf



KL-0122-193 (Code 2967448)
Oil Filter Socket (universal), Ø 110-145mm

Universally suitable for use on oil filters and air dryer cartridges with Ø of 110-145mm as found in HGVs.

The socket allows you to loosen oil filters and air dryer cartridges quickly and safely. The special design of the tool and of the retaining jaws ensures that even very tight-fitting/stuck oil filters and air dryer cartridges can be removed without risk of slipping. The ideal tool when space is at a premium.

Recommended Accessory:

1993 U-20 Reversible Ratchet, 1/2"

Technical Data:

Clamping range:	Ø 110-145mm
Retaining depth:	65mm
Drive (square):	1/2" or 24mm waf



KL-0122-426 (Code 1794892)
Oil Filter Socket, Size 86mm waf,
16 flats (reinforced design)

Applicable to Volvo and BMW engines; as fitted to: Volvo S40 + V40 (2013-), S60 + V60 (2011-), XC60 (2008-), S70 + V70 + XC70 (2008-), S80 (2007-); BMW 320i (E90), 520i (E60)

Alternative tool: 11 9 240, 999-5679 C

This oil filter socket is needed to remove/install the oil filter cover when replacing the oil filter cartridge. Suitable for use on oil filters with size 86mm waf and 16 flats.

Recommended Accessory: 3093 U-20 Reversible Ratchet, 3/8"

Technical Data:

Drive:	3/8"
--------	------





Technical Data:

Size:	Ø 76mm
Ribs:	12
Drive:	3/8"



KL-0122-319

(Code 1752812)

Oil Filter Key Ø 76mm 12 Ribs

Suitable for Dacia Logan, Sandero; Fiat Ducato, Scudo, Ulysee; Ford Galaxy (2.0 diesel), Mondeo (2.0 TDCi); Mercedes (all with Purflux filter LS 918); Renault Megane, Laguna Espace III, Trafic (1.9 diesel), Master (1.9 diesel); Peugeot 307; Honda Prelude (BA4 2.0 16V engine); Opel Vivaro etc.

Alternative tool: W 103 589 03 09 00

Intended for use on oil filters with Ø 76mm and 12 ribs.

Recommended Accessory:

3093 U-20 Reversible Ratchet, 3/8"



Technical Data:

Size:	74mm
Flats:	14
Drive:	3/8"



KL-0122-301

(Code 1752731)

Oil Filter Socket, Size (waf) 74mm, 14 flats

Applications: Audi, e.g. A1, A3 (TDI); BMW 3 Series (E36 with 4-cyl. engine); Citroën; Fiat; Ford; Lancia; Mazda; Mercedes, e.g. CDI engines, C- and E-Class (with 4- or 6-cyl. petrol engine); Mitsubishi; Nissan; Opel/Vauxhall; Peugeot; Porsche; Renault; Toyota; VW, e.g. Golf (IV TDI), up!, Scirocco III, Touran 1T1/1T2, etc.

Alternative tool: 11 7 330, 3417, T20050

For oil filters with size 74mm (waf) and 14 flats.

Recommended Accessory:

3093 U-20 Reversible Ratchet, 3/8"



Technical Data:

Size:	Ø 76mm
Profile:	12 Ribs
Drive:	3/8" / 27mm (waf)



KL-0122-219 B

(Code 3097633)

Oil Filter Socket, Aluminium, Ø 76mm, Plastic-coated, 12 Ribs

Suitable for use on oil filters with 76mm Ø and 12 ribs. Applications: VW-Audi, Mercedes, Seat, Škoda, Citroën, Peugeot, Renault, Ford, Nissan, Dacia und Suzuki etc. (e.g. Filter: Purflux LS 918, MANN W716/1) The ideal tool for Renault, Nissan, Dacia and Suzuki vehicles equipped with a K9K-engine as well as for Mercedes M102 and M103 6-cylinder petrol engines.

Thanks to the particularly compact design of the oil filter socket, oil filters on Mercedes M102 and M103 engines can be replaced without the need for removing the induction pipe. The problem with K9K engines is that the alternator is located very close to the oil filter. Thus, there is a risk of causing a short circuit with the alternator charging cable when using a conventional oil filter tool. The KL-0122-219 B oil filter socket was specifically developed for this type of engines. The socket features a non-conductive surface coating designed to prevent accidental short circuits and, as a result, to allow the oil filter to be loosened and tightened safely.

Recommended Accessory: 3093 U-20 Reversible Ratchet, 3/8"



KL-0122-609

(Code 2027429)

Oil Filter Socket, Size (waf) 84mm, 14 Flats

Suitable for use on oil filters and/or oil filter housings with 14 flats and size (waf) 84mm, e.g. in Mercedes OM 642 CDI engines as fitted to: C-Class (320), CLS (320), E-Class (280, 320), S-Class (320), ML (280, 320), etc.

Intended for use on oil filters with size (waf) 84mm with 14 flats.

This oil filter socket is intended for the removal and installation of the oil filter cover when replacing the oil filter cartridge.

Recommended Accessory: 3093 U-20 Reversible Ratchet, 3/8"

Technical Data:

Size:	84mm
Flats:	14
Drive:	3/8"

4.8 - Oil System

KL-0122-57 (Code 3245837)
Oil Filter Socket, Size (waf) 74.5mm

Applicable to Ford 1.5 and 1.6 EcoBoost petrol engines. Fitted to: Ford C-MAX II, Focus III, Galaxy III, Kuga II, Mondeo IV, Mondeo V, S-MAX II, Transit Connect II etc.

A special feature of this oil filter socket is its lateral drive allowing you to loosen and tighten hard-to-reach cartridge-style oil filters quickly and professionally. Due to the limited space available in front of the cartridge oil filter, the loosening and tightening with the aid of conventional oil filter tools can be quite difficult, sometimes even impossible.

Recommended Accessory: 3093 U-20 Reversible Ratchet, 3/8"

Technical Data:

Size:	74.5mm
Flats:	15
Drive:	3/8"



KL-0122-53 (Code 2486059)
Filter Socket, Size (waf) 46mm

Suitable for Mercedes BlueTec® HGV engines. For example: Actros, Atego, Axor, Econic.

This filter socket is designed to remove and install the filter cap. Indispensable tool when replacing the AdBlue®-Filter Cartridge.

Recommended Accessories: 3093 U-20 Reversible Ratchet 3/8"

Technical Data:

Size (waf):	46mm
Drive:	3/8"

BlueTec® = registered trademark of Daimler AG

AdBlue® = registered trademark of Verband der Automobilindustrie e.V (VDA)



KL-0122-59 A (Code 2955946)
Oil Filter Socket Wrench,
Size (waf) 27mm, PSA/Ford

Suitable for use on the following TwinCam (DOHC) Diesel engines: PSA and Ford 2.0 Hdi and Duratorq TDCi (DW10C), as well as PSA, Ford and Jaguar 2.2 Hdi and Duratorq TDCi (DW12C). For example, fitted to Peugeot 308, 3008, 5008, 407, 407 Coupé, 508, RCZ; Citroën C4 Picasso, C5, C5 Mk2, C8, DS4, DS5; Ford Mondeo Mk3, C-Max, Galaxy Mk2, Galaxy Mk3, S-Max, Kuga and Jaguar XF 2.20 Sportbrake.

This oil filter wrench is designed for the removal and installation of oil filter covers that are difficult to access. An indispensable tool when replacing the oil filter cartridge.

Recommended Accessory: 3093 U-20 Reversible Ratchet, 3/8"

Technical Data:

Size:	27mm
Drive (square):	3/8"
Length:	234mm



KL-0288-30 (Code 2929899)
Bit Socket for Oil Drain Plug, VW-Audi

Suitable for use on the VW-Audi 1.2, 1.4, 1.8 and 2.0 TFSi, as well as the 1.6 and 2.0 TDI engines equipped with a plastic oil drain plug (M14x1.5x22mm) with special profile. Engines installed, for example, in Audi A1, A3, A4, A5, Q5 and VW Golf VII etc.

Alternative tool: T10549

Designed for the professional loosening/tightening of plastic oil drain plugs with special profile as found on oil sumps made of plastic. Necessary, for example, when changing the oil etc.

Technical Data:

Size waf (drive):	10mm
Overall length:	35mm





KL-0132-84

(Code 2281252)

Lambda Sensor Socket, 22mm (waf), hex

Applicable to Ford Fiesta VI (models from 07/2008 onwards) 1.25 Zetec S DOHC EFI; 1.4 Zetec DOHC EFI and 1.6 Zetec DOHC EFI engines.

Alternative tool: EN-46577, KM-6129, KM-6179

This tool is required for the quick and trouble-free removal and installation of Lambda sensors. Due to its special design, this socket is particularly suitable for Lambda sensors having a very deep-seated hexagon or fitted with a heat shield.

Recommended Accessory: 1993 U-20 Reversible Ratchet 1/2"

Technical Data:

Size (waf):	22mm
Drive:	1/2"
Length:	110mm



KL-0132-83

(Code 2396076)

Lambda Sensor Socket, hex, 22mm waf, 70mm long

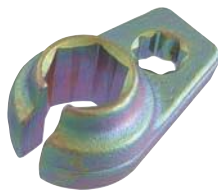
Universally suitable for use on Lambda sensors having a waf size of 22mm.

Essential tool for the professional removal and installation of Lambda sensors. The socket is specially cut out to allow the Lambda sensor cable to pass through without any risk of damage when removing/installing the Lambda sensor.

Recommended Accessory: 1993 U-20 Reversible Ratchet 1/2"

Technical Data:

Size:	22mm waf, hex
Drive:	1/2"
Length:	70mm



KL-0132-6

(Code 1753223)

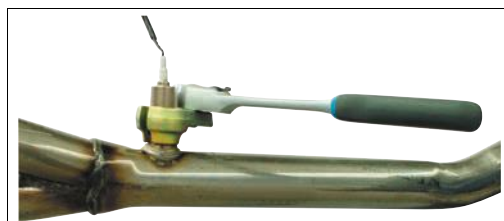
Angle Socket Wrench, 22mm waf

Applications: VW-Audi, BMW, Mercedes, Ford, Opel/Vauxhall, Peugeot, Citroën, Renault, Seat, Škoda, Japanese cars, etc.

Alternative tool: J-39194-C

Facilitates the removal and installation of hard-to-reach Lambda sensors. Sturdy, forged design.

Recommended Accessory: 1993 U-20 Reversible Ratchet 1/2"



Technical Data:

Size (waf):	22mm
Drive:	1/2", axially displaced
Length:	110mm



KL-0132-82 A

(Code 2480778)

Lambda Sensor Tool, Size (waf) 22mm

Universally suitable of hex and bi-hex Lambda sensors with waf size of 22mm.

This tool is designed for the quick and easy removal and replacement of Lambda sensors that are hard to access, e.g. when the Lambda sensor is located directly in front of the splashboard.

The pivot head features a hexagonal socket on one side and a bihexagonal socket on the other side.

Technical Data:

Size (hexagonal / bihexagonal):	22mm waf
Length:	280mm
Weight:	480g

4.9 - Exhaust System

KL-0130-3 (Code 3254437)
Exhaust Hanger Removal Pliers

Universally suitable.

Particularly sturdy design. Allows for the quick, easy and damage-free separation of exhaust brackets from rubber hangers. Even very stiff or tight rubber hanger supports are no longer an issue.

Thanks to this tool, struggling with screwdrivers or assembly levers has now become a thing of the past.

Hand injuries as well as damage to the vehicle caused by improper removal methods can be prevented by using our **KL-0130-3** removal pliers.



Technical Data:

Length:	300mm
---------	-------

KL-0194-51 (Code 3137236)
Star Lock Washer Removal/Installation Tool

Suitable for use on star lock washers with diameter not greater than 32mm; as found in vehicles from: VW-Audi, SEAT, ŠKODA, BMW, Mercedes-Benz, Ford, Opel/Vauxhall, Fiat, Subaru, Suzuki, Toyota, Volvo, Peugeot, Citroën, Renault, Saab, Mitsubishi, Nissan, Honda, Hyundai, Daewoo, Jeep, Lexus, Mazda, Chevrolet, Chrysler.

The star lock washer tool allows for the quick and damage-free removal and installation of locking star washers. A very useful tool when dismantling/assembling underbody panelling and exhaust heat shields.

Technical Data:

Drive:	1/4" (hexagonal)
For star lock washers with max. Ø of:	32mm
Length:	64mm



KL-0131-51 (Code 1753118)
Chain Pipe Cutter

Universal application.

Alternative tool: VAS 6254

This tool is used to cut exhaust pipes having a wall thickness of up to 2.5mm and a Ø of 70mm. Also suitable for stainless steel pipes.

Thanks to the special design of the tool, only a minimum expenditure of force is required throughout the whole cutting operation.

The wing screw allows for the necessary adjustment while cutting.

Note: By attaching a second chain, the cutter can be used on pipes with larger diameters.



Technical Data:

Length:	250 mm
---------	--------

KL-0131-5101 (Code 1753126)
Spare Chain

Technical Data:

Length:	270mm
---------	-------



224021 (Code 1600885)
Ratchet Pipe Cutter niro

Body in zinc-plated pressure-cast aluminium, for pipes 35 - 66mm Ø, cutting wheel made from high-alloy stainless steel, especially for cutting stainless steel pipes with high service life. Easy handling via ratchet feed with automatic infeed of the cutting wheel with every rotation, even in confined spaces.

Technical Data:

Length:	275mm
Weight:	580g



224211 (Code 1621440)
Replacement Cutting Wheel



HIGH-QUALITY SPECIALIST TOOLS

Durable, safe and innovative.

KIS

KLANN Information System

The GEDORE/KLANN Information System „KIS“

That is why you have the GEDORE/KLANN Information System “KIS” at [“www.gedore-automotive.com”](http://www.gedore-automotive.com). Here you can convert the OE tool numbers to our article numbers. This enables the workshop to quickly and easily determine which GEDORE/KLANN special tools are required for professional and problem-free repair work. The “KIS” is constantly being expanded to include new areas with the a view to the future.

You also have convenient access to our “KIS” with your mobile phone. This allows you to convert OE tool numbers to our article numbers at any time and wherever you are.

KIS goes mobile ...

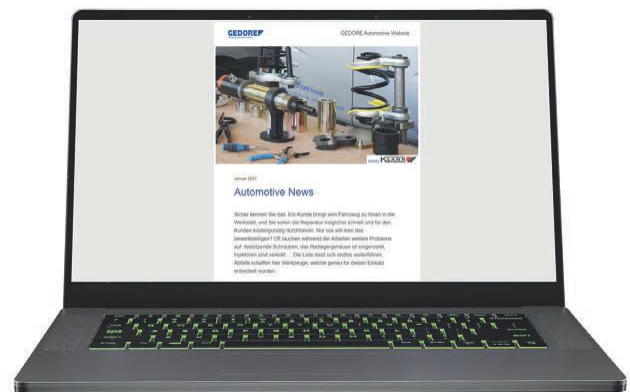


GEDORE Automotive Newsletter

Always up to date.

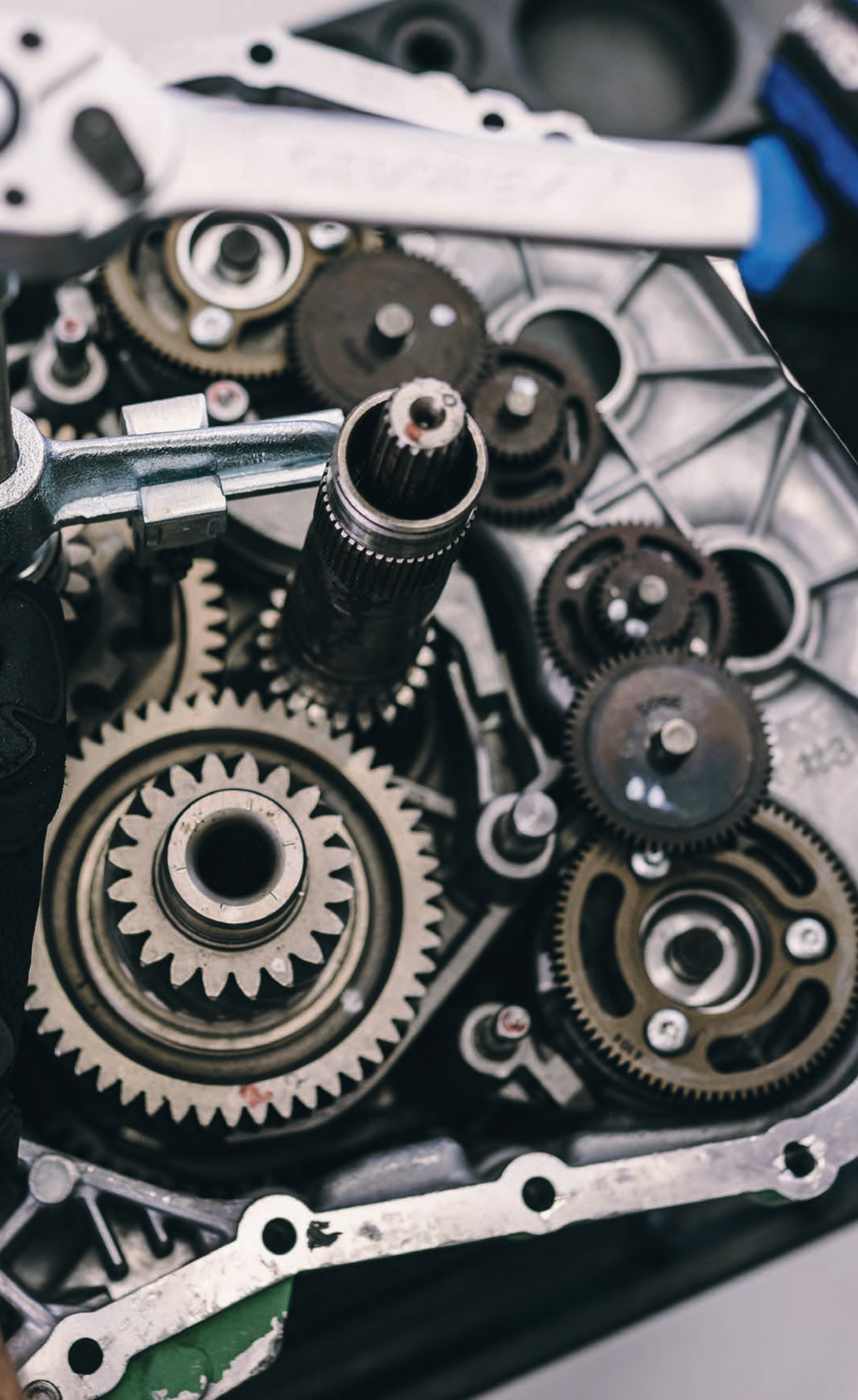
With the Gedore Automotive Newsletter you will receive information on new products, brochures, catalogues and much more.

So register now at: www.gedore-automotive.com



Visit us on:





5. Clutch and Gearbox Repairs





39 pcs.



KL-0500-45 KA (Code 2288508) (Patented) Clutch Tool Set (SAC), in a Plastic Storage Case

Fits universally for almost all SAC couplings with 3- and 4-hole pitch available on the market. For example, installed at VW-Audi, BMW, Mercedes, Volvo, Opel, Renault, etc.

Alternative tool: 1.871.003.100, LuK 400 0237 10

This SAC clutch tool kit is absolutely necessary for professional and damage-free removal and installation of SAC clutches (Self-Adjusting Clutch), and it also enables resetting of the SAC adjusting ring in the clutch pressure plate.

Damage-free removal and installation is almost impossible without a SAC clutch tool, as the coupling can be strained or damaged in the process. This inevitably leads to a malfunction or defect of the clutch, and it must be replaced.

The clutch centring tool included in the scope of delivery enables centring of clutch discs with a hub diameter of 15-28mm and a guide bearing or crankshaft hole diameter of 12-28mm. Vehicles without guide bearings in the crankshaft are also not a problem.

The two clamping / centring elements ensure precise centring in the clutch disc on the first clamping element, and precise entering in the guide bearing or crankshaft hole on the second clamping element. Even clutches with crankshaft hole diameter exceeding the clutch hub diameter can be centred cleanly and precisely.

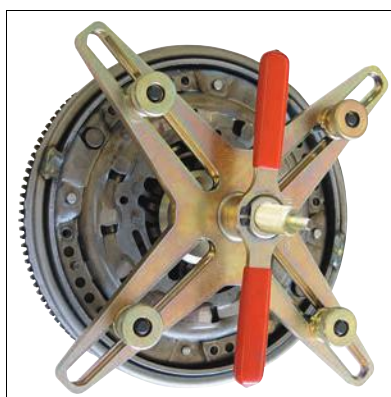
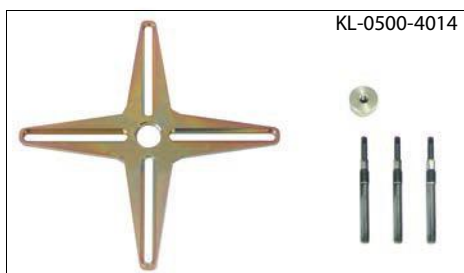
Advantages:

- Professional and damage-free disassembly and assembly of the coupling!
- Precise centring of the clutch disc on vehicles without pilot bearings!
- Centring of the clutch disc towards the pilot bearing or towards the pressure plate is possible!
- The clutch centring tool included in the scope of delivery enables centring of clutch discs with a hub diameter of 15-28mm and a guide bearing or crankshaft hole diameter of 12-28mm.
- Resetting the adjusting ring is possible with the special reset tool!

Scope of Delivery:

KL-0500-45 KA Clutch Tool Set (SAC), in a Plastic Storage Case

Part No.	Description	Qty
KL-0500-401	Clutch-Pretensioning Tool (3-hole pitch)	1
• KL-0500-401-1	Clutch-Pretensioning Tool (Base Tool)	1
• KL-0500-4006	Knurled Nut	3
• KL-0500-4007	Threaded Bolt, M6	3
• KL-0500-4008	Threaded Bolt, M7	3
• KL-0500-4009	Threaded Bolt, M8	3
KL-0500-403	Reset Tool	1
KL-0500-404	Set of Clutch-Centring Pins (3-pc)	1
• KL-0500-11	Clutch-Centring Pin, Ø 23mm	1
• KL-0500-12	Clutch-Centring Pin, Ø 28mm	1
• KL-0500-21	Clutch-Centring Pin, Ø 32.5mm	1
KL-0500-405	Clutch Aligner	1
• KL-0500-4050	Guide Tube (complete)	1
• KL-0500-4057-1	Centring Pin, Ø 12mm	1
• KL-0500-4057-2	Centring Pin, Ø 14mm	1
• KL-0500-4057-3	Centring Pin, Ø 15mm	1
• KL-0069-0006	Clamping Cone, Size 2, 22mm	1
• KL-0500-4055	Cone Adaptor	1
• KL-0500-4054	Set of Clamping Elements, Ø 20mm	1
• KL-0500-4056-2	Sliding Cone, Ø 15mm, 40mm long	1
• KL-0500-4056-3	Sliding Cone, Ø 15mm, 67mm long	1
• KL-0500-4056-4	Sliding Cone, Ø 15mm, 75mm long	1
• KL-0500-4056-6	Sliding Cone, Ø 18mm, 75mm long	1
• KL-0500-4056-5	Sliding Cone, Ø 18mm, 67mm long	1
KL-0500-4014	Upgrade Kit (4-hole pitch)	1
• KL-0500-4006	Knurled Nut	1
• KL-0500-4006 A	Knurled Nut	1
• KL-0500-4007	Threaded Bolt, M6	1
• KL-0500-4008	Threaded Bolt, M7	1
• KL-0500-4009	Threaded Bolt, M8	1
• KL-0500-4011	Base Plate, with 4-hole pitch	1
KL-0500-4590	Plastic Storage Case	1



KL-0500-405 (Code 2102781) (Patented) Clutch Aligner

Suitable for Self-Adjusting Clutches (SAC).
Essential tool for vehicles without a pilot bearing in the crankshaft.
Alternative tool: LuK 400 0050 10, LuK 400 0107 10

The newly developed clutch aligner **KL-0500-405** enables clutch discs to be centred also on vehicles that do not feature a pilot bearing in the crankshaft. The two clamping-/centring elements ensure, on the first clamping element (Ø 15-28mm) the accurate centring in the clutch disc, and on the second element (Ø 12-28mm) the accurate centring in the pilot bearing, respectively the crankshaft bore. Even clutches on engines where the crankshaft bore Ø is greater than the clutch disc hub Ø can be aligned neatly and accurately thanks to this tool.

Scope of Delivery: KL-0500-405 Clutch Aligner

Part No.	Description	Qty
KL-0500-4050	Guide Tube (complete)	1
KL-0500-4057-1	Centring Pin, Ø 12mm	1
KL-0500-4057-2	Centring Pin, Ø 14mm	1
KL-0500-4057-3	Centring Pin, Ø 15mm	1
KL-0069-0006	Clamping Cone, Size 2, 22mm	1
KL-0500-4055	Cone Adaptor	1
KL-0500-4054	Set of Clamping Elements, Ø 20mm	1
KL-0500-4056-2	Sliding Cone, Ø 15mm, 40mm long	1
KL-0500-4056-3	Sliding Cone, Ø 15mm, 67mm long	1
KL-0500-4056-4	Sliding Cone, Ø 15mm, 75mm long	1
KL-0500-4056-6	Sliding Cone, Ø 18mm, 75mm long	1
KL-0500-4056-5	Sliding Cone, Ø 18mm, 67mm long	1

15 pcs.



KL-0500-4012 (Code 3270556) Supplementary kit of threaded bolts M9 (3 pieces)

Fits universally with SAC clutches with a M9x1,25 screw connection, e.g. for BMW MINI One, One D, Cooper, Cooper S, Works, John Cooper Works (R50, R52, R53), etc.
This supplementary kit enables the assembly of the clutch pretensioner **KL-0500-401** on SAC clutches with a M9x1.25 screw connection.

Necessary Accessories: KL-0500-45 KA Clutch Tool Set (SAC)

3 pcs.



Technical Data:

Thread:	M9x1,25mm
Length:	110mm
Weight:	200g

KL-0500-15 (Code 2440512) Clutch-Centring Pin, Ø 26.5mm, BMW/Audi

Applicable to BMW and Audi. Alternative tool: LuK 400 0110 10, 22 2 201

Designed to align the clutch disc before the re-installation of a pretensioned self-adjusting clutch (SAC). Can also be used to align new and already pretensioned SACs.

Recommended Accessory: KL-0500-45 KA Clutch Tool Set (SAC)



Alternative tool:

LuK 400 0110 10, 22 2 201

KL-0500-20 (Code 2440784) Clutch-Centring Pin, Ø 26.5mm

Applicable to BMW E36, E39, E46, E87 with a 55D-250G transmission.

This tool is used for centring the clutch disc before the re-installation of a pretensioned self-adjusting clutch (SAC). Can also be used to align new and already pretensioned SACs.

Recommended Accessory: KL-0500-45 KA Clutch Tool Set (SAC)



Alternative tool: 21 2 250

KL-0500-23 (Code 2669803) Clutch-Centring Pin, Ø 32.5mm

Suitable for the BMW vehicles equipped with a G56-53DG gearbox and S65 (V8) or S85 (V10) engine: E92 (M3), E60 (M5) and E63 (M6).

This tool is used for centring the clutch disc before installing or re-installing a self-adjusting clutch (SAC).

Recommended Accessory: KL-0500-45 KA Clutch Tool Set (SAC)



Alternative tool: 21 2 280



KL-0500-22

(Code 2440822)

Clutch-Centring Sleeve, Ø 32.5mm, BMW

Suitable for BMW vehicles with a N54B30 engine, e.g. E90/E91/E92/E93 (335i)

Alternative tool: 21 2 270

This tool is used for centring the clutch disc before installing or re-installing a self-adjusting clutch (SAC).

Recommended Accessory: KL-0500-45 KA Clutch Tool Set (SAC)

Technical Data:

Inner Ø:	15mm
Outer Ø:	32.5mm

Scope of Delivery:

KL-0500-22 Clutch Centring Sleeve Ø 32.5mm

Part No.	Description	Qty
KL-0015-0010 A	Hex screw M5x45mm	1
KL-0500-2201	Centring sleeve	1



21 pcs.



KL-0500-80 K

(Code 3030881) (Patented)

Base Tool Kit for Double Clutch

In conjunction with the respective vehicle-specific upgrade kits, universally applicable to VW-Audi, Seat, Škoda, Renault and Ford passenger cars with dry double clutch systems. For example: VW-Audi 1st generation transmissions 0AM (until 5/2011), 2nd generation transmissions 0AM (from 6/2011 onwards); Renault DC4 and Ford DPS6 etc.

Alternative tool: LuK 400 0418 10

Having always the right specialist tool at hand is essential for carrying out professional repairs to double clutch systems and to avoid costly damage in the first place.

Used in conjunction with the respective vehicle-specific upgrade kit, the **KL-0500-80 K** base toolkit for double clutches allows for professional repairs to all LuK* Double Clutch Systems (dry double clutches) that are currently available on the market.

The forward-looking modular concept allows for continuous enhancement of the **KL-0500-80 K** base tool kit for double clutches with vehicle-specific upgrade kits, thus making it applicable also to future double clutch systems.

*LuK, a member of the Schaeffler Group, is an internationally renowned supplier of clutch- and transmission systems, torque converters and dampers to the Automobile Industry and Aftermarket.

Necessary Accessories:

KL-0500-81 K Upgrade Tool Kit for Double Clutch, VW or
LuK 400 0423 10 Upgrade Tool Kit for Double Clutch, Renault or
LuK 400 0427 10 Upgrade Tool Kit for Double Clutch, Ford

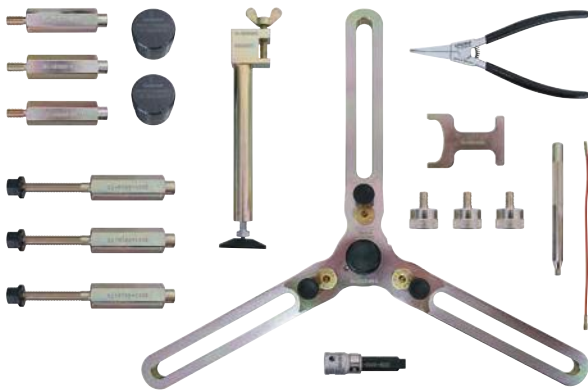
Recommended Accessory:

KL-0500-71 K Reset Tool Kit for Double Clutch

Scope of Delivery:

KL-0500-80 K Base Tool Kit for Double Clutch

Part No.	Description	Qty
KL-0126-221	Flexible Magnetic Lifter	1
KL-0192-12	Circlip Pliers (angled)	1
KL-0350-0009	Hex Shoulder Nut, M10	3
KL-0500-601 A	Base Tool	1
KL-0500-6020	Thumb Screw	3
KL-0500-6021	Threaded Bolt, M10, 100mm long	3
KL-0500-6022	Threaded Bolt, M10, 160mm long	3
KL-0500-8010	Special Open-End Wrench, 47mm waf	1
KL-0500-8011	Unlocking Key	1
KL-0500-8012	Plug for Drive Shaft Holes	2
KL-0500-802	Transmission Support with Height Adjustment Mechanism	1
KL-0500-803	DMF Reset Tool	1
KL-0500-80/80 B	USB-Stick	1
KL-0500-8090 A	Plastic Storage Case	1



KL-0500-81 K (Code 3030954) (Patented) Upgrade Tool Kit for Double Clutch, VW

Applicable to VW-Audi, Seat and Škoda vehicles with dry double clutch systems. For example: 1st generation DSG transmissions 0AM (until 5/2011) and 2nd generation DSG transmissions 0AM (from 6/2011 onwards).

Alternative tool: LuK 400 0419 10

The **KL-0500-81 K** upgrade tool kit for double clutch is designed to be used in conjunction with the **KL-0500-80 K** (LuK 400 0418 10) base toolkit, thus allowing for the professional dismantling, assembly and adjustment of dry double clutch systems found on VW-Audi, Seat and Škoda vehicles.

Necessary Accessories:

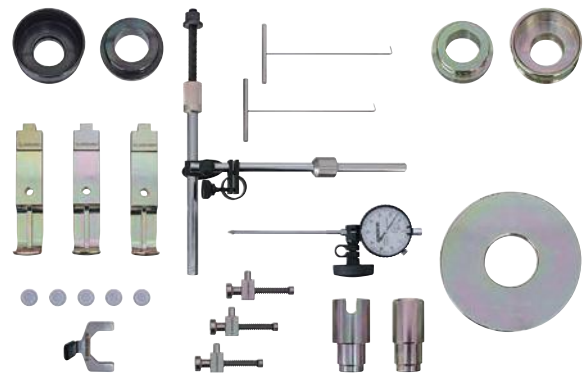
KL-0500-81 K Base Tool Kit for Double Clutch

Scope of Delivery:

KL-0500-81 K Upgrade Tool Kit for Double Clutch, VW

Part No.	Description	Qty
KL-0500-6030	Support Sleeve for Disassembly	1
KL-0500-6031	Pressure Sleeve for Assembly	1
KL-0500-6032	Reference Gauge, 32.92mm	1
KL-0500-6033	Reference Gauge, 48.63mm	1
KL-0500-6034	Weight, 3.5kg	1
KL-0500-6035	Setting Gauge for Spacer Sleeves	1
KL-0500-6041	Hook	3
KL-0500-6042	Spring-Loaded Clamp for VW	3
KL-0500-6051	Pulling Hook	2
KL-0500-606	Dial Gauge with Stand	1
KL-0500-6071	Plug, Ø 12mm	5
KL-0500-6081	Reference Gauge, 48.42mm	1
KL-0500-6082	Reference Gauge, 32.12mm	1
KL-0500-80/80 B	USB stick	1
KL-0500-8190	Plastic Storage Case	1

23 pcs.



KL-0500-83 K (Code 3030997) (Patented) Upgrade Tool Kit for Double Clutch, Ford

Applicable to Ford vehicles with dry double clutch systems, e.g. with DPS6 transmissions.

Alternative tool: LuK 400 0427 10

The **KL-0500-83 K** upgrade tool kit for double clutch is designed to be used in conjunction with the **KL-0500-80 K** (LuK 400 0418 10) base tool kit, thus allowing for the professional dismantling, assembly and adjustment of dry double clutch systems found on Ford vehicles.

Necessary Accessories:

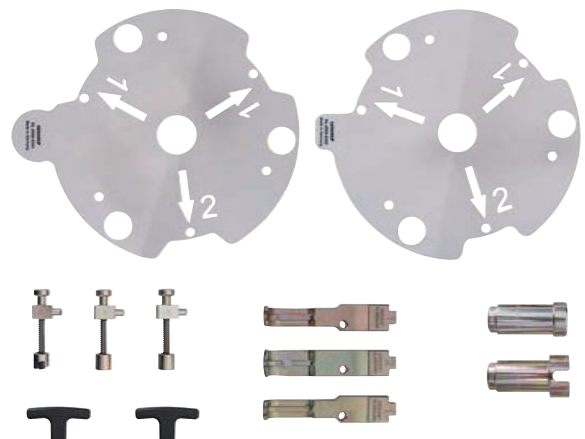
KL-0500-81 K Base Tool Kit for Double Clutch

Scope of Delivery:

KL-0500-83 K Upgrade Tool Kit for Double Clutch, Ford

	Description	Qty
KL-0500-8211	Pressure Sleeve, assembly	1
KL-0500-8212	Support Sleeve, disassembly	1
KL-0500-831	Set of Hooks with Clamp	1
KL-0500-8340	T-Handle	2
KL-0500-8341	Setting Plate, Clutch, Ford 1.6 litre	1
KL-0500-8342	Setting Plate, Clutch, Ford 2.0 litre	1
KL-0500-80/80 B	USB stick	1
KL-0500-8390	Plastic Storage Case	1

12 pcs.





16 pcs.



KL-0500-71 K

(Code 3031101)

Reset Tool Kit for Double Clutch

Applicable to Renault and Ford passenger cars equipped with a 6-speed double clutch DC4 transmission (Renault) and DPS6 transmission (Ford) respectively.

Alternative tool: LuK 400 0425 10

For professional resetting of the transport lock on the double clutch. Required if the double clutch is to be reused after removal.

Note: A new double clutch is usually equipped with a transport lock. Resetting is therefore not necessary.

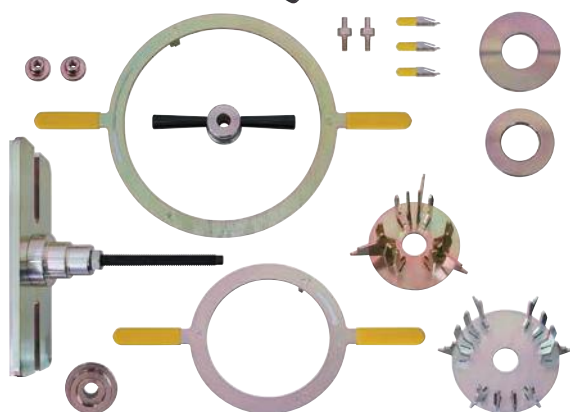
Necessary Accessories:

KL-0500-81 K Base Tool Kit for Double Clutch

Scope of Delivery:

KL-0500-71 K (LuK 400 0425 10) Reset Tool Kit for Double Clutch

Part No.	Description	Qty
KL-0500-7110	Thrust Ring, Ø 85mm	1
KL-0500-7111	Thrust Ring, Ø 10mm	1
KL-0500-712	Set of Clamps	1
KL-0500-713	Retaining Adaptor with Handle	1
KL-0500-714	K2 Reset Tool	1
KL-0500-715	K1 Reset Tool	1
KL-0500-716	Thrust Piece, Ø 115mm	1
KL-0500-717	Thrust Piece, Ø 131mm	1
KL-0500-80/80 B	USB stick	1
KL-0500-7190 A	Plastic Storage Case	1



8 pcs.



KL-0500-61 K

(Code 3030911)

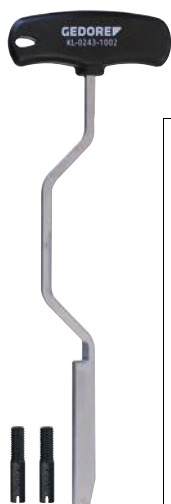
Update Tool Kit for Double Clutch

The **KL-0500-61 K** update tool kit is designed to complement the previous LuK tool kit for double clutch (**LuK 400 0240 10**), so that the contents includes all the tools of the current **KL-0500-80 K** base tool kit for double clutch and **KL-0500-81 K** upgrade tool kit for VW.

Scope of Delivery:

KL-0500-61 K Upgrade Tool Kit for Double Clutch

Part No.	Description	Qty
KL-0500-6081	Reference Gauge, 48.42mm	1
KL-0500-6082	Reference Gauge, 32.12mm	1
KL-0500-8010	Special Open-End Wrench, waf 47mm	1
KL-0500-8011	Unlocking Key	1
KL-0500-8012	Plug for Drive Shaft Holes	2
KL-0500-802	Transmission Support with Height Adjustment Mechanism	1
KL-0500-803	DMF Reset Tool	1
KL-0500-80/80 B	USB stick	1
KL-0500-6190	Plastic Storage Case	1



3 pcs.



KL-0243-10

(Code 3238768)

Assembly Lever, with Guide Pins

Applicable to VW-Audi, SEAT and Škoda vehicles equipped with a transversely mounted 7-speed double-clutch gearbox OAM; such as Audi A3 (8P); VW Polo (6R, 6C), Golf (1K), Golf Plus (1KP), Touran (1T), Eos (1F), Passat (3C), Passat CC (35), Scirocco (13); SEAT Ibiza V (KJ), Toledo (5P); ŠKODA Fabia (5P), Octavia (1Z) etc.

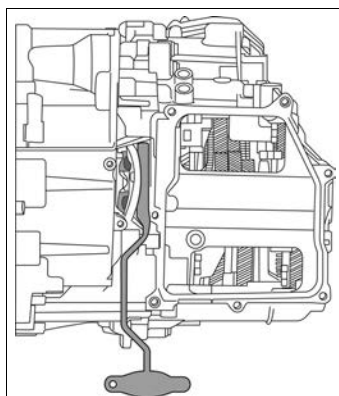
Alternative tool: T10406, T10407

Required to pre-load and lock the clutch engagement levers when removing and installing the mechatronic unit on a (DSG) double-clutch gear box OAM. The guide pins supplied with the kit ensure straight mounting of the mechatronic unit.

Scope of Delivery:

KL-0243-10 Assembly Lever, with Guide Pins

Part No.	Description	Qty
KL-0243-1002	Assembly Lever (for plungers)	1
KL-0243-1001	Guide Pin	2



KL-0043-341 (Code 3042324)

Internal Puller, Ø 16-18mm

Applicable to VW-Audi 1.2, 1.4, 1.6, 1.8 TSI / TFSI and 1.6, 1.9 TDI engines with 7-speed OAM dual clutch gearbox (dry clutch); as fitted to: Audi A1 (8X1), A3 (8P1, 8P1, 8PA); Seat Altea (5P1) Altea XL (5P5, 5P8) Ibiza V (6J5, 6J1, 6J8), Leon (1P1) Toledo III (5P2); Skoda Fabia II (54), Octavia (1Z3, 1Z5), Superb (3T4, 3T5); VW Golf Plus (5M1, 521), Golf V (1K1, 1K5), Golf VI (5K1, 517, AJ5), Jetta III (1K2), Passat (362, 365, 3C2, 3C5), Passat CC (357), Polo (6R), Scirocco (137), Touran (1T1, 1T2, 1T3) etc.

The internal puller allows for the easy and professional removal of pilot/guide bearings from vehicles equipped with a 7-speed OAM dual clutch gearbox.

The collet made of high-grade special steel allows the internal puller to be securely held in the pilot/guide bearing.

Necessary Accessories: 1.36/1 Counter-support brace

Scope of Delivery: KL-0043-341 Internal Puller, Ø 16-18mm

Part No.	Description	Qty
KL-0043-3411	Collet, Ø 16-18mm	1
KL-0043-3413	Expanding Bolt, M10	1



Technical Data:

Retaining thread:	M10
-------------------	-----

KL-0069-5 K (Code 3140873)

Clutch Aligner Kit

Applicable to vehicles both with and without a pilot/guide bearing in the crankshaft, with clutch discs having a hub Ø ranging from 15-29mm, and pilot/guide bearing Ø from 12-16mm respectively.

Alternative tool: 16-067, 308-204, W 000 589 47 31 00, W 201 589 08 15 00

For the quick centric alignment of the clutch disc to the pressure plate, the flywheel respectively. The special design of the tool provides for the perfect centring of the clutch.

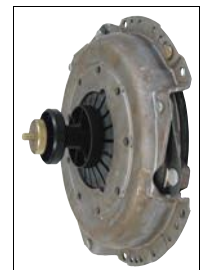
Technical Data:

Clamping range (of size 1 clamping cone):	15 - 22mm
Clamping range (of size 2 clamping cone):	22 - 29mm

Scope of Delivery: KL-0069-5 Clutch Aligner

Part No.	Description	Qty
KL-0069	Clutch Aligner	1
KL-0069-5010 A	Centring Sleeve Set	1
KL-0069-5030	Plastic Storage Case	1

12 pcs.



KL-0118-10 A (Code 2850796)

Pliers for Clutch Master Cylinder Piston Rod

Applicable to VW-Audi, Opel/Vauxhall, Citroën and Peugeot.

The ideal tool for e.g.: Opel/Vauxhall Astra-J, Signum, Vectra-C; Audi A1 (8X), A3 (8P), A4 (B7), A6 (C6); VW Golf (1K1), Passat (3B6), Eos (1F); Peugeot 207 (06-15); 307 (01-09); 308 (07-13); 407 (04-11); Citroën C3 (2009-) (also for Picasso); C4 (04-10) (also for Picasso); C5 II (2007-) etc.

Alternative tool: T10005, T20029A, 0350-C

The pliers are designed to release the clutch master cylinder piston rod from the clutch pedal quickly and with ease.

Very useful tool when removing a clutch master cylinder/pedal support bracket.

Technical Data:

Min. opening distance between jaws:	3mm
Max. opening distance between jaws:	60mm
Overall length:	290mm





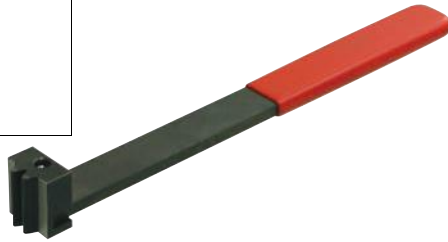
KL-0110 A Holding Wrench

(Code 2480417) (Universal)

Universal application.
Used for locking flywheels.

Technical Data:

Length:	250mm
Weight:	0.5kg



KL-0140-2 A Friction Gauge, 0.3 - 6Nm

(Code 3251632)

Applicable to passenger cars and HGVs.
For example from: Mercedes and VW.

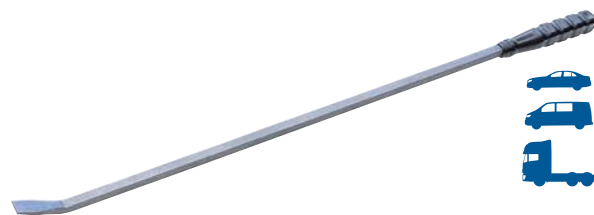
Alternative tools: W 001 589 49 21 00, VAS 6523

The friction gauge allows you to accurately determine the friction torque in the range of 0.3 - 6Nm on differentials, manual or automatic transmissions and steering gears. Required to check and adjust the bearing preload when removing/installing the propshaft flange, after changing the shaft seal or when performing transmission repairs. Input takes place via the 13mm hexagon, output via the 1/2" square.

Recommended Accessory: 1993 U-20 Reversible Ratchet 1/2"

Technical Data:

Measuring range:	0.3 - 6Nm
Input:	13mm waf
Output:	1/2"
Diameter:	64mm
Height:	66mm



KL-0190-94 Pry Bar

(Code 1961314)

This pry bar made of special steel is ideal for:

- Dismantling stubborn components.
- Positioning and holding components in position.
- Spreading clamping bores, etc.

Technical Data:

Length:	900mm
Blade width:	24mm



2 pcs.



KL-0193-95 Pry Bar Set

(Code 1754092)

These pry bars made of special steel are ideal for:

- Dismantling stubborn components.
- Positioning components.
- Holding components in position.
- Checking suspension ball joints and silentblocs.

Technical Data:

Part No.	Length	Blade width 1 / 2	Weight
KL-0193-951	730mm	24/33mm	1,600g
KL-0193-953	900mm	24/33mm	1,900g

44 ...

Pin-Type Face Spanner

- Similar to DIN 3116
- GEDORE vanadium steel 31CrV3, manganese-phosphated
- Spanner features riveted or welded pins (not replaceable)



44 3

[Code 6354480]

Pin-Type Face Spanner, Pin Ø 3mm

For use on two-hole nuts Ø 11-60mm.

Technical Data:

Ø:	11-60mm
Pin Ø:	3mm
Pin height:	4mm
Overall length:	178mm
Weight:	148g

44 4

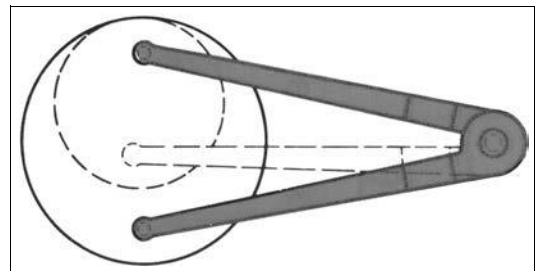
[Code 6354560]

Pin-Type Face Spanner, Pin Ø 4mm

For use on two-hole nuts Ø 11-60mm.

Technical Data:

Ø:	11-60mm
Pin Ø:	4mm
Pin height:	5mm
Overall length:	178mm
Weight:	151g



44 5

[Code 6354640]

Pin-Type Face Spanner, Pin Ø 5mm

For use on two-hole nuts Ø 14-100mm.

Technical Data:

Ø:	14-100mm
Pin Ø:	5mm
Pin height:	6mm
Overall length:	230mm
Weight:	259g

44 6

[Code 6354720]

Pin-Type Face Spanner, Pin Ø 6mm

For use on two-hole nuts Ø 14-100mm.

Technical Data:

Ø:	14-100mm
Pin Ø:	6mm
Pin height:	7mm
Overall length:	230mm
Weight:	260g

1.06/AS

[Code 8001710]

Puller set

2-arm puller, with 6 slim legs in 3 lengths.

The puller features extremely pointed leg ends and an ultra slim leg shaft (Important for transmission repairs).

The universal twin-leg puller can be used as an internal or external puller - simply by reversing the legs.

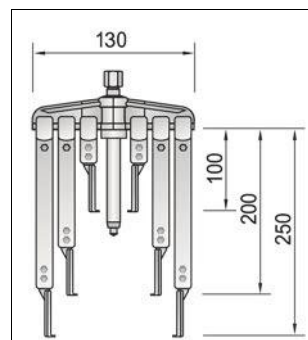
Recommended Accessory:

1993 U-20 Reversible Ratchet 1/2"

Technical Data:

Drive:	17mm
Max. pulling width:	130mm
Usable clamping reach:	100/200/250mm
Width of hooked foot:	29.5mm
Thickness of hooked foot at tip:	3.7mm
Depth of hooked foot:	13.5mm
Max. load capacity:	2.5t

7 pcs.





15 pcs.



1100-1.04 (Code 2838362) Universal Puller Assortment

- 2- and 3-arm cross-beam
- With rigid and slim legs and extensions
- Extra-slim pulling legs for cramped spaces are attached for self-mounting
- The forged leg feet are very slim particularly suitable for barely accessible places
- 12 different pullers can be combined
- External Ø up to 130mm, internal Ø up to 170mm with a 200mm clamping reach
- With Check-Tool insert for quick check of completeness

Note:

1100 CT2-1.04 Universal puller

Like the **1100-1.04**, however, supplied without Plastic Storage Case.



8 pcs.



1100-1.30 (Code 2836041) Internal Extractor Assortment

- For Clamping width 12-35mm
- For extremely-tightly-packed ball bearings, bearing races, bushings, and shaft seals Simmering®
- Sliding hammer 1.7kg and counter-support brace
- With Check-Tool insert for quick check of completeness
- As tools are fully sunk in the foam, the equipped insert can be stacked
- Insert for use in drawers with min. dimensions 400 x 310 x 60mm

Note:

1100 CT2-1.30 Internal extractor

Like the **1100-1.30**, however, supplied without Plastic Storage Case.

Technical Data:

Clamping width internal pulling:	12,35mm
----------------------------------	---------



14 pcs.



1100-1.41/2A (Code 2927284) Separator and Puller Set

- Clamping width external pulling Ø 22-115mm
- Incl. threaded inserts for internal threads M8-M18
- For loosening and pulling tightly-seated parts e.g. taper roller bearings and inner bearing races
- The clamping reach can be extended with extension rods 1.38/AV-FV from 195 to 295mm
- With Check-Tool insert for quick check of completeness
- As tools are fully sunk in the foam, the equipped insert can be stacked
- Insert for use in drawers with min. dimensions 400 x 310 x 60mm

Note:

1100 CT2-1.41/2A Separator and puller set

Like the **1100-1.41/2A**, however, supplied without Plastic Storage Case.

KL-0124-43 (Code 2871726)

Oil Pump with 12 Litre Reservoir

Universal field of application. Ideal for use on gearboxes as found in VW-Audi, Ford, BMW, Honda, Nissan, Toyota, Mercedes, Volvo vehicles.

The oil pump with 12 litre reservoir is designed to facilitate the quick and safe filling/topping up of gearbox, differential, engine, power steering etc.

The reservoir can be pressurised quickly and easily with the aid of compressed air. This allows the user to have both hands free to accurately dose the necessary vehicle-specific operating liquid.

Alternatively, the filling/topping up can also be carried out by operating the hand pump on the reservoir.

The oil pump with reservoir allows for the quick, easy and professional filling/topping up even in confined space conditions or where access is difficult.

Thanks to the universal and the vehicle-specific adaptors that come with the kit, the oil pump with reservoir is suitable for a wide range of applications.

Scope of Delivery: KL-0124-43 Oil Pump with 12 Litre Reservoir

Part No.	Description	Qty
KL-0124-4311	Reservoir (12l) with Pump	1
KL-0124-4313	Filling Hose with Ball Valve	1
KL-0124-4312	Hook	1
KL-0124-432 K	Adaptors in a Storage Case	1
• KL-0124-4358-0	Adaptor for Ford Gearbox	1
• KL-0124-4358-1	Adaptor for Toyota Gearbox	1
• KL-0124-4358-2	Adaptor BMW, Honda, Nissan	1
• KL-0124-4358-3	Adapter (short) for VW Gearbox	1
• KL-0124-4358-4	Adapter (long), for VW Gearbox	1
• KL-0124-4358-5	Adaptor for VW Gearbox (M10x1.0)	1
• KL-0124-4358-6	Adapter for VW-Audi DSG Gearbox (M24x1.5)	1
• KL-0124-4358-7	Adaptor for Audi CVT Gearbox (M22x1.5)	1
• KL-0124-4358-8	Adaptor for Mercedes 722.9 Gearbox (M12x1.5)	1
• KL-0124-4358-9	Adaptor for Volvo Gearbox (5/16-24)	1



11 pcs.



Note:

Additional reservoir with lid available as accessory (to be ordered separately).

Recommended Accessories:

KL-0124-433 Reservoir with lid (12l)

KL-0124-4359 Angled Oil Filler Adaptor (VW-Audi)

KL-0124-4358-10 Oil Filling Adaptor, DSG Transmission, VW

Technical Data:

Reservoir capacity (with pump):	12 litre
Cracking pressure of the pressure relief valve:	1 bar (14 psi)
Maximum pressure:	2.5 bar (35 psi)

KL-0124-432 K (Code 2871661)

Adaptor Assortment, in a Storage Case

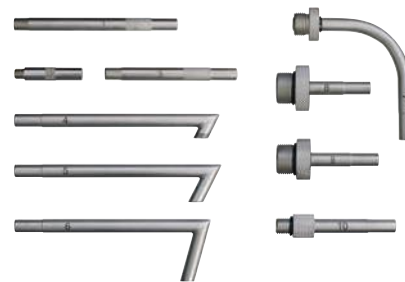
Universal field of application. Particularly suitable for use on gearboxes found in VW-Audi, Ford, BMW, Honda, Nissan, Toyota, Mercedes, Volvo vehicles.

The **KL-0124-432 K** assortment with its universal and vehicle-specific adaptors allows the **KL-0124-43** oil pump with reservoir to be used for a wide range of applications.

Scope of Delivery: KL-0124-432 K Adaptor Assortment, in a Storage Case

Part No.	Description	Qty
KL-0124-4358-0	Adaptor for Ford Gearbox	1
KL-0124-4358-1	Adaptor for Toyota Gearbox	1
KL-0124-4358-2	Adaptor BMW, Honda, Nissan	1
KL-0124-4358-3	Adapter (short) for VW Gearbox	1
KL-0124-4358-4	Adapter (long), for VW Gearbox	1
KL-0124-4358-5	Adaptor for VW Gearbox (M10x1.0)	1
KL-0124-4358-6	Adapter for VW-Audi DSG Gearbox (M24x1.5)	1
KL-0124-4358-7	Adaptor for Audi CVT Gearbox (M22x1.5)	1
KL-0124-4358-8	Adaptor for Mercedes 722.9 Gearbox (M12x1.5)	1
KL-0124-4358-9	Adaptor for Volvo Gearbox (5/16-24)	1
KL-0124-4390	Plastic Storage Case	1

10 pcs.



KL-0124-4358-10 (Code 3236935)

Oil Filling Adaptor, DSG Transmission, VW

Applicable to Audi vehicles equipped with a longitudinal-mounted 7-speed DSG transmission (DL382 Series). Alternative tool: VAS 6617/12

The adaptor is needed for filling DSG transmissions.



Necessary accessories: KL-0124-43 Oil Pump

KL-0124-4359 (Code 3235556)

Angled Oil Filler Adaptor

Applicable to VW-Audi vehicles equipped with a transverse-mounted 7-speed DSG transmission (DQ200 Series). Alternative tool: VAS 6262/4

The adaptor is needed for filling DSG transmissions.



Necessary Accessories: KL-0124-43 Oil Pump



KL-0124-433 (Code 2871874) Reservoir (12 Liter) with Lid

Additional reservoir for KL-0124-43 if different types of oil are to be used.

The **KL-0124-433** reservoir (12 liter) with lid is designed for the quick and safe filling and storage of different types of oil.

Scope of Delivery:

KL-0124-433 Reservoir (12 liter) with Lid

Part No.	Description	Qty
KL-0124-4331	Reservoir (12 liter) with Lid (empty)	1
KL-0124-4332	Lid without connections	1



KL-0288-11 (Code 2228947) Oil Filler Adaptor for VW DSG Gearbox

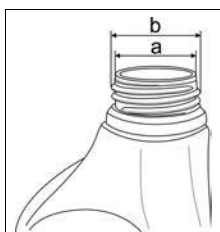
Suitable for use on VW-Audi DSG gearboxes.

Alternative tool: 6262, VAS 6262 A

This tool is indispensable for the quick, easy and clean filling and re-filling of DSG gearboxes. The oil filler adaptor is screwed directly to the 1 litre oil reservoir (VAG G 052 182 A2). The built-in shut-off valve ensures that the accurate quantity of oil is filled in, as well as professional working.

Technical Data:

Hose length:	2m
Gearbox connection thread:	M24x1.5
Dimensions of oil reservoir (a):	34mm
Dimensions of oil reservoir (b):	37.7mm



KL-0231-2 (Code 1754408) Multi-Spline Socket, XZN, M16

Applicable to Audi A3, A4, A6; VW Fox, Golf (IV), LT.

This multi-spline socket features an inner bore and is therefore the ideal tool for oil drain plugs and oil control plugs on gearboxes.

Recommended Accessory: 1993 U-20 Reversible Ratchet 1/2"

Technical Data:

Size:	M16
Length:	60mm
Drive:	1/2"



2 pcs.



KL-0231-40 (Code 3123782) Oil Filter Socket Set, DSG, angled

Applicable to VW-Audi, Seat and Skoda DSG transmissions.

The oil filter sockets of this set allow for the quick and professional loosening and tightening of the oil filter housing cover on DSG transmissions; required when changing the oil filter cartridge. Thanks to the specially angled design of the sockets, the removal of the battery/battery tray assembly is no longer necessary and, as a result, the time-consuming procedure of teaching-in the parameters of the different electronic control units is eliminated.

Recommended Accessory:

1993 U-20 Reversible Ratchet 1/2", **1990-10** Extension 1/2", 250mm

Technical Data:

Drive:	1/2"
Size (waf):	24mm

Scope of Delivery:

KL-0231-40 Oil Filter Socket Set, DSG, angled

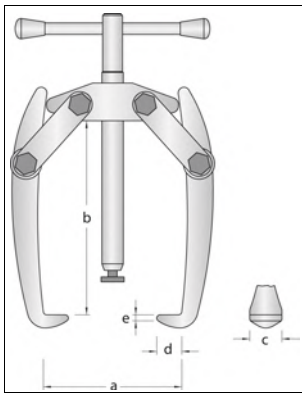
Part No.	Description	Qty
KL-0231-401	Oil Filter Socket, DSG, angled, long	1
KL-0231-402	Oil Filter Socket, DSG, angled, short	1





6. Vehicle Body and Interior Fittings





1.12/01

(Code 8003760)

Wiper Arm Puller

Universal application. Alternative tool: W 001 589 38 33 00

The perfect tool for the quick and easy removal of bolted windscreen wiper arms, even when these have rusted or seized on the shaft. Also suitable for battery terminals, pulleys, gears, ball bearings, etc. The hook tips grip automatically.

Technical Data:

a max.:	60mm
b:	60mm
c:	10mm
d:	5mm
e:	2.0mm
Spindle thread size:	M10x1,5
Max. load capacity:	0.5t
Weight:	180g



KL-0273-10

(Code 2273926)

Removal Tool for Car Door Handle

Suitable for use on many car models from VW-Audi, Seat, Škoda. For example: VW Golf V (1K), Golf VI (5K), Fox (5Z), Tiguan (5N), Passat (3C), Amarok (2H), Beetle (5C), etc.

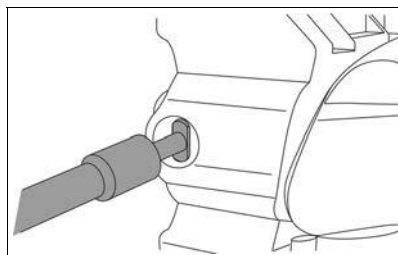
Alternative tool: T10389

For removing the cover cap on car door handles without key cylinder. Required for removing the door handle.

This removal tool for car door handle allows trouble-free loosening of the hard-to-reach locking hook.

Technical Data:

Length:	240mm
Weight:	70g



KL-0273-11

(Code 3238733)

Door Handle Removal Tool, VW

Applicable to VW-Audi, SEAT and ŠKODA vehicles such as:

Audi Q2 (GA); VW Polo (AW), Golf Sportsvan (AM), Passat B8 (3G), Caddy IV (SA), Tiguan II (AD), Touran II (5T) etc.

Alternative tool: T10539

The tool is designed to remove and install the cap on door handles. Allows the locking hook for the cap on the door handle to be released and locked quickly and professionally. Necessary to dismantle and mount door handles with cap.

Technical Data:

Length:	205mm
---------	-------



KL-4306-6330

(Code 1756435)

Torx® Screwdriver with T-Handle, T30x350mm

For the front mudguard fixing bolts on, e.g. Audi A4, A6; BMW 3 Series E36/E46, 7 Series E38.

This tool is required to allow the front mudguards to be removed and replaced without the need to remove the front doors. The long, slim design of the tool allows the hard-to-reach Torx® bolts in the A-pillar to be removed and replaced with the car door being open.

For removal/installation of headlights on Audi A4, A6.

The long, slim design of the T-handle allows the Torx® Bolts on the headlights to be reached with ease.

For removal/installation of door trim panels, e.g. on BMW 3 Series E36, 5 Series E60.

Technical Data:

Length:	350mm
---------	-------

* = reg. trademark of Acument Intellectual Properties, LLC. USA

KL-4306-8320 (Code 1829904)

5-Point Screwdriver with T-Handle (T20x260mm)

Suitable for Mercedes.

The length and narrow shape of the **KL-4306-8320** five-point star screwdriver makes it ideal for removing and installing exterior rear view mirrors on Mercedes vehicles.

Technical Data:

Weight:	100g
Size:	T20
Shaft Length:	220mm
Overall length:	260mm

Note:

On Mercedes vehicles with the outside mirror shown here, the following retaining screws are used:
OEM = Torx® T20 (**KL-4306-6320**) or 5-point star T20
MB spare part = 5-point star T20

* = reg. trademark of Acument Intellectual Properties, LLC. USA



KL-4043-100 (Code 3292002)

Socket Spanner Set 1/4" + 3/8", IP TorxPlus®

Universally suitable for cars with TorxPlus® fittings such as VW, Audi, Seat, Škoda, Renault, Nissan, Opel, Fiat, Toyota, GM, Ford, and many others.

For loosening and tightening TorxPlus® screwed connections with inner profile such as on timing belt or timing chain housing covers as well as on engines and gearboxes in general.

Recommended Accessories:

GEDORE 2093 U-20 Reversible Socket Spanner 1/4",
GEDORE 3093 U-20 Reversible Socket Spanner 3/8"

Technical Data:

Spanner size:	IP 10; 15; 20; 25; 30; 40; 45; 50; 55; 60
Drive:	1/4" + 3/8"

11 pcs.



KL-4043-200 (Code 3292118)

Socket Spanner Set 3/8", EP TorxPlus®

Universally suitable for cars with TorxPlus® fittings such as VW, Audi, Seat, Škoda, Renault, Nissan, Opel, Fiat, Toyota, GM, Ford, and many others.

For loosening and tightening TorxPlus® screwed connections with external profile such as on timing belt or timing chain housing covers as well as on engines and gearboxes in general.

Recommended Accessories:

GEDORE 3093 U-20 Reversible Socket Spanner 3/8"

Technical Data:

Spanner size:	EP 10; 12; 14; 16; 18; 20
Drive:	3/8"

7 pcs.



KL-4043-300 (Code 3292207)

Socket Spanner Set 1/2", EP TorxPlus®

Universally suitable for cars with TorxPlus® fittings such as VW, Audi, Seat, Škoda, Renault, Nissan, Opel, Fiat, Toyota, GM, Ford, and many others.

For loosening and tightening TorxPlus® screwed connections with external profile such as axle parts, flywheels, as well as on engines and gearboxes in general.

Recommended Accessories:

GEDORE 1993 U-20 Reversible Socket Spanner 1/2"

Technical Data:

Spanner size:	EP 22; 24; 26; 28; 30; 32
Drive:	1/2"

7 pcs.





KL-4084-200 (Code 3241130) Mortorq® Super (MTS) Bit Socket Set

Universally applicable to Mortorq® Super fasteners as found on Alfa Romeo, BMW, Chrysler, Fiat, GM, Honda, Jeep, Nissan, Tesla etc.

Designed for the professional loosening and tightening of screws with Mortorq® Super (MTS) Profile.

Applications include transmission, differential, hybrid and chassis components as well as car seats, seat rails, interior trims, restraint systems etc. The bit socket set is supplied on a handy storage rail.

Recommended Accessory:
3093 U-20 Reversible Ratchet, 3/8"

Technical Data:

Drive:	3/8"
Length:	50mm
Sizes (waf):	MTS0, MTS1, MTS2, MTS3, MTS4
Profile:	For Mortorq® Super (MTS) Profiles



KL-4503-301 (Code 2918641) Multi-Purpose Pliers, 180mm

Universal use.

These multi-functional pliers are provided with toothed gripping jaws to ensure that cables and other parts are securely held. The pliers combine multiple features into a single tool allowing for holding, insulation-stripping, cutting, crimping and squeezing of cables, insulated flat plugs, wire end ferrules, crimp connections etc.

Technical Data:

Stripping of insulations:	0.5mm ² / 1.5mm ² / 2.5mm ²
Crimping of wire end ferrules:	0.5mm ² - 2.5mm ²
Squeezing of insulated flat plugs:	1.0mm ² - 2.5mm ²
Length:	180mm
Weight:	180g



KL-0190-41 A (Code 3236579) Release/Removal Pliers

Applicable to VW-Audi 1.6 and 2.0 Common Rail Diesel engines.

Fitted to: Audi A1 (8X), A3 (8V), A4 (B9, 8W), A5 (8F), A6 (C7, 4G), Q3 (8U), Q5 (8R), TT (FV, 8S); VW Golf VII (AU, 5G), Passat (B8, 3G), Scirocco III (13) etc.

Kunststoff-Nieten z.B. am Querlenker von Audi A4, A5, A6

Alternative tool: VAS 211 007, T40195

For removing press-fit injector seal rings from the cylinder head quickly and with ease. The pliers are also designed to unlock and pull out the re-usable two-part plastic body-bound rivets from door and underbody panels.

The pliers head can be adjusted up to an angle of 90°, thus allowing you to work even in hard-to-reach areas.

Technical Data:

Length:	240mm
---------	-------



KL-0194-130 A (Code 2478536) Set of Plastic Wedges

The four plastic wedges are particularly suitable for car body work such as the removal and installation of trim strips, door trims, door clips etc.

Scope of Delivery / Technical Data: KL-0194-130 A Set of Plastic Wedges

Part No.	Description	Weight	Dimensions (mm) LxWxH
KL-0194-13 A	Plastic Wedge, with Felt	75g	255x20x25
KL-0194-14 A	Plastic Wedge, with Straight and Sloping Tip	35g	250x20x10
KL-0194-15 A	Plastic Wedge	75g	200x30x25
KL-0194-16 A	Plastic Wedge, Angled, with Cutout and Pin (for door clips)	55g	230x22x8

KL-0190-50 Hog Ring/Pliers Kit

[Code 1804898]

For installing upholstery hog rings on vehicle seats (various makes).

Scope of Delivery:

KL-0190-50 Hog Ring/Pliers Kit

Part No.	Description	Qty
KL-0190-5	Hog Ring Pliers	1
KL-0190-501	Hog Rings (100 Pcs)	1
KL-0190-5090	Plastic Storage Case (empty)	1



Technical Data:

Dimension:	220x115x33mm
Weight:	500g

KL-0372-6 Mounting Sleeve for Ignition Switch, MB

[Code 1827820]

Suitable for Mercedes vehicles with FBS 2 and FBS 3 Ignition Switch on W129, W140, W203, W208, W209, W210, W211, W220, W230 and W906 (Sprinter) as well as VW Crafter.

Alternative tool: W 202 589 00 14 00, W 210 589 00 07 00

Designed to loosen the ignition switch retaining ring.



KL-0372-3 Set of Pulling Hooks (long), Mercedes

[Code 1755544]

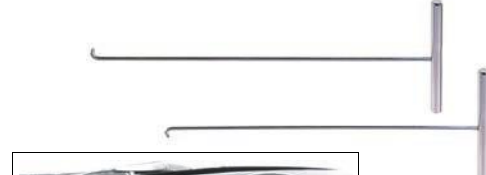
Suitable for Mercedes W116, W123, W124, W126, W129, W140, W201, W202, W203, W208, W209, W210, W211, W220, W230 as well as VW Crafter.

Alternative tool: W 126 589 03 33 00, W 140 589 02 33 00

For removing the instrument cluster.



2 pcs.



KL-0191-10 Special Screwdriver Bit Socket with Bore, Torx® T30

[Code 1753967]

Suitable for removal and installation of airbags on BMW, Mercedes etc.

Alternative tool: W 126 589 00 01 00

The screwdriver bit socket **KL-0191-10** is hollow bored on the inside to retain the special Torx® screws found on airbags. Thanks to the special tool length of 85mm, the airbag mounting screws can easily be reached.

Technical Data:

Length:	85mm
Drive:	1/4"
Weight:	22g

* = reg. trademark of Acument Intellectual Properties, LLC. USA



Recommended Accessory: 2093 U-20 Reversible Ratchet, 1/4"

KL-0191-11 Special Screwdriver Bit Socket, Torx® T30

[Code 1753975]

Suitable for removal and installation of airbags on VW, Audi A4 (models '96-'05), Opel/Vauxhall, Renault etc.

The screwdriver bit socket **KL-0191-11** is suitable to retain the conventional Torx® screws on airbags. Socket is not hollow-bored on the inside.

Recommended Accessory: 2093 U-20 Reversible Ratchet, 1/4"

Technical Data:

Length:	85mm
Drive:	1/4"
Weight:	22g

* = reg. trademark of Acument Intellectual Properties, LLC. USA





2 pcs.



KL-0242-10

(Code 1754467)

Airbag Removal Tool Set (2 pcs.)

Suitable for driver-side airbags on VW Golf (IV, V), Lupo, New Beetle, Passat (B5) '97 onwards, Polo '99 onwards, Sharan 06/00 onwards.

For correct removal of the driver-side airbag it is necessary to release the retaining bracket from its anchor with the appropriate wrench.

Scope of Delivery:

KL-0242-10 Airbag Removal Tool Set (2 pcs.)

Part No.	Description	Qty
KL-0242-101	Airbag Removal Tool, Golf IV	1
KL-0242-102	Airbag Removal Tool, Passat B5	1



KL-0190-11

(Code 3253147)

Connector Release Tool

Universally applicable to many wire harness connector systems. Particularly useful with VW-Audi, Seat, Skoda, Porsche, Opel/Vauxhall, Fiat and Renault vehicles.

For the professional and non-destructive release/removal of connectors as found on mass airflow (MAF) sensors, coil packs, headlights etc.

The **unique design** of the tool allows the connector to be **released from both sides** - by pulling from the rear as well as by pushing from the front. The special shape of the blade ensures that the profile engages the release tab on the connector completely and **non-destructively** - no matter which technique is applied.

Even connectors where the tab is broken off are no longer an issue and can be **released with ease**.

- **Safe** - allows for non-destructive release of the connector
- **Universal** - allows the connector to be released not only from the rear but also from the front
- **Innovative** - allows for hassle-free release of the connector - even if the tab is broken off

Technical Data:

Length:	150mm
---------	-------



19 pcs.



KL-0190-28 K

(Code 2004119)

Terminal Tool Set for Push-On Contacts

For releasing terminals from automotive plugs and connectors.

The handy and ergonomic design of the blue anodized aluminium handles ensures safe working without the risk of slipping.

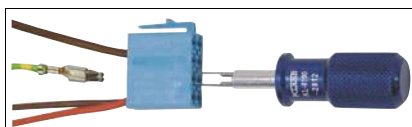
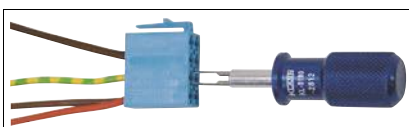
Due to their very short shape, the terminal tools enable the easy release of cable plug-and-socket connections, even if these are difficult to access.

During the release procedure, the barbed hooks are pushed on the terminal by means of the tool forks, so that the cable with the plug can be extracted with ease.

Thanks to its wide range of different inserts, the terminal tool set **KL-0190-28 K** enables the trouble-free release of terminal contacts in automotive electrical connectors without any risk of damage or injury.

Advantages:

- The tool is easy to operate.
- Substantial time savings.
- Professional and safe working.



KL-0190-28 K Terminal Tool Set for Push-On Contacts

Part No.	Suitable for:
KL-0190-2801	Audi, BMW, Ford, Mercedes, Opel/Vauxhall, Renault, Seat, VW
KL-0190-2802	Audi, BMW, Ford, VW
KL-0190-2803	Audi, BMW, Ford, Mercedes, Opel/Vauxhall, Renault, Seat, VW
KL-0190-2804	BMW, Ford
KL-0190-2805	Audi, BMW, Mercedes, Opel/Vauxhall, Seat, Škoda, VW
KL-0190-2806	Audi, BMW, Mercedes, Opel/Vauxhall, Renault, Seat, Škoda, VW
KL-0190-2807	BMW, Mercedes
KL-0190-2808	Audi, Seat, Škoda, VW
KL-0190-2809	Audi, Opel/Vauxhall, Renault
KL-0190-2810	BMW, Mercedes
KL-0190-2811	BMW, Mercedes
KL-0190-2812	Audi, BMW, Mercedes, Opel/Vauxhall, Seat, VW
KL-0190-2813	BMW, Mercedes, Opel/Vauxhall
KL-0190-2814	BMW, Mercedes
KL-0190-2815	Audi, BMW, Opel/Vauxhall, VW
KL-0190-2816	BMW, Mercedes
KL-0190-2817	Audi, BMW, Mercedes, Škoda, Opel/Vauxhall, Seat, VW
KL-0190-2818	Audi, BMW, Mercedes, Opel/Vauxhall, Seat, Škoda, VW
KL-0190-2819	Audi, BMW, Ford, Mercedes, Opel/Vauxhall, Renault, Seat, VW

KL-0190-30

(Code 1859501)

Test Lamp

The test lamp is suitable for testing electric circuits up to 24V. Facilitates locating open and short circuits.
The probe-tip is protected by a screw-cap.

Technical Data:

Weight:	60g
---------	-----



KL-0190-12

(Code 3256588)

Pry Bar with Handle

Universal application.

This strong fork-type pry bar is a very versatile tool suitable for a wide range of jobs on the vehicle. Typical applications include levering off panels, axle parts, rubber exhaust hangers and housings as well as checking silentblobs/bushes and ball joint connections on vehicle axles.

Particularly useful for separating push-fit ball joint connections on shifter cables and shift linkages. An indispensable tool when replacing a clutch or carrying out repairs on transmissions etc.

Technical Data:

Fork internal width:	15mm
Fork external width:	35mm
Fork length:	60mm
Overall length:	250mm



KL-0190-20

(Code 1794930) (Universal)

Pliers for Light Bulbs

Universally suitable for VW-Audi, Opel/Vauxhall, Ford, Mercedes, BMW, etc.

This tool is designed to extract wedge base bulbs, for example, bulbs used for instrument lighting in the dashboard.
The coated tips of the pliers prevent damage to the light bulb.

Technical Data:

Length:	165mm
Weight:	150g



KL-0126-203

(Code 1828061)

Flexible Magnetic Lifter

This flexible magnetic lifter enables metallic objects to be removed even from hard-to-reach areas.

Technical Data:

Magnet power:	600g
Magnetic head -Ø:	8mm
Length:	470mm
Weight:	70g





KL-0126-206

[Code 1792911]

Telescopic Magnetic Lifter

This telescopic magnet lifter enables metallic objects or particles to be removed even from hard-to-reach areas.



Technical Data:

Length:	130-630mm
Magnetic head Ø:	11mm
Magnet power:	1,600g
Weight:	33g

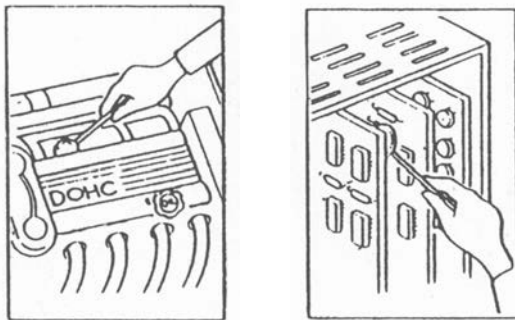


KL-0126-261

[Code 1875531]

Telescopic Mirror, Ø 50mm, 300mm long

Allows hard-to-reach places to be easily seen. Any orientation possible thanks to the 360° swivel ball joint.



Technical Data:

Length:	170-300mm
---------	-----------



53 pcs.



1100-1094

[Code 2979063]

VDE Tool Assortment HYBRID, in GEDORE L-BOXX® 136



- The perfect range of tools for repairs and maintenance of hybrid and electric vehicles
- For vehicles of all the manufacturers
- All tools insulated on the basis of EN 60900/EC 60900
- GEDORE L-BOXX® 136 compatible with the Sortimo® vehicle interior fittings in your service mobile.

Contents:

- 3/8" VDE Socket No. VDE 30, SW 6 8 9 10 11 12 13 14 15 16 17 18 19 20 22mm
- 3/8" VDE Screwdriver bit socket No. VDE INX 30, AF 8 10 12mm
- 3/8" VDE Extension No. VDE 3090 -3 -6, 75 150mm
- 3/8" VDE Reversible ratchet No. VDE 3093 U
- VDE Screwdriver slotted No. VDE 2170, 2.5 3.5 4 5.5mm
- VDE Screwdriver cross-slotted No. VDE 2160 PH 1 2 3
- VDE Screwdriver TX No. VDE 2163 TX T20 T25 T30
- VDE Cable shears No. VDE 8094, 200mm
- VDE Universal pliers No. VDE 146 10, 10"
- VDE Power combination pliers No. VDE 8250-200 H, 200mm, 2C handle
- VDE Power side cutter No. VDE 8314-180 H, 180mm
- VDE Bent nose pliers No. VDE 8132 AB-200 JC, 200mm angled 2C handle
- VDE Flat nose pliers No. VDE 8120-160 H, 160mm, 2C handle
- VDE Cable knife No. VDE 4522, 180mm
- Meter connection fitting No. V 914, Size 1 2 3





7. Drives and Accessories



KL-4007-311 [Code 1755943]
Swivel Head Breaker Bar, 1/2",
Length 620mm

Ultra-long design, with 180° swivel head.
Ideal for loosening very tight/stuck screws.

Technical Data:

Overall length:	620mm
Drive:	1/2"
Max. load capacity:	512Nm



3 pcs.

KL-4007-3112 [Code 1755951]
Swivel Head

Spare part for breaker bar **KL-4007-311**.



KL-4007-411 [Code 2941554]
Swivel Head Breaker Bar, 3/4", 980mm

Extra long design (980mm), with 180° swivel head.
Ideal for loosening extremely tight/stuck screws.

Technical Data:

Drive:	3/4"
Overall length:	980mm
Max load:	1,050Nm



KL-0049-100 [Code 1791664]
Slide Hammer Puller (Base Tool)

This tool is designed to extract tight-fitting and seized components such as glow plugs, spindles etc. It is used in conjunction with the respective corresponding adaptors or puller bolts.

Technical Data:

Hammer weight:	0.8kg
Length:	215mm
Connecting thread on the tie rod:	M10



KL-0049-101 [Code 2378493]
Slide Hammer Puller (Base Tool)

This tool is designed to extract tight-fitting and seized components such as glow plugs, spindles etc. It is used in conjunction with the respective corresponding adaptors or puller bolts.

Technical Data:

Hammer weight:	0.8kg
Length:	300mm
Connecting thread on the tie rod:	M10

KL-0369-4100 (Code 2320754)

Slide Hammer Puller Base Tool, 1.5kg

Alternative tool: W 355 589 01 63 00

This tool is designed to extract tight-fitting and seized components such as Injectors etc. It is used in conjunction with the respective corresponding adaptors.

Technical Data:

Hammer weight:	1.5kg
Connecting thread:	M18



KL-0049-300 (Code 2379228)

Slide Hammer Puller Base Tool, 4.8kg

The ideal tool for extracting stuck or tight-fitting components such as half shafts, universally jointed drive shafts, injector nozzles etc. It is used in conjunction with the respective adaptors and puller bolts.

Recommended Accessory: KL-0049-3020 Hook

Technical Data:

Hammer weight:	4.8kg
Connection thread:	M18



KL-0174-545 (Code 2379228)

Adaptor, 2 1/4"-14 UNS to M18

Component for the assembly of a Puller from the **KL-0174-... Puller-Series**.



KL-0049-3020 (Code 1881620)

Hook

Used in conjunction with the slide hammer puller **KL-0049-31 / KL-0049-300** for pulling chassis parts.



KL-0214-1602 (Code 2079852)

Pull Spindle, M10x1.25

Technical Data:

Length:	130mm
Thread:	M10x1.25
Drive:	waf 17mm



Spare part for **KL-0214-16** Pulling device for silentblocks.

KL-0174-831 (Code 2723190)

Mechanical Drive Set

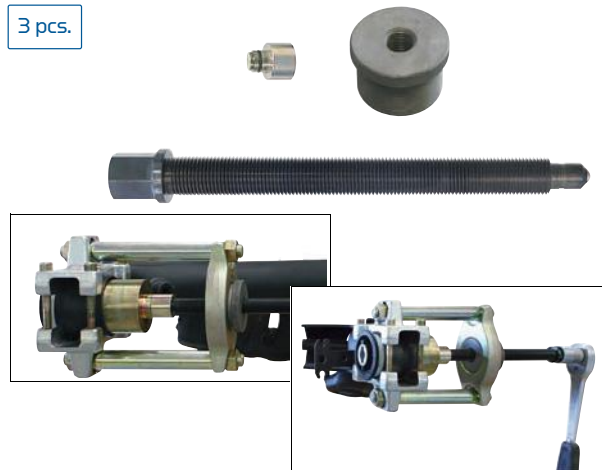
The mechanical drive set **KL-0174-831** enables GEDORE Automotive pressing devices, for example those consisting of press frame **KL-0039-1140, KL-0326-1000** etc. and sleeve sets of the **KL-0039 Series**, to be driven mechanically.

Scope of Delivery:

KL-0174-831 Mechanical Drive Set

Part No.	Description	Qty
KL-0174-620	Spindle, M20x2x230	1
KL-0174-547	Adaptor, 2 1/4"-14 UNS to M20x2	1
KL-0174-853	Thrust Piece for Mechanical Spindle	1

3 pcs.



Overview Spindle, Quick-Action Clamping Nut, Clamping-/Pressure Nut



Spindles for Cardan Shafts KL-0174-Series

KL-No.	Code	Thread	Type	Overall length	L-/Ø-operating	Max.	Drive
KL-0174-610	2404559	M14x1,5	Pressure Spindle	175mm	150mm	9t	mechanical
KL-0174-812	1817140	M16x1,5	Pressure Spindle	175mm	150mm	13t	mechanical
KL-0174-611	1903136	M16x1,5	Pressure Spindle	69mm	50mm	13t	mechanical
KL-0174-817	2261995	M20x1,5	Pressure Spindle	180mm	150mm	20t	mechanical
KL-0174-620	2173131	M20x2	Pressure Spindle	260mm	230mm	20t	mechanical



Spindles for Silent Blocks and Wheel Bearings KL-0039- / KL-0040-Series

KL-No.	Code	Thread	Type	Overall length	L-/Ø-operating	Max.	Drive
KL-0039-2010-1	2274418	M10x1,25	Pull Spindle	395mm	-	5t	mechanical
KL-0039-1910-1	2201534	M10x1,25	Pull Spindle	590mm	390mm	5t	hydraulic 17t
KL-0039-2012-1	2361760	M12	Pull Spindle	395mm	-	7t	mechanical
KL-0039-1912-1	2201542	M12	Pull Spindle	590mm	390mm	7t	hydraulic 17t
KL-0039-2014-1	2361884	M14	Pull Spindle	395mm	-	9t	mechanical
KL-0039-1914-5	2861259	M14	Pull Spindle	470mm	270mm	9t	hydraulic 17t
KL-0039-1914-1	2360667	M14	Pull Spindle	590mm	390mm	9t	hydraulic 17t
KL-0039-2016-1	2362120	M16	Pull Spindle	395mm	-	13t	mechanical
KL-0040-2241	2369826	M16	Pressure Spindle	350mm	Ø 20,5	13t	hydraulic 10t
KL-0040-2242-1	2369850	M16	Pull Spindle	590mm	380mm	13t	hydraulic 10t
KL-0039-1916-1	2360918	M16	Pull Spindle	590mm	390mm	13t	hydraulic 17t
KL-0039-2018-1	2362252	M18	Pull Spindle	395mm	-	16t	mechanical
KL-0040-2545-1	2016885	M18	Pull Spindle	650mm	450mm	16t	hydraulic 17t
KL-0039-2020-1	2694468	M20	Pull Spindle	395mm	-	20t	mechanical
KL-0039-1930	2088185	M20	Pressure Spindle	350mm	Ø 20,5	20t	hydraulic 17t
KL-0039-1931	2088223	M20	Pressure Spindle	405mm	Ø 20,5	20t	hydraulic 17t
KL-0040-3008	1751603	M20	Pull Spindle	290mm	-	20t	mechanical
KL-0039-2030	2362376	M20	Pull Spindle	420mm	-	20t	mechanical
KL-0039-1920-1	1984330	M20	Pull Spindle	590mm	390mm	20t	hydraulic 17t
KL-0040-2846-1	2370972	M20	Pull Spindle	590mm	370mm	20t	hydraulic 28t
KL-0040-2812-1	2370824	M24	Pull-/Pressure Spindle	590mm	370mm	28t	hydraulic 28t
KL-0040-2841-1	2370948	M24	Pull Spindle	650mm	430mm	28t	hydraulic 28t

Quick-Action Clamping Nut

KL-No.	Code	Thread	Type	Overall length
KL-0039-2110-2	2915286	M10x1,25	Quick-Action Clamping Nut	35mm
KL-0039-2112-2	2915367	M12	Quick-Action Clamping Nut	35mm
KL-0039-2114-2	2915502	M14	Quick-Action Clamping Nut	35mm
KL-0039-2116-2	2915669	M16	Quick-Action Clamping Nut	40mm
KL-0039-2120-2	2915758	M20	Quick-Action Clamping Nut	40mm



Clamping- / Pressure Nut

KL-No.	Code	Thread	Type	Overall length
KL-0039-1910-2	2360438	M10x1,25	Clamping Nut	31mm
KL-0039-1912-3	2705664	M12	Clamping Nut	15,5mm
KL-0039-1912-2	2360543	M12	Clamping Nut	31mm
KL-0043-1105	1860739	M14	Clamping Nut	17mm
KL-0039-1914-2	2360780	M14	Clamping Nut	31mm
KL-0040-2543-2	1858629	M14	Clamping Nut	31mm
KL-0039-1916-2	2361027	M16	Clamping Nut	35mm
KL-0039-1916-3	2727633	M16	Clamping Nut	65mm
KL-0039-1918-2	2361140	M18	Clamping Nut	35mm
KL-0040-3009	1751611	M20	Clamping Nut	50mm
KL-0041-3812	2372886	M20	Conical Clamping Nut	70mm
KL-0039-1920-4	2361264	M20	Conical Clamping Nut	80mm
KL-0040-2812-3	2370832	M24	Clamping Nut	53mm
KL-0040-2812-2	2144700	M24	Conical Clamping Nut	70mm
KL-0040-2812-5	3052346	M24	Clamping Nut	73mm



Use of Spindle Spindle, Quick-Action Clamping Nut, Clamping-/Pressure Nut



Part No.	Thread	Drive (Spindle and Nut)															
		Hydraulic Drive										Mechanical Drive					
		KL-0039-1910	KL-0039-2110	KL-0039-2112	KL-0039-2114	KL-0039-2116	KL-0040-2242	KL-0039-2120	KL-0039-1920	KL-0040-2812	KL-0040-2841	KL-0039-2210	KL-0039-2212	KL-0039-2214	KL-0039-2216	KL-0039-2018	KL-0039-2220
Pull Spindle																	
KL-0039-1910-1	M10x1.25	X	X														
KL-0039-2010-1	M10x1.25										X						
KL-0039-1912-1	M12			X													
KL-0039-2012-1	M12											X					
KL-0039-1914-1	M14				X												
KL-0039-2014-1	M14												X				
KL-0039-1916-1	M16					X											
KL-0039-2016-1	M16													X			
KL-0040-2242-1	M16						X										
KL-0039-2018-1	M18															X	
KL-0039-1920-1	M20							X	X								
KL-0039-2020-1	M20																X
KL-0040-2812-1	M24										X						
KL-0040-2841-1	M24										X						
Quick-Action Clamping Nut																	
KL-0039-2110-2	M10x1.25		X								X						
KL-0039-2112-2	M12			X								X					
KL-0039-2114-2	M14				X								X				
KL-0039-2116-2	M16					X								X			
KL-0039-2120-2	M20							X									X
Clamping Nut																	
KL-0039-1910-2	M10x1.25	X									X						
KL-0039-1912-2	M12											X					
KL-0039-1914-2	M14												X				
KL-0039-1916-2	M16					X								X			
KL-0039-1918-2	M18														X (2)		
KL-0040-3009	M20								X								X
KL-0040-2812-3	M24										X	X					



KL-0040-2812-5 (Code 3052346)

Pressure Nut, M24, Ø 20.5mm



KL-0174-3701 (Code 3066096)

Thrust Piece, short

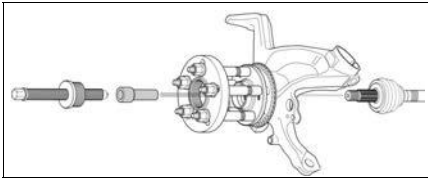
Suitable for Pressure Nut KL-0040-2812-5.

The thrust piece is needed to push cardan shafts out of the wheel hub.



Technical Data:

Overall length:	34.5mm
External Ø:	30mm
Internal Ø:	20.5mm

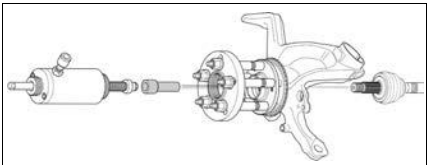


KL-0174-856

(Code 2328097)

Thrust Piece for Drive Shafts

Designed to press out drive shafts. Used in conjunction with the tools of the **KL-0174... Series** and mechanical pressure spindles with a pin Ø of 14mm.



KL-0039-1935

(Code 2178990)

Thrust Piece

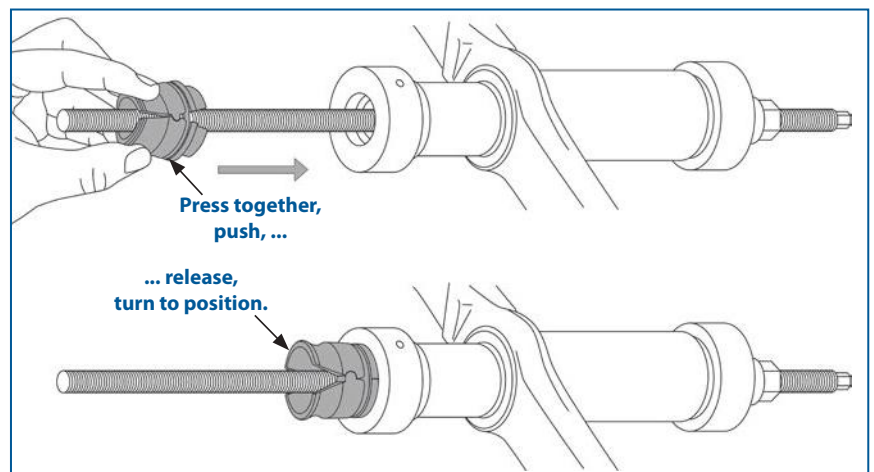
This tool is necessary for pressing out drive shafts. It is used in conjunction with the **KL-0174... Puller Series**, the **KL-0040-2500** hydraulic cylinder and the **KL-0039-1930** pressure spindle with pin Ø 20mm.

KL-0039-21.. QUICK-ACTION CLAMPING NUT

Universally suitable for the tools of the **KL-0039... Series Wheel Bearing/Silenbloc Tool with pull spindles** having either an **M10x1.25, M12, M14, M16 or M20** retaining thread.

Thanks to their special design, the quick-action clamping nuts can be adjusted with ease - simply by sliding them on the pull spindle without any rotational movement. This allows for short assembly/clamping times as well as for quick and easy adjustment and simple operation of the tool.

Note: To prevent the quick-release nut from opening under load, secure it by the collar together with a suitable pressure/support sleeve, an adapter, or a retaining ring.



5 pcs.

KL-0039-23 (Code 3022269) (German Utility Model)

Set of Quick-Action Clamping Nuts

Recommended Accessory:

KL-0039-2190 Retaining Ring for M10, M12 and M14 Quick-Action Clamping Nuts

KL-0039-2191 Retaining Ring for M16 and M20 Quick-Action Clamping Nuts

KL-0039-2192 Conical Adaptor for M20 Quick-Action Clamping Nut

Scope of Delivery:

KL-0039-23 Set of Quick-Action Clamping Nuts

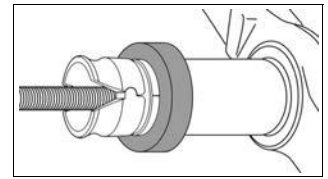
Part No.	Description	Qty
KL-0039-2110-2	Quick-Action Clamping Nut, M10x1.25	1
KL-0039-2112-2	Quick-Action Clamping Nut, M12	1
KL-0039-2114-2	Quick-Action Clamping Nut, M14	1
KL-0039-2116-2	Quick-Action Clamping Nut, M16	1
KL-0039-2120-2	Quick-Action Clamping Nut, M20	1



KL-0039-2190 [Code 3087026]

Retaining Ring for M10, M12 and M14 Quick-Action Clamping Nuts

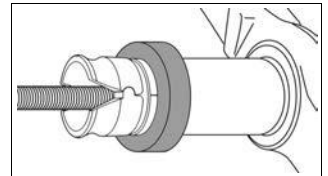
The retaining ring is needed when a quick-action clamping nut having either an M10, M12 or M14 retaining thread is to be used without the **KL-0039-1011** adaptor. Thanks to this ring, the respective clamping nut can quickly be adjusted on an M10, M12 or M14 pull spindle - simply by sliding it on the spindle without any rotational movement. This allows for short assembly/clamping times as well as for quick and easy adjustment and simple operation of the tool.



KL-0039-2191 [Code 3086992]

Retaining Ring for M16 and M20 Quick-Action Clamping Nuts

The retaining ring is needed when a quick-action clamping nut having either an M16 or M20 retaining thread is to be used without the **KL-0039-1002** adaptor. Thanks to this ring, the respective clamping nut can quickly be adjusted on an M16 or M20 pull spindle - simply by sliding it on the spindle without any rotational movement. This allows for short assembly/clamping times as well as for quick and easy adjustment and simple operation of the tool.



KL-0039-2192 [Code 3087034]

Conical Adaptor for M20 Quick-Action Clamping Nut

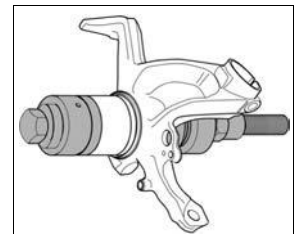
The conical adaptor allows the **KL-0039-2120-2** quick-action clamping nut to be quickly adjusted on the **KL-0039-1920-1** pull spindle - simply by sliding it on the spindle without any rotational movement. This allows for short assembly/clamping times, as well as quick and easy adjustment and simple operation of the tool. A very useful complement to the **KL-0041-380 EA** wheel hub puller and **KL-0041-740 E** wheel bearing tool set.



KL-0039-1011 [Code 2179202]

Retaining Adaptor for Mechanical Spindle

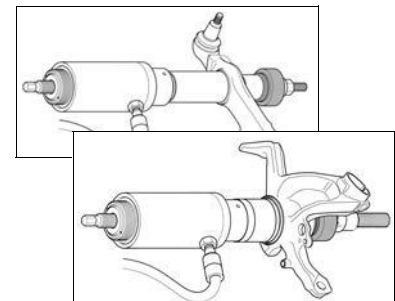
This adaptor is needed to use the mechanical drive in conjunction with the various press/support sleeves of the **KL-0039-..** and **KL-0043-.. Series**. The built-in ball bearing allows for accurate and professional working, even under intensive load.



KL-0039-1002 [Code 1975447]

Retaining Adaptor, for Clamping Nut and Pressure Spindle

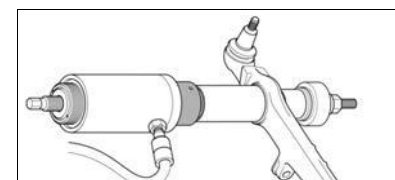
This adaptor is needed to use the clamping nut and pressure spindle in conjunction with the various press/support sleeves of the **KL-0039-..** and **KL 0043-.. Series**. Retaining Ø for clamping nut or pressure spindle: 20mm.



KL-0039-1003 [Code 1975455]

Retaining Adaptor, for Hydr. Cylinder

This adaptor is needed to use the **KL-0040-2500** Hydraulic Cylinder in conjunction with the various press/support sleeves of the **KL-0039-..** and **KL-0043-..Series**.



Technical Data:

Connection thread:	M42 x 2
--------------------	---------



4 pcs.



Technical Data:

Length of Pull Spindle:	420mm
Load max.:	20t

Scope of Delivery:

KL-0039-801 C Mechanical Drive for Wheel Hub Tools

Part No.	Description	Qty
KL-0039-2030	Pull Spindle M20	1
KL-0039-2120-2	Quick-Action Clamping Nut M20	1
KL-0039-1002	Retaining adapter for clamping nut M20 with O-Ring	1
KL-0039-1011	Retaining adapter for mechanical spindle	1

KL-0039-801 C

[Code 3290255]

Mechanical Drive for Wheel Hub Tools

Mechanical drive for the wheel hub and wheel bearing tool kits **KL-0039-.. series**, **KL-0041-4. series**, and **KL-0041-380 A**.

The mounting adapter with integrated ball bearing, which is included in the kit, enables simple and force-optimised working.

The special quick-release nut allows the adjustment on the draw spindle without a rotary movement but only by sliding.

This results in very short assembly or clamping times as well as simple and fast operation or adjustment.

Note:

- To prevent the quick-release nut from opening under load, secure it by the collar together with a suitable pressure/support sleeve, an adapter, or a retaining ring.
- To drive **KL-0041-380 A**, only the spindle - **KL-0039-2030**, and the mounting adapter - **KL-0039-1011** are required.



2 pcs.

KL-0040-2592

[Code 2370638]

Safety Belt for Mechanical Pulling Devices

Thanks to the safety belt which is fastened to the vehicle and to a mechanical pulling device from the **KL-0039-..Series**, the latter can be secured against falling.

Scope of Delivery: KL-0040-2592 Safety Belt for Mechanical Pulling Devices

Part No.	Description	Qty
KL-0040-2590	Safety Belt for Hydraulic Cylinder 17t	1
KL-0040-2591	Safety Belt Adaptor for Mechanical Pulling Device	1



3 pcs.

KL-0174-911

[Code 2405504]

Upgrade Kit (Drive Shaft Removal)

Designed to press out drive shafts. The kit is used with a puller of the **KL-0174-.. Series** and the Hydraulic Cylinder **KL-0040-2500**. By the use of the 17t hydraulic cylinder even bonded or very heavily seized drive shafts can be pressed out quickly and without any trouble.

Scope of Delivery: KL-0174-911 Upgrade Kit (Drive Shaft Removal)

Part No.	Description	Qty
KL-0174-559	Adaptor 2 1/4"-14 UNS to 2 1/4"-14 UNS	1
KL-0039-1930	Pressure Spindle M20x350mm, with O-Ring	1
KL-0039-1935	Thrust Piece	1



4 pcs.

KL-0039-802

[Code 2173921]

Hydraulic Drive Kit without Hydr. Cyl.

This kit is designed to hydraulically operate the wheel bearing tool sets of the **KL-0039-... Series** for heavily seized wheel bearings. The special design of the two retaining adaptors ensures accurate and safe guidance and centring of the hydraulic cylinder and clamping nut relative to the wheel bearing tool.

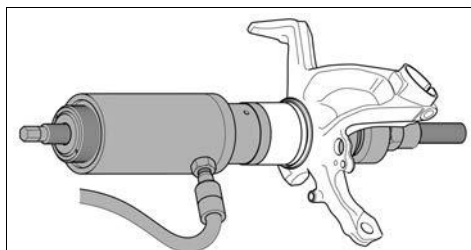
Required Drive Parts:

KL-0040-2500 Hydraulic Cylinder 17t, **KL-0215-35 M25** Hydraulic Pump

Scope of Delivery:

KL-0039-802 Hydraulic Drive Kit without Hydraulic Cylinder

Part No.	Description	Qty
KL-0039-1002	Retaining Adaptor with O-Rings, for Clamping Nut and Pressure Spindle	1
KL-0039-1003	Retaining Adaptor with O-Rings, for Hydraulic Cylinder	1
KL-0039-1920-1	Pull Spindle M20	1
KL-0040-3009	Clamping Nut M20	1



Hydraulic Cylinder 10t + Accessories

KL-0040-2200 (Code 2369540)

Hydraulic Cylinder, 10t

10 t

Due to its special design as a hollow piston cylinder, the **KL-0040-2200** hydraulic cylinder (10t) can be used to perform pulling and pushing operations in conjunction with the corresponding spindles available as accessories.

Necessary Drive Parts: KL-0215-35 M22 Hydraulic Pump

Technical Data:

Maximum admissible force:	105.8kN (10t)
Maximum stroke:	45mm
Maximum oil pressure:	700bar
Maximum volume of oil:	75.91cm ³
Piston area:	15.11cm ²
Thread in tubular piston:	M16/Ø 16.5mm
Retaining thread (pushing side):	2¼"-14 UNS
Retaining thread (pulling side):	M42x2
Cylinder outer diameter:	69mm
Overall Length (piston retracted):	217.5mm
Overall Length (piston extended):	262.5mm
Hydraulic fluid connection thread:	3/8" NPT
Weight:	4.65kg



Range of Use:

In conjunction with various GEDORE Automotive tools, the hydraulic cylinder can be used for the removal and installation of drive shafts, silentblocs and suspension ball joints.

KL-0215-35 M22 (Code 2478641)

Hydraulic Hand Pump

5 pcs.

10 t

The **KL-0215-35 M22** hydraulic hand pump is designed to be used as a drive for the hydraulic cylinders **KL-0040-2200**.

When operating the pump, the hydraulic pressure and necessary force can be monitored at pressure gauge (supplied with the tool set). The pressure gauge features an additional tonne scale specifically adapted to our hydraulic cylinder (10t).

Scope of Delivery: KL-0215-35 M25 Hydraulic Hand Pump

Part No.	Description	Qty
KL-0215-33	Hydraulic Hand Pump (without hose)	1
KL-0215-31	Hydraulic Hose, 1.8m, with Hose-Side Connector	1
KL-0215-322	Cylinder-Side Connector, 1/4"NPT	1
KL-0040-2520	Adaptor, 3/8" NPT to 1/4" NPT	1
KL-0040-2529	Pressure Gauge	1

Technical Data:

Weight:	5kg
Max. pressure:	700bar



KL-0040-2229 (Code 2369818)

Pressure Gauge for KL-0040-2200, with 1/4" NPT Connection Thread

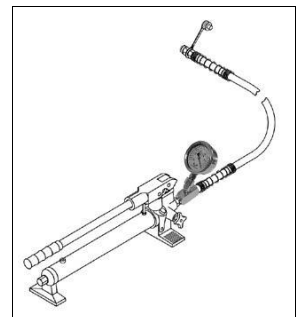
10 t

Suitable for KL-0215-33.

The pressure gauge can be screw-connected between the hydraulic pump and the hydraulic hose so as to allow the hydraulic pressure to be monitored during operation. The pressure gauge features an additional tonne scale that is specifically adapted to our hydraulic cylinder **KL-0040-2200**.

Technical Data:

Measuring Range:	1,000bar
Pressure gauge Ø:	71mm
Connection thread:	1/4" NPT

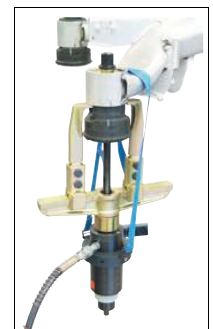


KL-0040-2290 (Code 2238985)

Safety Belt for Hydraulic Cylinder (10t)

10 t

Thanks to the **KL-0040-2290** safety belt which is fastened to the vehicle and the **KL-0040-2200** hydraulic cylinder, the latter can be secured against falling.



Hydraulic Cylinder 17t + Accessories

6 pcs.

17t

KL-0040-175 B

(Code 2933292)

Hydraulic Drive Tool Kit with Safety Belt



This tool kit enables the controlled extraction of very tight-fitting/seized injector nozzles. It is used in conjunction with the injector nozzle puller set **KL-0186-14 EA** and a hydraulic pump equipped with a GEDORE Automotive pressure gauge. The hydraulic cylinder with shoulder nut together with a special pull spindle (part no. ending with H) is placed onto the extraction bridge instead of the mechanical drive. The special pressure gauge of the hydraulic pump allows the applied force to be monitored during the extraction process. The safety belt included in the kit is fixed to the vehicle and to the hydraulic cylinder to secure the latter against falling.

Necessary Accessories: KL-0215-35 M25 Hydraulic Pump

Technical Data: KL-0040-170 A

Maximum admissible force:	170kN (17t)
Maximum stroke:	15mm
Maximum oil volume:	41cm ³
Maximum oil pressure:	700bar
Piston area:	27cm ²
Cylinder outer diameter:	79mm
Cylinder overall height, (piston retracted):	89mm
Cylinder overall height, (piston extended):	104mm
Through hole in tubular piston:	Ø 16.5mm
Hydraulic oil connection:	3/8"-18NPT
Weight:	2.7kg

Technical Data: KL-0583-1005 HA

Connection thread:	M17x1
Length:	315mm

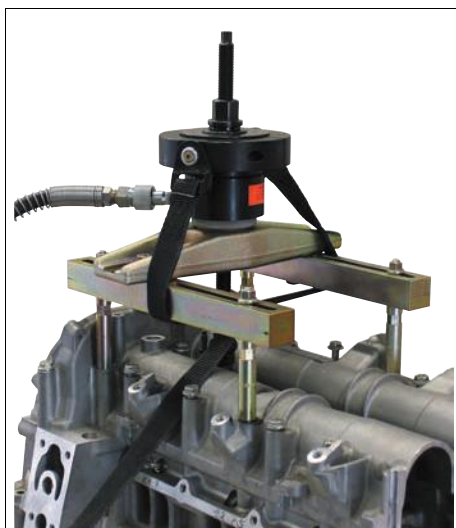
Technical Data: KL-0583-1032 H

Connection thread:	M14x1.5
Length:	315mm

Scope of Delivery:

KL-0040-175 B Hydraulic Drive Tool Kit with Safety Belt

Part No.	Description	Qty
KL-0040-1700	Hydraulic Cylinder, 17t (short design)	1
KL-0040-1741-2	Shoulder Nut, M16x1.5	1
KL-0040-1790	Safety Belt	1
KL-0583-1005 HA	Pull Spindle, M17x1, with Nut, 315mm long	1
KL-0583-1032 H	Pull Spindle, M14x1.5, 315mm long	1



17t

KL-0040-2500

(Code 1751441)

Hydraulic Cylinder, 17t



Thanks to its special design as a hollow piston cylinder, the **KL-0040-2500** hydraulic cylinder (17t) can be used to perform pulling as well as pushing operations, in conjunction with the corresponding spindle (available separately as accessories).

Necessary Drive Parts:

KL-0215-35 M25 Hydraulic Pump

Technical Data:

Maximum admissible force:	170kN (17t)
Maximum stroke:	45mm
Maximum oil pressure:	700bar
Maximum volume of oil:	122cm ³
Piston area:	27cm ²
Thread in hollow piston:	M20
Retaining thread (pushing side):	2¼"-14 UNS
Retaining thread (pulling side):	M42x2
Cylinder external diameter:	80mm
Cylinder overall length (piston retracted):	202mm
Cylinder overall length (piston extended):	247mm
Hydraulic fluid connection thread:	3/8" NPT
Weight:	5.2kg

Range of Use:

In conjunction with various GEDORE Automotive tools, the 17t hydraulic cylinder **KL-0040-2500** can be used for the removal and installation of drive shafts, wheel hubs, wheel bearings, silentblocs and suspension ball joints.

KL-0215-35 M25 (Code 2478641)

Hydraulic Hand Pump

The **KL-0215-35 M25** hydraulic hand pump is designed to be used as a drive for the hydraulic cylinders **KL-0040-2500** and **KL-0040-1700** (included in **KL-0040-175 B**) respectively.

When operating the pump, the hydraulic pressure and necessary force can be monitored at pressure gauge (supplied with the tool set). The pressure gauge features an additional tonne scale specifically adapted to our hydraulic cylinder (17t).

Scope of Delivery: KL-0215-35 M25 Hydraulic Hand Pump

Part No.	Description	Qty
KL-0215-33	Hydraulic Hand Pump (without hose)	1
KL-0215-31	Hydraulic Hose, 1.8m, with Hose-Side Connector	1
KL-0215-322	Cylinder-Side Connector, 1/4" NPT	1
KL-0040-2520	Adaptor, 3/8" NPT to 1/4" NPT	1
KL-0040-2529	Pressure Gauge	1

5 pcs.

17 t



Technical Data:

Weight:	7.5kg
Max. pressure:	700bar

KL-0215-36 M25 (Code 2478706)

Hydraulic Pump (Pneumatic)

The pneumatic hydraulic pump **KL-0215-36 M25** can be used to drive a hydraulic cylinder.

Compressed air is used to power the hydraulic pump.

The pump is operated by a foot pedal with 3 functions for: advance/hold/retract.

Advantage:

Both hands free to work.

Scope of Delivery: KL-0215-36 M25 Hydraulic Pump (Pneumatic)

Part No.	Description	Qty
KL-0215-360	Hydraulic Pump (without Hose)	1
KL-0215-362	Hydraulic Hose, 2.5m, with Hose-Side Coupling	1
KL-0215-322	Cylinder-Side Coupling, 1/4" NPT	1
KL-0040-2520	Adaptor, 3/8" NPT to 1/4" NPT	1
KL-0040-2529	Pressure Gauge	1

5 pcs.

17 t



Technical Data:

Maximum Pressure:	700 bar
Operating Pressure:	8-12 bar
Weight:	8kg

KL-0040-2529 (Code 1751484)

Pressure Gauge for KL-0040-2500, with 1/4" NPT Connection Thread

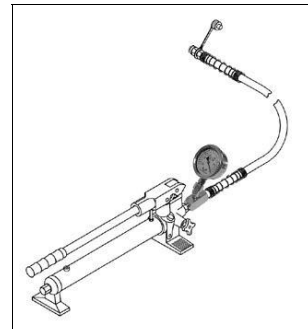
Intended for use with KL-0215-33.

The pressure gauge is designed to be screw-fitted between the hydraulic pump and the hydraulic hose so as to allow the hydraulic pressure to be monitored during operation. The pressure gauge features an additional tonne scale which is specifically adapted to our hydraulic cylinder **KL-0040-2500** and **KL-0040-1700**.

Technical Data:

Measuring Range:	1,000bar
Pressure Gauge Ø:	71mm
Connection Thread:	1/4" NPT

17 t

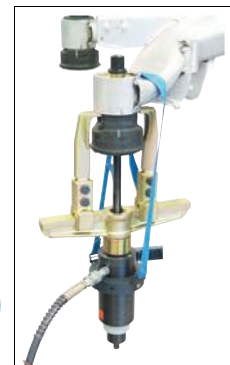


KL-0040-2590 (Code 1804073)

Safety Belt for Hydraulic Cylinder (17t) KL-0040-2500

Thanks to the **KL-0040-2590** safety belt which is fastened to the vehicle and to the **KL-0040-2500** hydraulic cylinder, the latter can be secured against falling.

17 t





17 t

KL-0040-258 A (Code 2707497) Retaining Device for Hydraulic Cylinder KL-0040-2500

The **KL-0040-258 A** retaining device is used in conjunction with a transmission jack (Plunger Ø 30mm) thus allowing for the easy and trouble-free operation of all those GEDORE Automotive tools that are driven by the **KL-0040-2500** Hydraulic Cylinder.

Recommended Accessory:

- KL-0040-2881** Clamp Ring
(to extend the use of the device to Hydraulic Cylinder **KL-0040-2800**)
- KL-0040-2571** Adaptor Sleeve, Ø 25mm

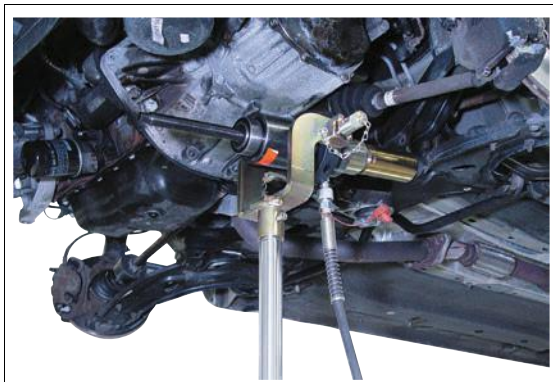
Technical Data:

Retaining Ø:	30mm
Weight:	2.6kg

Scope of Delivery:

KL-0040-258 A Retaining Device for Hydraulic Cylinder KL-0040-2500

Part No.	Description	Qty
KL-0040-2580 A	Retaining Device without Clamp Ring	1
KL-0040-2587	Clamp Ring for Hydraulic Cylinder	1



17 t

KL-0040-2571 (Code 2915103) Adaptor Sleeve, Ø 25mm

This adaptor is needed to use the retaining device **KL-0040-258 A** or the supporting device for control arm **KL-0145-120 A** in conjunction with a transmission jack having a plunger with Ø of 25mm.



Hydraulic Cylinder 28t + Accessoires



28 t

KL-0040-2800 (Code 2016893) Hydraulic Cylinder, 28t

Thanks to its special design as a hollow piston cylinder, the **KL-0040-2800** Hydraulic Cylinder (28t) can be used to perform pulling as well as pushing operations, in conjunction with the corresponding spindles available as accessories.

Range of Applications:

In conjunction with various GEDORE Automotive tools, the Hydraulic Cylinder **KL-0040-2800** can be used for the removal and installation of drive shafts, wheel hubs, wheel bearings, silentblobs and suspension ball joints.

Required Accessories:

- KL-0215-35 M28** Hydraulic Pump

Technical Data:

Maximum admissible force:	285kN (28t)
Maximum stroke:	50mm
Maximum volume of oil:	216.3cm ³
Maximum oil pressure:	700bar
Piston area:	40.6cm ²
Thread in tubular piston:	M24
Retaining thread (pushing side):	2 3/4"-16 UNS
Retaining thread (pulling side):	M42x2
Cylinder outer diameter:	99mm
Cylinder overall length (piston retracted):	235mm
Cylinder overall length (piston extended):	285mm
Hydraulic fluid connection thread:	3/8" NPT
Weight:	9.6kg



KL-0215-35 M28 (Code 2478676) Hydraulic Hand Pump

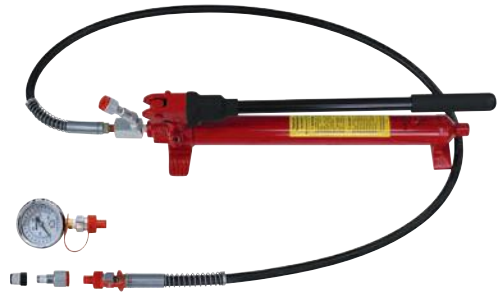
The **KL-0215-35 M28** hydraulic hand pump is designed to be used as a drive for the hydraulic cylinder **KL-0040-2800**. While operating the pump, the hydraulic pressure and necessary force can be monitored at pressure gauge (supplied with the tool set). The pressure gauge features an additional tonne scale which is specifically adapted to our hydraulic cylinder (28t).

Scope of Delivery: KL-0215-35 M28 Hydraulic Hand Pump

Part No.	Description	Qty
KL-0215-33	Hydraulic Hand Pump (without hose)	1
KL-0215-31	Hydraulic Hose, 1.8m, with Hose-Side Connector	1
KL-0215-322	Cylinder-Side Connector, 1/4" NPT	1
KL-0040-2520	Adaptor, 3/8" NPT to 1/4" NPT	1
KL-0040-2829	Pressure Gauge	1

5 pcs.

28 t



Technical Data:

Weight:	7.5kg
Max. Pressure:	700bar

KL-0215-36 M28 (Code 2478730) Hydraulic Pump (Pneumatic)

The pneumatic hydraulic pump **KL-0215-36 M28** is designed to be used as a drive for hydraulic cylinder. Compressed air is used to power the hydraulic pump. The pump is operated by a foot pedal with 3 positions - for pumping, holding and releasing.

Advantage:

Both hands free to work.

Scope or Delivery: KL-0215-36 M28 Hydraulic Pump (Pneumatic)

Part No.	Description	Qty
KL-0215-360	Hydraulic Pump (without Hose)	1
KL-0215-362	Hydraulic Hose, 2.5m, with Hose-Side Coupling	1
KL-0215-322	Cylinder-Side Coupling, 1/4" NPT	1
KL-0040-2520	Adaptor, 3/8" NPT to 1/4" NPT	1
KL-0127-1002	Fitting	1
KL-0040-2829	Pressure Gauge	1

5 pcs.

28 t



Technical Data:

Maximum Pressure:	700bar
Operating Pressure:	8-12bar
Weight:	8kg



KL-0040-2829 (Code 2231301) Pressure Gauge for KL-0040-2800, with 1/4" NPT Connection Thread

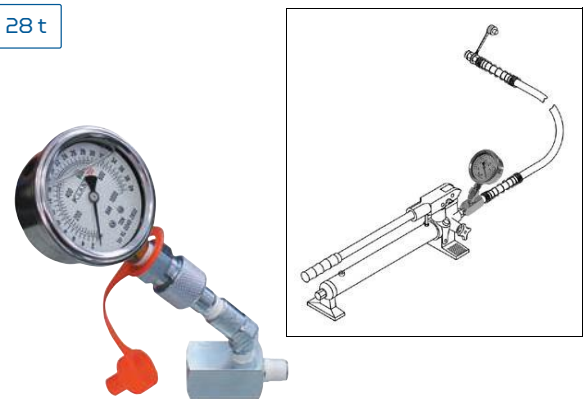
Suitable for KL-0215-33.

The pressure gauge can be screw-connected between the hydraulic pump and the hydraulic hose so as to allow the hydraulic pressure to be monitored during operation. The pressure gauge features an additional tonne scale that is specifically adapted to our hydraulic cylinder **KL-0040-2800**.

Technical Data:

Measuring Range:	1,000bar
Pressure Gauge Ø:	71mm
Connection Thread:	1/4" NPT

28 t



KL-0040-2890 (Code 2371049) Safety Belt for Hydraulic Cylinder (28t) KL-0040-2800

Thanks to the **KL-0040-2890** safety belt which is fastened to the vehicle and the **KL-0040-2800** hydraulic cylinder, the latter can be secured against falling.

28 t





28 t

KL-0040-2881

[Code 2922843]

Clamp Ring for Hydraulic Cylinder KL-0040-2800

The **KL-0040-2881** clamp ring is needed for using the **KL-0040-2800** Hydraulic Cylinder.

Required Accessory:

KL-0040-258 A Retaining Device for Hydraulic Cylinder



KL-0040-2520

[Code 1787136]

Adaptor, 3/8", NPT to 1/4" NPT

Suitable for GEDORE Automotive, Longus, Rodcraft etc.

If an already existing hydraulic pump is used as a drive for one of our **KL-0040-..** GEDORE Automotive hydraulic cylinders, it is important that the hydraulic pump is fitted with a hose or coupling having a 3/8" NPT-connection. If the pump has a different connection size, a thread adaptor will be needed.



KL-0215-321

[Code 1880462]

Coupling Half, 1/4" (Hose Side)

Technical Data:

Coupling:	1/4"
-----------	------



KL-0215-322

[Code 1787241]

Coupling Half, (Cylinder Side)

Technical Data:

Coupling:	1/4"
-----------	------



4 pcs.

KL-0039-1161 E

[Code 2842777]

Press Frame Kit, without Drive, in a Foam Insert

Universally suitable.

Indispensable kit for pressing in and pressing out (mechanical or hydraulic) suspension ball joints, bushings etc. Used in conjunction with the tools of the **KL-0039-..Series**.

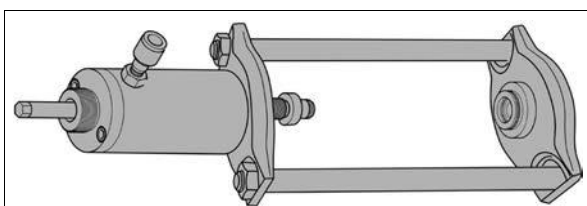
Technical Data:

Inner width:	115mm
Inner length 1:	275mm
Inner length 2:	350mm
Maximum load capacity:	12t
Cylinder connection thread:	2¼"-14 UNS

Scope of Delivery:

KL-0039-1161 E Press Frame Kit, without Drive, in a Foam Insert

Part No.	Description	Qty
KL-0039-1140	Press Frame (Lightweight, Short Design)	1
KL-0039-1153	Press Frame Rod, M18, 375mm long	2
KL-4999-1318	Foam Insert for Press Frame Kit	1



KL-0039-1140 (Code 2178923)

Press Frame (Lightweight, Short Design)

Universally applicable.

Short design, without drive.

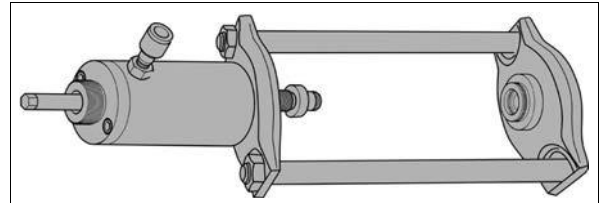
Recommended Accessory: KL-0039-115 Frame Bars (Pair), 350mm long

Technical Data:

Inner width:	115mm
Inner length:	275mm
Maximum load capacity:	12t
Cylinder connection thread:	2 1/4"-14 UNS
Weight:	4.7kg

Scope of Delivery: KL-0039-1140 Press Frame (Lightweight, Short Design)

Part No.	Description	Qty
KL-0039-114	Frame Bars (pair), 285mm long, with Hex Nuts	1
KL-0039-1144	Base Plate, 2 1/4"-14 UNS	2
KL-0039-1105	Adaptor with O-Ring, 2 1/4"-14 UNS to Ø 30mm	1



KL-0039-1144 V (Code 2178923)

Base Plate 2 1/4"-14 UNS Reinforced

By replacing the two base plates on the press frame **KL-0039-1140** with the reinforced version **KL-0039-1144 V**, it can easily be loaded up to 17t.



KL-0039-115 (Code 2293889)

Frame Bars (Pair), 350mm long, with Hex Nuts

Used to adjust the press frame **KL-0039-1140** to an internal length of 350mm. Required, for example, when using a long press sleeve and a long support sleeve of the **KL-0039-17.. Series**.

Scope of Delivery: KL-0039-115 Frame Bars (Pair), 350mm long, with Hex Nuts

Part No.	Description	Qty
KL-0039-1153	Frame Bar, M18, 375mm (long)	2
KL-0049-3004	Hex Nut, M18	2

6 pcs.



KL-0326-1000 (Code 1859528)

Press Frame

Universally applicable.

The press frame, in conjunction with the appropriate sleeve set and the necessary drive parts, enables the rapid removal and installation of silent blocks and support/guide joints directly on the vehicle. Time-consuming dismantling of the corresponding component is not necessary for this. Together with a pressure spindle, the special press frame makes the use of a draw spindle superfluous.

Scope of Delivery: KL-0326-1000 Press Frame

Part No.	Description	Qty
KL-0326-1001	Press Frame	1
KL-0326-1002 B	Stabilising Bracket	1
KL-0326-1003-1	Cheese Head Screw, M12x20	2

4 pcs.



KL-0039-1105 (Code 2197596)

Adaptor with O-Ring, 2 1/4"-14 UNS to Ø 30mm

This adaptor is needed to use the various press/support sleeves of the **KL-0039-.. Series** in conjunction with a press frame of the **KL-0039-.. Series**.

Technical Data:

Thread:	2 1/4"-14 UNS to Ø 30mm
---------	-------------------------



Retaining thread of hydraulic cylinder



Retaining thread of tool set

KL-0040-2855

(Code 2371030)

Adaptor, 2 1/4"-14 UNS to 2 3/4"-16 UN

The adaptor is needed to use the **KL-0040-2800** hydraulic cylinder (or any other hydraulic cylinder having a 2 3/4"-16 UN retaining thread) as a drive for the GEDORE Automotive hydraulic tools featuring a 2 1/4"-14 UNS thread.

Note:

The external thread 2 1/4"-14 UNS measured on the tool set features an internal Ø of 55.15mm
The internal thread 2 3/4"-16 UN measured on the hydraulic cylinder to be screwed in features an external Ø of 69.65mm

Technical Data:

External thread:	2 1/4"-14 UNS
Internal thread:	2 3/4"-16 UN

Retaining thread of hydraulic cylinder



Retaining thread of tool set

KL-0174-559

(Code 1753711)

Adaptor, 2 1/4"-14 UNS to 2 1/4"-14 UNS

This adaptor is needed to operate the hydraulic cylinder **KL-0040-2500** when the perforated puller plates (size 2 and size 3) having a pitch circle diameter of 90-102mm from the **KL-0174-.. Series** are to be used.

Note: Other dimensions available upon request.

Technical Data:

External thread:	2 1/4"-14 UNS
Internal thread:	2 1/4"-14 UNS



KL-4999-120 A

(Code 3254313)

MODULO Workshop Trolley/Workbench, 4 Drawers

The sturdy **MODULO KL-4999-120 A** workshop trolley/workbench (GEDORE 1507 XL) features a large, solid (30mm thick) beech multiplex worktop and four full-width drawers. Designed as a modular concept, it offers various options for different applications. For example, combined with the **KL-5501 B** stationary spring compressor and the wheel bearing/silentbloc tools/modules of our **KL-0039-Series**, it will provide you with a professional and mobile workplace for proper and cost-effective chassis and axle repairs/maintenance work in situ on or next to the vehicle. The sturdy overall design of the trolley/workbench with a specially reinforced side wall allows for quick, easy and stable attachment of the **KL-5501 B** spring compressor to the workbench. For this, the **KL-5501-211 MODULO Mounting Kit** is needed in addition.

Body:

- Dimensions: H 985 x W 1200 x D 635mm
- Beech multiplex worktop: 30mm thick, surface additionally protected by linseed oil varnish
- Worktop rear overhang allows the trolley to be parked flush against a wall
- Drawer block extends over the entire width of the trolley.
- Lateral handle allows for smooth movement and high mobility of the trolley
- Both side walls provided with Euro-standard 10 x 38mm square perforation to accept hooks and holders for the efficient storage of tools
- Sheet steel, corrosion-resistant and scratch-proof powder-coated, GEDORE blue

Drawers:

- Version with 4 drawers
- Central locking with cylinder lock
- Wide drawers (W 998mm x D 474mm), fully extendable, removable
- One-drawer-at-a-time" interlock mechanism, one-hand operation
- Ball-bearing slides with soft-close mechanism
- Load capacity per drawer: 70kg
- Sheet steel, corrosion-resistant and scratch-proof powder-coated, GEDORE blue

GEDORE high-performance chassis:

- Total load capacity in stationary use: 700kg, in mobile use: 500kg
- 2 GEDORE high-performance wheels on roller bearings (fixed castors with 200mm Ø)
- 2 GEDORE smooth-running wheels on ball bearings (swivel castors with 125mm Ø), both with total brake
- The GEDORE trapezoidal axle construction ensures smooth running of the wheels, good manoeuvrability and directional stability of the mobile workbench even at maximum load.

Possible Options:

- Can be equipped with GEDORE tool modules (1500 ES/1500 CT), max. 9 x 1/3 modules per drawer are possible
- More drawer variants available upon request
- Special colours and designs available upon request
- Supplied without tools and accessories



Technical Data:

Dimensions:	W 1200 x H 985 x D 635mm
Worktop:	W 1200 x H 30 x D 635mm
Drawer (1x):	W 998 x H 90 x D 474mm
Drawer (2x):	W 998 x H 145 x D 474mm
Drawer (1x):	W 998 x H 195 x D 474mm
Max. load per drawer:	70kg
Steering castor with brake (2x):	Ø 125mm
Fixed castor (2x):	Ø 200mm
Max. load (total):	700kg
Max. load (movable):	500kg
Weight:	125kg

Recommended Accessory:

KL-4999-1204 Drawer Divider Set, Hand Tools,
KL-4999-1205 Drawer Divider 80mm

KL-4999-121 A (Code 3254321) MODULO Workshop Trolley/Workbench, 5 Drawers

Description as for KL-4999-120 A, but with 5 drawers.

Technical Data:

Dimensions:	W 1200 x H 985 x D 635mm
Worktop:	W 1200 x H 30 x D 635mm
Drawer (4x):	W 998 x H 90mm x D 474mm
Drawer (1x):	W 998 x H 195mm x D 474mm
Drawer (1x):	W 998 x H 195mm x D 474mm
Max. load per drawer:	70kg
Steering castor with brake (2x):	Ø 125mm
Fixed castor (2x):	Ø 200mm
Max. load (total):	700kg
Max. load (movable):	500kg



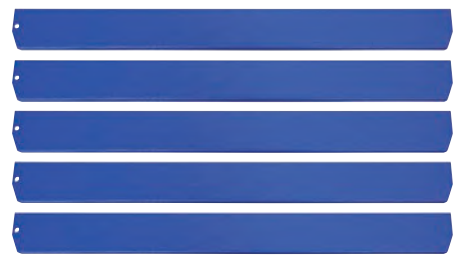
Recommended Accessory:
KL-4999-1204 Drawer Divider Set, Hand Tools,
KL-4999-1205 Drawer Divider 80mm

KL-4999-1204 (Code 3256073) MODULO Drawer Divider Set (5-pc.), Hand Tools

This 5-piece drawer divider set is specifically designed for drawers with slotted profiles as found on the MODULO KL-4999-120 A and KL-4999-121 A workshop trolley/workbench. Get your hand tools perfectly organised - simply by adapting the drawer space to its contents with these dividers. The following drawers feature specially slotted profiles allowing for easy and tools-free installation of the drawer dividers:

- The top drawer on **MODULO KL-4999-120 A**
- The four upper drawers on **MODULO KL-4999-121 A**

5 pcs.



KL-4999-1205 (Code 3256081) MODULO Drawer Divider, 80mm, with Screws

This divider is fitted to the drawer with the screws provided. Combined with the drawer inserts for our specialist tools, it helps you get the contents of the drawer clearly arranged in the MODULO KL-4999-120 A and KL-4999-121 A workshop trolley/workbench.



KL-4990-200... Plastic Storage Box

Universally applicable.

This very useful plastic box allows you to store small items and tools neatly arranged in the storage case. Transparent design for easy identification of the contents without having to open the box.

KL-4990-2001 (Code 2802074)

Dimensions:

Inner:	107x53x18mm
--------	-------------

KL-4990-2002 (Code 2836750)

Dimensions:

Inner:	107x53x40mm
--------	-------------

KL-4990-2003 (Code 2911094)

Dimension:

Inner:	138x82x27mm
--------	-------------





KL-4990-9222



KL-4990-9274



KL-4990-9322



KL-4990-9372



KL-4990-9472

KL-4990-9...

[Code 3273423]

Plastic Case

Fits many tools with foam insert.

Sturdy, stackable plastic case with a handy carrying handle for safe storage of your tools. The foam insert in the lid safely protects the contents from damage.

KL-4990-9222

[Code 3273423]

Technical Data:

External dimensions (W x H x D):	238 x 198 x 54mm
Inner dimensions (W x H x D):	223 x 140 x 41mm

KL-4990-9224

[Code 3271099]

Technical Data:

External dimensions (W x H x D):	238 x 198 x 74mm
Inner dimensions (W x H x D):	223 x 140 x 61mm

KL-4990-9272

[Code 3273458]

Technical Data:

External dimensions (W x H x D):	290 x 254 x 64mm
Inner dimensions (W x H x D):	272 x 189 x 51mm

KL-4990-9274

[Code 3273466]

Technical Data:

External dimensions (W x H x D):	290 x 254 x 89mm
Inner dimensions (W x H x D):	272 x 189 x 76mm

KL-4990-9322

[Code 3272583]

Technical Data:

External dimensions (W x H x D):	340 x 286 x 74mm
Inner dimensions (W x H x D):	321 x 215 x 61mm

KL-4990-9324

[Code 3273571]

Technical Data:

External dimensions (W x H x D):	340 x 286 x 104mm
Inner dimensions (W x H x D):	321 x 215 x 91mm

KL-4990-9372

[Code 3273628]

Technical Data:

External dimensions (W x H x D):	391 x 304 x 104mm
Inner dimensions (W x H x D):	370 x 231 x 91mm

KL-4990-9374

[Code 3273636]

Technical Data:

External dimensions (W x H x D):	391 x 304 x 134mm
Inner dimensions (W x H x D):	370 x 231 x 121mm

KL-4990-9472

[Code 3273644]

Technical Data:

External dimensions (W x H x D):	494 x 402 x 116mm
Inner dimensions (W x H x D):	470 x 320 x 100mm

KL-4990-9474

[Code 3273660]

Technical Data:

External dimensions (W x H x D):	494 x 402 x 156mm
Inner dimensions (W x H x D):	470 x 320 x 141mm

KL-4999-1390

[Code 2840537]

Storage Case with Insert (without tools)

Outer dimension: 500x420x175mm.
Foam lid insert 20mm.



KL-4999-1390

KL-4999-1391

[Code 2840553]

Storage Case with Insert (without tools)

Outer dimension: 500x420x175mm.
Foam lid insert 50mm.



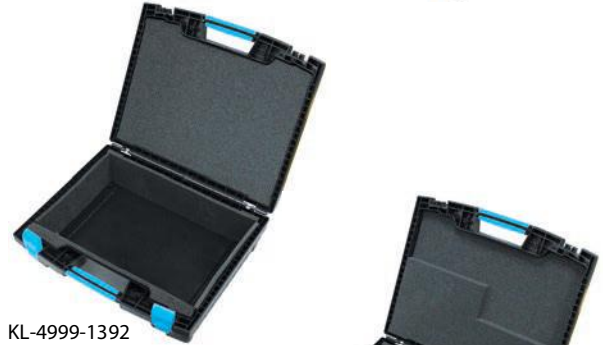
KL-4999-1391

KL-4999-1392

[Code 2840588]

Storage Case with Insert (without tools)

Outer dimension: 500x420x175mm.
Foam lid insert 45mm.



KL-4999-1392

KL-4999-1393

[Code 2840618]

Storage Case with Insert (without tools)

Outer dimension: 500x420x175mm.
Foam lid insert 50mm with cut-out (25mm).



KL-4999-1393

KL-4999-1394

[Code 2909383]

Storage Case with Insert (without tools)

Outer dimension: 500x420x125mm.
Foam lid insert 50mm.



KL-4999-1394

KL-4999-1395

[Code 2909421]

Storage Case with Insert (without tools)

Outer dimension: 575x420x205mm.
Foam lid insert 60mm.



KL-4999-1395

KL-4999-1396

[Code 2909456]

Storage Case with Insert (without tools)

Outer dimension: 575x420x205mm.
Foam lid insert 30mm with projection (30mm).



KL-4999-1396



Part No.	Description	Page
643	Brake Calliper Brush	68
8726	Brake Calliper File	68
224021	Ratchet Pipe Cutter niro	133
224211	Replacement Cutting Wheel	133
1.06/AS	Puller set	143
1.12/01	Wiper Arm Puller	148
1100-1.04	Universal puller assortment	144
1100-1.30	Internal extractor assortment	144
1100-1.41/2A	Separator and puller set	144
1100-1094	VDE Tool assortment HYBRID, in GEDORE L-BOXX® 136	154
125 0	Piston ring compressor	74
125 1	Piston ring compressor	74
125 2	Piston ring compressor	74
137 7-11	Grip wrench, Size 11mm	69
304 11x13	Half moon ring spanner	80
304 13x15	Half moon ring spanner	80
304 13x17	Half moon ring spanner	80
304 14x16	Half moon ring spanner	80
304 14x17	Half moon ring spanner	80
304 15x17	Half moon ring spanner	80
304 16x18	Half moon ring spanner	80
304 19x22	Half moon ring spanner	80
400 10x11	Brake Pipe Spanner	69
44 3	Pin-Type Face Spanner, Pin Ø 3mm	143
44 4	Pin-Type Face Spanner, Pin Ø 4mm	143
44 5	Pin-Type Face Spanner, Pin Ø 5mm	143
44 6	Pin-Type Face Spanner, Pin Ø 6mm	143
702 20 M	Feeler Gauge Set (20 Blades)	72
D 19 36	Special Bi-Hex Socket, waf 36mm	63
D 19 L 30	Special Bi-Hex Socket, waf 30mm	63
D 19 L 32	Special Bi-Hex Socket, waf 32mm	63
D 19 L 34	Special Bi-Hex Socket, waf 34mm	63
KL-0015 SP	Spring Compressor with Protective Inserts	17
KL-0025-11	Pair of Pressure Plates, Size 1	23
KL-0025-12	Pair of Pressure Plates, Size 2	24
KL-0025-15	Pair of Pressure Plates, Size 5	24
KL-0025-16	Pair of Pressure Plates, Size 0A	24
KL-0025-17	Pair of Pressure Plates, M-Class	24
KL-0025-20 E	Spring Compressor (Short Design) with Pressure Plates Size 1+2	23
KL-0029-100 EB	Coil Spring Pre-Compressor, in a Foam Insert	4
KL-0029-110 A	Upgrade Kit, Size 1, Size 2, Size 3, VW-Audi	5
KL-0029-120 A	Upgrade Kit, Size 2, VW-Audi	5
KL-0029-122	Upgrade Kit for KL-0029-120 A, VW-Audi	5
KL-0029-130 A	Upgrade Kit, Size 3, VW-Audi	6
KL-0029-1303	Shock Absorber Holding-Down Clamp	7
KL-0029-150	Upgrade Kit, Size 5, Ford	6
KL-0029-160 A	Upgrade Kit, Size 6 (BMW)	6
KL-0029-170	Upgrade Kit, Size 7, VW T5	6
KL-0033-10 E	Compact Internal Coil Spring Compressor, Size 2A	21
KL-0033-16	Pair of Pressure Plates, Size 0A	22
KL-0033-300 E	Holding-Down Tool Kit, in a Foam Insert	22
KL-0039-0110 K	Wheel Bearing Tool Set (Mechanical Drive)	46
KL-0039-1002	Retaining Adaptor, for Clamping Nut and Pressure Spindle	161
KL-0039-1003	Retaining Adaptor, for Hydraulic Cylinder	161
KL-0039-1011	Retaining Adaptor for Mechanical Spindle	161
KL-0039-1105	Adaptor with O-Ring, 2¼"-14 UNS to Ø 30mm	169
KL-0039-1140	Press Frame (Lightweight, Short Design)	169
KL-0039-1144 V	Base Plate 2¼"-14 UNS Reinforced	169
KL-0039-115	Frame Bars (Pair), 350mm long, with Hex Nuts	169
KL-0039-1161 E	Press Frame Kit, without Drive, in a Foam Insert	168

Part No.	Description	Page
KL-0039-1413	Centring Ring, Ø 70mm	49
KL-0039-1414	Centring Ring, Ø 75mm	49
KL-0039-1415	Centring Ring, Ø 80mm	49
KL-0039-160 E	Press/Support Sleeve Set, Ø 30-90mm, short, 45mm, in a Foam Insert	37
KL-0039-1601	Press/Support Sleeve Set Ø 30-68mm (Short Design), with Guide Pins	37
KL-0039-170 E	Press/Support Sleeve Set, Ø 30-90mm, long, 115mm, in a Foam Insert	38
KL-0039-1701	Press/Support Sleeve Set Ø 30-68mm (Long Design), with Guide Pins	38
KL-0039-1910	Pull Spindle M10x1,25 with Nut	159
KL-0039-1910-1	Pull Spindle	158
KL-0039-1910-2	Clamping Nut	158
KL-0039-1912-1	Pull Spindle	158
KL-0039-1912-2	Clamping Nut	158
KL-0039-1912-3	Clamping Nut	158
KL-0039-1914-1	Pull Spindle	158
KL-0039-1914-2	Clamping Nut	158
KL-0039-1914-5	Pull Spindle	158
KL-0039-1916-1	Pull Spindle	158
KL-0039-1916-2	Clamping Nut	158
KL-0039-1916-3	Clamping Nut	158
KL-0039-1918-2	Clamping Nut	158
KL-0039-1920	Pull Spindle M20 with Clamping Nut	159
KL-0039-1920-1	Pull Spindle	158
KL-0039-1920-4	Conical Clamping Nut	158
KL-0039-1930	Pressure Spindle	158
KL-0039-1931	Pressure Spindle	158
KL-0039-1935	Thrust Piece	160
KL-0039-2010-1	Pull Spindle	158
KL-0039-2012-1	Pull Spindle	158
KL-0039-2014-1	Pull Spindle	158
KL-0039-2016-1	Pull Spindle	158
KL-0039-2018	Pull Spindle M18 with Nut	159
KL-0039-2018-1	Pull Spindle	158
KL-0039-2020-1	Pull Spindle	158
KL-0039-2030	Pull Spindle	158
KL-0039-2110	Pull Spindle M10 with Quick-Action Clamping Nut	159
KL-0039-2110-2	Quick-Action Clamping Nut	158
KL-0039-2112	Pull Spindle M12 with Quick-Action Clamping Nut	159
KL-0039-2112-2	Quick-Action Clamping Nut	158
KL-0039-2114	Pull Spindle M14 with Quick-Action Clamping Nut	159
KL-0039-2114-2	Quick-Action Clamping Nut	158
KL-0039-2116	Pull Spindle M16 with Quick-Action Clamping Nut	159
KL-0039-2116-2	Quick-Action Clamping Nut	158
KL-0039-2120	Pull Spindle M20 with Quick-Action Clamping Nut	159
KL-0039-2120-2	Quick-Action Clamping Nut	158
KL-0039-213	Sleeve Set, Mercedes W639 Rear Axle	50
KL-0039-2190	Retaining Ring for M10, M12 and M14 Quick-Action Clamping Nuts	161
KL-0039-2191	Retaining Ring for M16 and M20 Quick-Action Clamping Nuts	161
KL-0039-2192	Conical Adaptor for M20 Quick-Action Clamping Nut	161
KL-0039-2210	Pull Spindle M10, with Collar- and Quick-Action Clamping Nut	159
KL-0039-2212	Pull Spindle M10, with Collar- and Quick-Action Clamping Nut	159
KL-0039-2214	Pull Spindle M10, with Collar- and Quick-Action Clamping Nut	159
KL-0039-2216	Pull Spindle M10, with Collar- and Quick-Action Clamping Nut	159
KL-0039-2220	Pull Spindle M10, with Collar- and Quick-Action Clamping Nut	159
KL-0039-23	Set of Quick-Action Clamping Nuts	160
KL-0039-413 K	Pulling Device for Silentbloc (Mechanical Drive)	36
KL-0039-722	Sleeve Set, Upper Suspension Ball Joint, Renault Master II / Opel/Vauxhall Movano I	35
KL-0039-732	Sleeve Set, Lower Suspension Ball Joint, Renault Master II / Opel/Vauxhall Movano I	35
KL-0039-7533	Sleeve Set, Mercedes Sprinter/VW Crafter	34
KL-0039-7535	Upgrade Kit for KL-0039-750, Mercedes Sprinter/VW Crafter	34
KL-0039-801 C	Mechanical drive for wheel hub tools	162

Part No.	Description	Page
KL-0039-802	Hydraulic Drive Kit without Hydraulic Cylinder	162
KL-0039-807 B	Support Ring Set	49
KL-0039-8131 E	Wheel Bearing Tool Set 1 (Base Set), in a Foam Insert	47
KL-0039-814 E	Wheel Bearing Tool Set 2, in a Foam Insert	48
KL-0040-175 B	Hydraulic Drive Tool Kit with Safety Belt	164
KL-0040-2200	Hydraulic Cylinder, 10t	163
KL-0040-2229	Pressure Gauge for KL-0040-2200, with 1/4" NPT Connection Thread	163
KL-0040-2241	Pressure Spindle	158
KL-0040-2242	Pull Spindle M16 with Nut	159
KL-0040-2242-1	Pull Spindle	158
KL-0040-2290	Safety Belt for Hydraulic Cylinder (10t)	163
KL-0040-2500	Hydraulic Cylinder, 17t	164
KL-0040-2520	Adaptor, 3/8", NPT to 1/4" NPT	168
KL-0040-2529	Pressure Gauge for KL-0040-2500, with 1/4" NPT Connection Thread	165
KL-0040-2543-2	Clamping Nut	158
KL-0040-2545-1	Pull Spindle	158
KL-0040-2571	Adaptor Sleeve, Ø 25mm	166
KL-0040-258 A	Retaining Device for Hydraulic Cylinder KL-0040-2500	166
KL-0040-2590	Safety Belt for Hydraulic Cylinder (17t)	165
KL-0040-2592	Safety Belt for Mechanical Pulling Devices	162
KL-0040-2800	Hydraulic Cylinder, 28t	166
KL-0040-2812	Pull Spindle M24 with Clamping Nut	159
KL-0040-2812-1	Pull-/Pressure Spindle	158
KL-0040-2812-2	Conical Clamping Nut	158
KL-0040-2812-3	Clamping Nut	158
KL-0040-2812-5	Pressure Nut	158
KL-0040-2812-5	Pressure Nut, M24, Ø 20.5mm	159
KL-0040-2829	Pressure Gauge for KL-0040-2800, with 1/4" NPT Connection Thread	167
KL-0040-2841	Pull Spindle M24 with Nut	159
KL-0040-2841-1	Pull Spindle	158
KL-0040-2846-1	Pull Spindle	158
KL-0040-2855	Adaptor, 2 1/4"-14 UNS to 2 3/4"-16 UN	170
KL-0040-2881	Clamp Ring for Hydraulic Cylinder KL-0040-2800	168
KL-0040-2890	Safety Belt for Hydraulic Cylinder (28t)	167
KL-0040-3008	Pull Spindle	158
KL-0040-3009	Clamping Nut	158
KL-0040-860	Wheel Bearing Tool Set, Ford Transit	52
KL-0040-860	Wheel Bearing Tool Set, Ford Transit	70
KL-0040-861	Upgrade Kit, Ford Transit Rear Axle	52
KL-0040-861	Upgrade Kit, Ford Transit Rear Axle	70
KL-0040-862	Upgrade Kit Ford Transit; Closed Wheel Bearings	52
KL-0040-862	Upgrade Kit Ford Transit; Closed Wheel Bearings	70
KL-0041-380 EA	Wheel Hub Puller, in a Foam Insert	53
KL-0041-3812	Conical Clamping Nut	158
KL-0041-441 C	Wheel Bearing Installation Tool, Ø 82mm	55
KL-0041-451 B	Wheel Bearing Installation Tool, Ø 85mm	55
KL-0041-461 D	Wheel Bearing Installation Tool, Ø 78/82mm	56
KL-0041-480 EA	Wheel Bearing Tool Kit, in a Foam Insert	54
KL-0041-5010	Adaptor, 2 1/4"-14 UNS to M42x2	61
KL-0041-510	Wheel Bearing Tool Kit, Mercedes-Benz Vito/Viano/Sprinter, VW Crafter	56
KL-0041-740 E	Wheel Bearing Tool Kit, in a Foam Insert	51
KL-0041-800	Wheel Bearing Tool Set, Iveco Daily	57
KL-0041-803	Holding Fixture	57
KL-0042-900	Inner Bearing Race Puller (base tool)	57
KL-0042-9071	Collet, Size 7	58
KL-0042-9081	Collet, Size 8	58
KL-0042-9091	Collet, Size 9	58
KL-0042-96 K	Inner Bearing Race Puller Set, with Collets in Size 3, 4, 5, 6	57
KL-0043-11 B	Pulling Device for Joint Bush, Mercedes	41
KL-0043-1105	Clamping Nut	158

Part No.	Description	Page
KL-0043-341	Internal Puller, Ø 16-18mm	141
KL-0049-100	Slide Hammer Puller (Base Tool)	156
KL-0049-101	Slide Hammer Puller (Base Tool)	156
KL-0049-300	Slide Hammer Puller Base Tool, 4.8kg	157
KL-0049-3020	Hook	157
KL-0050-60	Special Socket (13mm waf), Strut Mount, VW	9
KL-0050-61	Special Socket (14mm waf), Strut Mount, VW	9
KL-0055-60	Holding Fixture for Suspension Struts	20
KL-0056-11 E	Shock absorber piston rod tool set, in foam insert	8
KL-0069-5 K	Clutch Aligner Kit	141
KL-0104-21 KB	Spreader Tool Kit (adjustable), with Wedge No.1 + 2 + 4 + 5	7
KL-0104-21-1 B	Spreader Tool with Wedge No.1 and No.2	7
KL-0104-214	Spreader Tool Upgrade Kit, Lower Ball Joint, Audi	7
KL-0110 A	Holding Wrench	142
KL-0111-1	Calliper Piston Reset Tool (Narrow Design)	66
KL-0112-21 B	Brake Piston Push-Back/Wind-Back Kit, with 10 Adaptors	66
KL-0112-90	Socket Set, Brakes	67
KL-0112-91	Socket Set, Brakes	68
KL-0114-21	Brake Spring Assembly Hook	69
KL-0115	Wheel Hub Locking Tool	62
KL-0117-51	Pipe Bending Pliers	69
KL-0118-10 A	Pliers for Clutch Master Cylinder Piston Rod	141
KL-0120-81 K	Fuel Tank Sender Spanner Kit	78
KL-0121-20	Set of Hose Clamps (4-Piece Set)	76
KL-0121-22	Hose Clamp Pliers (Straight Design) with Ratchet Locking Mechanism	75
KL-0121-23	Hose Clamp Pliers (Angled 110°), with Ratchet Locking Mechanism	75
KL-0121-25	Hose Clamp Pliers, with Remote Action and Ratchet Locking Mechanism	75
KL-0121-2501	Bowden Cable (Spare)	75
KL-0121-38 B	Fuel Line Pliers	76
KL-0121-75	Set of Vacuum Line Plugs	82
KL-0121-90	Hose Clamp Pliers	64
KL-0121-94	Hose Clamp Pliers	76
KL-0121-96 A	Hose Clamp Pliers (for use with a Torque Drive)	64
KL-0122-191	Oil Filter Socket (universal), Ø 60-80mm	129
KL-0122-192	Oil Filter Socket (universal), Ø 80-110mm	129
KL-0122-193	Oil Filter Socket (universal), Ø 110-145mm	129
KL-0122-219 B	Oil Filter Socket, Aluminium, Ø 76mm, Plastic-coated, 12 Ribs	130
KL-0122-301	Oil Filter Socket, Size (waf) 74mm, 14 flats	130
KL-0122-319	Oil Filter Key Ø 76 mm 12 Ribs	130
KL-0122-426	Oil Filter Socket, Size 86mm waf, 16 flats (reinforced design)	129
KL-0122-53	Filter Socket, Size (waf) 46mm	131
KL-0122-57	Oil Filter Socket, Size (waf) 74.5mm	131
KL-0122-59 A	Oil Filter Socket Wrench, Size (waf) 27mm, PSA/Ford	131
KL-0122-609	Oil Filter Socket, Size (waf) 84mm, 14 Flats	130
KL-0122-701	Fuel Filter Socket, Ø 109mm	79
KL-0122-702	Fuel Filter Socket, Ø 82mm	79
KL-0122-703	Fuel Filter Socket, Ø 115mm, Ford Transit	79
KL-0124-41 K	Pressure- and Vacuum Hand Pump, in a Storage Case	78
KL-0124-43	Oil Pump with 12 Litre Reservoir	145
KL-0124-432 K	Adaptor Assortment, in a Storage Case	145
KL-0124-433	Reservoir (12 Litre) with Lid	146
KL-0124-4358-10	Oil Filling Adaptor, DSG Transmission, VW	145
KL-0124-4359	Angled Oil Filler Adaptor	145
KL-0124-59	Removal Tool for HENN® Clamps	75
KL-0125-602	Valve Collet Assembly Tool, Ø 6mm	72
KL-0125-70	Valve Lapper Tool, Ø 16/21mm	72
KL-0126-203	Flexible Magnetic Lifter	153
KL-0126-206	Telescopic Magnetic Lifter	154
KL-0126-221	Magnetic Valve Collet Lifter (flexible)	72
KL-0126-261	Telescopic Mirror, Ø 50mm, 300mm long	154

Part No.	Description	Page
KL-0127-43	Spark Plug Socket, Size (waf) 14mm	94
KL-0127-44	Spark Plug Socket, Size (waf) 14mm	94
KL-0127-46	Spark Plug Socket, Size (waf) 16mm	94
KL-0127-6	Spark Plug Connector Pliers	92
KL-0127-81	Ignition Coil Puller	93
KL-0127-86	Ignition Coil Puller	93
KL-0128-0	Dial Gauge, Ø 40mm	73
KL-0128-1	Dial Gauge, Ø 58mm	73
KL-0130-3	Exhaust Hanger Removal Pliers	133
KL-0131-51	Chain Pipe Cutter	133
KL-0131-5101	Spare Chain	133
KL-0132-51 K	Thread Repair Kit for Glow Plug Thread M10x1	100
KL-0132-52 K	Glow Plug Tool Set (Universal), M10x1	97
KL-0132-53 K	Thread Repair Kit for Glow Plug Thread M8x1	100
KL-0132-55 K	Glow Plug Tool Set (Universal), M8x1	96
KL-0132-56 EB	Universal Glow Plug Tool Set, in a Foam Insert	95
KL-0132-6	Angle Socket Wrench, 22mm waf	132
KL-0132-61 KA	Glow Plug Tool Set (Universal), M9x1	96
KL-0132-62 KA	Glow Plug Tool Set (Universal), M10x1.25	97
KL-0132-82 A	Lambda Sensor Tool, Size (waf) 22mm	132
KL-0132-83	Lambda Sensor Socket, hex, 22mm waf, 70mm long	132
KL-0132-84	Lambda Sensor Socket, 22mm (waf), hexagonal	132
KL-0140-2 A	Friction Gauge, 0.3 - 6 Nm	142
KL-0140-29	Vernier Caliper for Brake Discs	69
KL-0145-120 A	Supporting Device for Control Arm	9
KL-0146-20	Engine Support Device	125
KL-0146-21	Retaining Device	125
KL-0164-2	Ball Joint Extractor	28
KL-0164-3	Ball Joint Extractor	28
KL-0165-1	Ball Joint Extractor Set, Size 1 and 2	27
KL-0165-10	Ball Joint Extractor, Size 1	27
KL-0165-11	Ball Joint Extractor, Size 1	27
KL-0165-12	Ball Joint Extractor, Size 1	27
KL-0165-13	Ball Joint Extractor, Size 1	27
KL-0165-14	Ball Joint Extractor, Size 1	27
KL-0165-20	Ball Joint Extractor, Size 1	27
KL-0165-21	Ball Joint Extractor, Size 1	27
KL-0165-22	Ball Joint Extractor, Size 1	27
KL-0165-23	Ball Joint Extractor, Size 1	27
KL-0165-3 KA	Ball Joint Extractor Set (with 6 Forks)	28
KL-0165-30	Ball Joint Extractor, Size 3	28
KL-0165-31	Ball Joint Extractor, Size 3	28
KL-0165-32	Ball Joint Extractor, Size 3	28
KL-0165-33	Ball Joint Extractor, Size 3	28
KL-0165-34	Ball Joint Extractor, Size 3	28
KL-0165-35	Ball Joint Extractor, Size 3	28
KL-0167-15 A	Universal Wrench for Inner Track Rod Joint, Ø 30-43mm	30
KL-0167-30	Eccentric wrench for removal/installation of inner tie rod joint	30
KL-0169-1 B	Track Rod Adjustment Tool	29
KL-0169-60	Toe Measuring Gauge	29
KL-0169-61	Extension	29
KL-0174-110	Puller Set	58
KL-0174-150 E	Puller Set (for Wheel Hubs etc.), in a Foam Insert	59
KL-0174-240	Perforated Puller Plate, Size 2 (3-, 4- and 5-hole)	59
KL-0174-360	Puller Plate, Size 3 (3-, 4- and 5-hole)	59
KL-0174-3701	Thrust piece, short	159
KL-0174-371	Puller Plate Kit, Ford Transit	60
KL-0174-372	Supplementary Kit for Closed Wheel Bearings, Ford Transit	60
KL-0174-513	Adaptor, M42x2 to M16x1.5	60
KL-0174-545	Adaptor, 2¼"-14 UNS to M18	60

Part No.	Description	Page
KL-0174-545	Adaptor, 2¼"-14 UNS to M18	157
KL-0174-547	Adaptor, 2¼"-14 UNS to M20x2	60
KL-0174-559	Adaptor, 2¼"-14 UNS to 2¼"-14 UNS	170
KL-0174-610	Pressure Spindle	158
KL-0174-611	Pressure Spindle	158
KL-0174-620	Pressure Spindle	158
KL-0174-722	Puller Bolt Type B, M12x1.25	61
KL-0174-723	Puller Bolt, Type B, M12x1.5	61
KL-0174-724	Puller Bolt Type B, M14x1.5	61
KL-0174-727	Puller Bolt Type B, M14x1.25	61
KL-0174-762	Puller Bolt Type M, M12x1.25	61
KL-0174-763	Puller Bolt Type M, M12x1.5	61
KL-0174-764 A	Puller Bolt, Type M, M14x1.5	61
KL-0174-767	Puller Bolt Type M, M14	61
KL-0174-812	Pressure Spindle	158
KL-0174-817	Pressure Spindle	158
KL-0174-831	Mechanical Drive Set	157
KL-0174-856	Thrust Piece for Drive Shafts	160
KL-0174-911	Upgrade Kit (Drive Shaft Removal)	162
KL-0178-10	Seal Ring Puller	74
KL-0178-30 K	Installation Kit for Sealing Flanges with Integrated Sender Wheel	73
KL-0181-1	Stud Tool, 3/8"	72
KL-0182-1 B	Flywheel Locking Tool	101
KL-0183-2	Wrench Set	127
KL-0183-70 K	Tool Kit for V-Ribbed Belts	126
KL-0183-71 K	Tool Kit for Elastic V-Ribbed Belts	126
KL-0183-72 K	Tool Set for Auxiliary Stretch Belts	126
KL-0184-021	Counter-Holding Tool, VW	103
KL-0184-0210	Counter-Holding Tool (Base Tool with Adaptor)	104
KL-0184-022	Counter-Holding Tool, VW	107
KL-0184-025	Counter-Holding Tool, VW	109
KL-0184-041	Reaction Wrench, Opel/Vauxhall	118
KL-0186-1233	Set of Support Bolts, M6, 145mm	83
KL-0186-1234	Set of Support Bolts, M6 (113.5mm and 153.5mm)	84
KL-0186-1236	Set of Support Bolts, M6, 129mm	83
KL-0186-1238	Set of Support Bolts, M6, 129mm	84
KL-0186-1239	Set of Support Bolts, M7, 132.5mm	84
KL-0186-1240	Set of Support Bolts, M6, 170mm	83
KL-0186-1281	Supplementary Kit Siemens Injector M25x1	86
KL-0186-1282	Supplementary Kit Siemens Injector M27x1	86
KL-0186-1283	Supplementary Kit Denso Injector M16x1	86
KL-0186-1284	Supplementary Kit Denso Injector M20x1	87
KL-0186-1285	Supplementary Kit Delphi / Bosch Injector M18	87
KL-0186-130 A	Upgrade Kit for KL-0186-14 EA	85
KL-0186-132	Stützbolzen-/Ergänzungs-Satz für KL-0186-14 EA	85
KL-0186-14 EA	Universal Injector Nozzle Puller Set, in a Foam Insert	82
KL-0186-50 B	Cleaning Tool (Universal) for Injector Nozzle Seat	92
KL-0186-53 K	Cleaning Tool Set (Universal) for Injector Nozzle Seat	91
KL-0186-70 K	Fuel Injector Sleeve Removal Tool	91
KL-0186-91 EA	Injector Nozzle Puller Set, in a Foam Insert	80
KL-0186-9101 A	Upgrade Kit, M14 / 45°	81
KL-0186-9301	Upgrade Kit, Denso, M14x1.5 / 30°	81
KL-0186-9401	Upgrade Kit, M12x1 / 20°	81
KL-0186-95 K	Injector Extractor Set (VM-Motori / HATZ-Diesel / Iveco)	81
KL-0187-100 E	Injector extractor kit for direct injection petrol engines, in foam insert	88
KL-0187-101	Injector repair kit for direct injection petrol engines	89
KL-0190-11	Connector Release Tool	152
KL-0190-12	Pry Bar with Handle	153
KL-0190-20	Pliers for Light Bulbs	153
KL-0190-28 K	Terminal Tool Set for Push-On Contacts	152

Part No.	Description	Page
KL-0190-30	Test Lamp	153
KL-0190-41 A	Release/Removal Pliers	92
KL-0190-41 A	Release/Removal Pliers	150
KL-0190-50	Hog Ring/Pliers Kit	151
KL-0190-94	Pry Bar	142
KL-0191-10	Special Screwdriver Bit Socket with Bore, Torx® T30	151
KL-0191-11	Special Screwdriver Bit Socket, Torx® T30	151
KL-0192-12	Circlip Pliers (angled)	64
KL-0192-20 KA	Retaining Ring Removal Tool Set, PSA	50
KL-0192-5	Circlip Pliers, Ø 40-100mm	49
KL-0192-6	Circlip Pliers, Ø 85-165mm	50
KL-0192-7	Circlip Pliers (angled 90°)	68
KL-0192-823	Pliers for Special Safety Rings	64
KL-0193-10 A	Pliers for Protection Cap	92
KL-0193-95	Pry Bar Set	142
KL-0194-130 A	Set of Plastic Wedges	150
KL-0194-51	Star Lock Washer Removal/Installation Tool	133
KL-0199-12	Cylinder-Honing Tool, Ø 51-175mm	74
KL-0199-125	Cylinder Hone Set (3 Stones)	74
KL-0214-1602	Pull Spindle, M10x1.25	157
KL-0214-181	Set of sleeves for silent blocks VW-Audi	40
KL-0214-221	Pulling Device without Drive, for Double-Type Silentbloc, VW-Audi	39
KL-0214-240	Double silent block tool VW	39
KL-0214-241	Supplementary kit for KL-0214-221	40
KL-0215-321	Coupling Half, 1/4" (Hose Side)	168
KL-0215-322	Coupling Half, (Cylinder Side)	168
KL-0215-35 M22	Hydraulic Hand Pump	163
KL-0215-35 M25	Hydraulic Hand Pump	165
KL-0215-35 M28	Hydraulic Hand Pump	167
KL-0215-36 M25	Hydraulic Pump (Pneumatic)	165
KL-0215-36 M28	Hydraulic Pump (Pneumatic)	167
KL-0220-10 K	Fixing Tool Kit, VW Assembly Carrier	41
KL-0231-2	Multi-Spline Socket, XZN, M16	146
KL-0231-40	Oil Filter Socket Set, DSG, angled	146
KL-0242-10	Airbag Removal Tool Set (2 pcs.)	152
KL-0243-10	Assembly Lever, with Guide Pins	140
KL-0250-40	Extractor for Clamping Bolt and Ball Joint, Audi A4/VW Passat	32
KL-0250-43 KA	Drill-Out Tool Kit for Strut Bolts, in a Plastic Storage Case, VW-Audi	32
KL-0250-434	Upgrade Kit for KL-0250-43 K to form KL-0250-43 KA	33
KL-0270-31 C	Bit Wrench, Angled, (Reinforced Design), with 8 Bit Inserts	30
KL-0273-10	Removal Tool for Car Door Handle	148
KL-0273-11	Door Handle Removal Tool, VW	148
KL-0280-106 A	Locking Tool Set, VW-Audi	103
KL-0280-108 KB	Locking Tool Set, VW-Audi 3-Cylinder Engines	106
KL-0280-17	Locking Tool for Camshaft, VW-Audi	108
KL-0280-19 A	Locking Tool for Crankshaft Sprocket (Timing Belt), VW-Audi	101
KL-0280-20 A	Locking Tool for Crankshaft Sprocket (Timing Belt), VW-Audi 1.9, 2.0 TDI PD	101
KL-0280-29 KA	Locking Tool Set, VW 2.5 TDI	104
KL-0280-601 A	Locking Tool Set, VW-Audi	108
KL-0280-602 KC	Locking Tool Set, VW-Audi	106
KL-0280-625	Locking Tool for Balance Shaft, VW-Audi	103
KL-0280-702 K	Locking Tool Set, VW 1.2-2.0 TDI	102
KL-0280-706 KA	Locking Tool Set, VW 1.4/1.6/2.0 TDI	102
KL-0280-763 K	Locking Tool Set, VW 1.8 and 2.0 TFSI/TSI	108
KL-0280-765 KA	Locking Tool Set, VW-Audi, 2.0 FSI/TSI/TFSI	110
KL-0280-766 KA	Locking Tool Set, VW 1.0	105
KL-0280-767 KB	Locking Tool Set, VW 1.2 / 1.4 TSI / FSI	106
KL-0280-768 E	Vibration Damper Mounting Device VW-Audi	109
KL-0282-35 B	Reaction Wrench Kit (470mm long, adjustable)	101
KL-0282-52 K	Puller for Timing Belt Sprockets, VW-Audi	105

Part No.	Description	Page
KL-0282-53 K	Crankshaft Sprocket Puller Kit (Timing Chain), VW 1.2 TSI	107
KL-0284-17	Adjuster for Timing Belt Tensioner, Size (waf) 32mm	105
KL-0284-185 E	Alternator Socket Spanner Set, in Foam Insert	127
KL-0284-91 A	Adjustment Tool for Timing Belt Tensioner, VW-Audi, Seat, Škoda	104
KL-0284-92	Tension Pulley Spanner, Size (waf) 16mm	128
KL-0286-11	Guide Pin Set for Front-End Carrier, VW-Audi	105
KL-0286-20	Socket Wrench Set for Pressure Capsule with Charge Pressure Actuator Position Sensor	79
KL-0288-11	Oil Filler Adaptor for VW DSG Gearbox	146
KL-0288-30	Bit Socket for Oil Drain Plug, VW-Audi	131
KL-0289-10	Fuel Filter Cap Installation Tool	79
KL-0289-20	Removal/Installation Tool for Fuel Return Line	76
KL-0312-2	Puller for Chain Slider Bolts, Mercedes/BMW	113
KL-0314-1	Brake Spring Tool, Mercedes	68
KL-0326-1000	Press Frame	169
KL-0326-161 E	Hydraulic Press Tool Set, without Drive, in a Foam Insert	33
KL-0326-20	Hook spanner Mercedes	33
KL-0356-141	Sleeve Kit (W204)	42
KL-0356-142	Upgrade Kit, Rear Axle Carrier (W204)	42
KL-0366-17	Belt Tensioner Tool, Poly-V Belt	128
KL-0366-7	Reaction Wrench	128
KL-0369-10	Hex Socket, Size (waf) 22mm	77
KL-0369-201 A	Glow Plug Removal Tool, Mercedes	94
KL-0369-202	Glow Plug Removal Tool, M8x1	94
KL-0369-25 KA	Reamer Set (adjustable) for Glow Plug Aperture, in a Plastic Storage Case	99
KL-0369-300 A	Roller-Type Stud Removal Socket	94
KL-0369-33 K	Glow Plug Tool Set, M8x1, Mercedes	98
KL-0369-4100	Slide Hammer Puller Base Tool, 1.5kg	157
KL-0369-4111	Adaptor	87
KL-0369-512	Set of taps (M6 - M8)	89
KL-0369-54 A	Compressed Air Adaptor Kit	90
KL-0369-59	Puller for Sealing Ring	89
KL-0369-900 KC	Set of Glow Plug/Spark Plug Sockets with Joint	93
KL-0372-3	Set of Pulling Hooks (long), Mercedes	151
KL-0372-6	Mounting Sleeve for Ignition Switch, Mercedes	151
KL-0380-7524	Bit Socket, T100	113
KL-0461-10	Pentagon Socket	67
KL-0482-30	Locking Tool Set, Opel/Vauxhall 1.4, 1.6, 1.8, 2.0, 2.2	117
KL-0482-33 KA	Locking Tool Set, Opel/Vauxhall 1.4, 1.6, 1.8, 2.0 and 2.2	118
KL-0482-43 KA	Locking Tool Set, Opel/Vauxhall 1.0 12V, 1.2 16V, 1.4 16V	117
KL-0482-442 A	Locking Tool for Water Pump, Opel/Vauxhall 2.2 16V	118
KL-0482-45 KA	Locking Tool Set	119
KL-0482-46 KB	Locking Tool Set	121
KL-0482-751 A	Locking Tool, Opel/Vauxhall 1.0	117
KL-0483-11	Counter-Holding Tool, 41mm waf, Opel/Vauxhall/GM	119
KL-0500-15	Clutch-Centring Pin, Ø 26.5mm, BMW/Audi	137
KL-0500-20	Clutch-Centring Pin, Ø 26.5mm	137
KL-0500-22	Clutch-Centring Sleeve, Ø 32.5mm, BMW	138
KL-0500-23	Clutch-Centring Pin, Ø 32.5mm	137
KL-0500-4012	Supplementary kit of threaded bolts M9 (3 pieces)	137
KL-0500-405	Clutch Aligner	137
KL-0500-45 KA	Clutch Tool Set (SAC), in a Plastic Storage Case	136
KL-0500-61 K	Update Tool Kit for Double Clutch	140
KL-0500-71 K	Reset Tool Kit for Double Clutch	140
KL-0500-80 K	Base Tool Kit for Double Clutch	138
KL-0500-81 K	Upgrade Tool Kit for Double Clutch, VW	139
KL-0500-83 K	Upgrade Tool Kit for Double Clutch, Ford	139
KL-0511-40 K	Set of Special Sockets, in a Storage Case	77
KL-0580-21	Puller for Injection Pump Sprocket, BMW	111
KL-0580-22	Injection Pump Removal Tool	111
KL-0580-44 KA	Locking Tool Set, BMW N40 and N45	111

Part No.	Description	Page
KL-0580-45 KA	Locking Tool Set, BMW	112
KL-0580-7 KB	Locking Tool Set, BMW	110
KL-0580-712	Locking Tool for Flywheel	111
KL-0580-751 K	Locking Tool Set, BMW	112
KL-0580-82 KB	Locking Tool Set, BMW	110
KL-0580-83 KA	Locking Tool Set, BMW 1.4 and 1.6 16V	112
KL-0610-131 A	Set of Sleeves, Ford/Mazda/Volvo	43
KL-0610-134	Set of Sleeves Ford Focus III (Silentlager Hinterachse)§	43
KL-0610-150 A	Pressing Device without Hydraulic Cylinder, Silentbloc, Rear Axle, Ford/Volvo	43
KL-0610-151 A	Upgrade Kit, Ford/Volvo	43
KL-0680-103 A	Locking Pin Set for Crankshaft, Ford	115
KL-0680-220 B	Set of Locking Pins, Citroën/Mazda/Peugeot/Suzuki/Toyota/Volvo	120
KL-0680-24 KB	Locking Tool Set, Ford	116
KL-0680-25 A	Locking Tool Kit for Crankshaft, Ford	115
KL-0680-262 A	Tensioner Tool, Ford	113
KL-0680-27 A	Locking Tool Set, Ford	116
KL-0680-28 K	Locking Tool Set, Ford	114
KL-0680-80 K	Injector Nozzle Puller in a Plastic Storage Case, Ford EcoBlue 2.0	88
KL-0780-30	Counter-Holding Tool, Crankshaft	115
KL-1210-221	Sleeve Set for Suspension Ball Joint, Renault/Dacia	36
KL-1280-23 KB	Locking Tool Set, Renault 1.4, 1.6, 1.8, 2.0 16V and 1.5 dCi	123
KL-1280-235 B	Adjustment Tool for Idler Pulley	124
KL-1280-236 A	Counter-Holding Plate for Camshaft Sprockets, Renault	124
KL-1280-237	Installation Tool Set, Renault	124
KL-1280-27 K	Locking Tool Set, Renault 2.0 dCi	123
KL-1280-281 B	Counter-Holding Plate for Camshaft Sprockets	124
KL-1280-701	Locking Tool Set, Renault	123
KL-1340-401	Special Socket, 44mm waf, PSA	34
KL-1380-231 A	Locking Tool for Flywheel, Citroën/Peugeot	122
KL-1380-26 KC	Locking Tool Set, PSA 1.4, 1.6, 2.0, 2.2 HDI	120
KL-1380-753 KB	Locking Tool Set, PSA	122
KL-1381-30	Tensioner Tool with Locking Pin	119
KL-1383-30	Seal Ring Installation Tool DV6 (16V)	90
KL-1460-1	Pentagon Socket	67
KL-1502-SP	Pair of Jaws with Protective Inserts, Size 0C	17
KL-1510-SP	Pair of Jaws with Protective Inserts, Size 1N	18
KL-1512-SP	Pair of Jaws with Protective Inserts, Size 1A	19
KL-1514-SP	Pair of Jaws with Protective Inserts, Size 1B	19
KL-1516-SP	Pair of Jaws with Protective Inserts, Size 1C	19
KL-1518 A SP	Pair of Jaws with Protective Inserts, Size 1D	20
KL-1520-SP	Pair of Jaws with Protective Inserts, Size 2N	18
KL-1525-SP	Jaw with Protective Insert, Size 2B	19
KL-1530	Pair of Jaws, Size 3N	18
KL-1540	Jaw Set (4-piece set), Size 4	20
KL-1590-2	Adaptor Set	20
KL-1682-25 KA	Locking Tool Set, Fiat 1.2, 1.4 8V	122
KL-1682-26 KA	Locking Tool Set, 2.3, 2.8 and 3.0 JTD	121
KL-1682-44	Locking Tool Set, High-Pressure Pump Sprocket§	121
KL-1683-22 K	Glow Plug Tool Set, M8x1	99
KL-2000 SP	Spring Compressor with Protective Inserts	17
KL-4007-311	Swivel Head Breaker Bar, 1/2", Length 620mm	156
KL-4007-3112	Swivel Head	156
KL-4007-411	Swivel Head Breaker Bar, 3/4", 980mm	156
KL-4014-4224	Bi-Hex Socket, 24mm	62
KL-4021-310	Screwdriver Bit Socket Set, 3/8"	67
KL-4031-3518	Screwdriver Bit Socket XZN-M18	62
KL-4031-4118	Screwdriver Bit Socket, XZN-M18	62
KL-4043-100	Socket spanner set 1/4" + 3/8", IP TorxPlus®, 11 pcs.	149
KL-4043-200	Socket spanner set 3/8", EP TorxPlus®, 7 pcs.	149
KL-4043-300	Socket spanner set 1/2", EP TorxPlus®, 7 pcs.	149

Part No.	Description	Page
KL-4075-321 K	Flexible Crowfoot Socket Wrench Set	77
KL-4084-200	Mortorq® Super (MTS) Bit Socket Set	150
KL-4306-6330	Torx® Screwdriver with T-Handle, T30x350mm	148
KL-4306-8320	5-Point Screwdriver with T-Handle (T20x260mm)	149
KL-4503-301	Multi-Purpose Pliers, 180mm	150
KL-4901-10	Combi-Shears	74
KL-4990-2001	Plastic Storage Box	171
KL-4990-2002	Plastic Storage Box	171
KL-4990-2003	Plastic Storage Box	171
KL-4990-9222	Plastic Case	172
KL-4990-9224	Plastic Case	172
KL-4990-9272	Plastic Case	172
KL-4990-9274	Plastic Case	172
KL-4990-9322	Plastic Case	172
KL-4990-9324	Plastic Case	172
KL-4990-9372	Plastic Case	172
KL-4990-9374	Plastic Case	172
KL-4990-9472	Plastic Case	172
KL-4990-9474	Plastic Case	172
KL-4999-120 A	MODULO Workshop Trolley/Workbench, 4 Drawers	170
KL-4999-1204	MODULO Drawer Divider Set (5-pc.), Hand Tools	171
KL-4999-1205	MODULO Drawer Divider, 80mm, with Screws	171
KL-4999-121 A	MODULO Workshop Trolley/Workbench, 5 Drawers	171
KL-4999-1390	Storage Case with Insert (without tools)	173
KL-4999-1391	Storage Case with Insert (without tools)	173
KL-4999-1392	Storage Case with Insert (without tools)	173
KL-4999-1393	Storage Case with Insert (without tools)	173
KL-4999-1394	Storage Case with Insert (without tools)	173
KL-4999-1395	Storage Case with Insert (without tools)	173
KL-4999-1396	Storage Case with Insert (without tools)	173
KL-4999-200 C	Mobile Modular Workstation 'MODULO 200 C'	44
KL-4999-2000 C	Mobile Modular Workstation 'MODULO 2000 C'	45
KL-4999-210 A	Mobile Modular Workstation 'MODULO 210 A'	45
KL-5501 B	Spring Compressor, Stationary	10
KL-5501-1435 A	Adapter für Stoßdämpfer mit Gabelaufnahme	12
KL-5501-171	Adaptor Ring, Nissan, Renault, Fiat	11
KL-5501-191	Conversion Kit, Strut-Holding Clamp, long	12
KL-5501-192	Conversion Kit for Supporting Column Assembly	12
KL-5501-193	Upgrade Kit, Opel/Vauxhall Insignia B	12
KL-5501-211	MODULO and Wall Bracket, short	11
KL-5501-212	Wall Bracket, long	11
KL-5501-40	Hand Crank, size (waf) 24 mm	11
KL-8041-100 A	Premium Wheel Bearing Tool Kit Package	46
KL-9001-10 SP	Pair of Jaws with Protective Inserts, Size 0	14
KL-9001-11 SP	Pair of Jaws with Protective Inserts, Size 1	14
KL-9001-12 SP	Pair of Jaws with Protective Inserts, Size 2	14
KL-9001-13 SP	Pair of Jaws with Protective Inserts, Size 3	15
KL-9001-15	Pair of Jaws, Size 5	16
KL-9001-16 SP	Pair of Jaws with Protective Inserts, Size 0, Extended Design	15
KL-9001-17 SP	Pair of Jaws with Protective Inserts, Size 1, Extended Design	16
KL-9001-32 SP	Pair of Jaws with Protective Inserts, Size 1	16
KL-9001-33 SP	Pair of Jaws with Protective Inserts, Size 1B	15
KL-9002 SP E	Spring Compressor, in a Foam Insert	13
R11201002	Ball Joint Extractor (Universal)	28

Description	Part No.	Page
5-Point Screwdriver with T-Handle (T20x260mm)	KL-4306-8320	149
Adapter für Stoßdämpfer mit Gabelaufnahme	KL-5501-1435 A	12
Adaptor	KL-0369-4111	87
Adaptor Assortment, in a Storage Case	KL-0124-432 K	145
Adaptor Ring, Nissan, Renault, Fiat	KL-5501-171	11
Adaptor Set	KL-1590-2	20
Adaptor Sleeve, Ø 25mm	KL-0040-2571	166
Adaptor with O-Ring, 2¼"-14 UNS to Ø 30mm	KL-0039-1105	169
Adaptor, 2¼"-14 UNS to 2¼"-14 UNS	KL-0174-559	170
Adaptor, 2¼"-14 UNS to 2¾"-16 UN	KL-0040-2855	170
Adaptor, 2¼"-14 UNS to M18	KL-0174-545	60
Adaptor, 2¼"-14 UNS to M18	KL-0174-545	157
Adaptor, 2¼"-14 UNS to M20x2	KL-0174-547	60
Adaptor, 2¼"-14 UNS to M42x2	KL-0041-5010	61
Adaptor, 3/8", NPT to 1/4" NPT	KL-0040-2520	168
Adaptor, M42x2 to M16x1.5	KL-0174-513	60
Adjuster for Timing Belt Tensioner, Size (waf) 32mm	KL-0284-17	105
Adjustment Tool for Idler Pulley	KL-1280-235 B	124
Adjustment Tool for Timing Belt Tensioner, VW-Audi, Seat, Škoda	KL-0284-91 A	104
Airbag Removal Tool Set (2 pcs.)	KL-0242-10	152
Alternator Socket Spanner Set, in Foam Insert	KL-0284-185 E	127
Angle Socket Wrench, 22mm waf	KL-0132-6	132
Angled Oil Filler Adaptor	KL-0124-4359	145
Assembly Lever, with Guide Pins	KL-0243-10	140
Ball Joint Extractor	KL-0164-2	28
Ball Joint Extractor	KL-0164-3	28
Ball Joint Extractor (Universal)	R11201002	28
Ball Joint Extractor Set (with 6 Forks)	KL-0165-3 KA	28
Ball Joint Extractor Set, Size 1 and 2	KL-0165-1	27
Ball Joint Extractor, Size 1	KL-0165-10	27
Ball Joint Extractor, Size 1	KL-0165-11	27
Ball Joint Extractor, Size 1	KL-0165-12	27
Ball Joint Extractor, Size 1	KL-0165-13	27
Ball Joint Extractor, Size 1	KL-0165-14	27
Ball Joint Extractor, Size 1	KL-0165-20	27
Ball Joint Extractor, Size 1	KL-0165-21	27
Ball Joint Extractor, Size 1	KL-0165-22	27
Ball Joint Extractor, Size 1	KL-0165-23	27
Ball Joint Extractor, Size 3	KL-0165-30	28
Ball Joint Extractor, Size 3	KL-0165-31	28
Ball Joint Extractor, Size 3	KL-0165-32	28
Ball Joint Extractor, Size 3	KL-0165-33	28
Ball Joint Extractor, Size 3	KL-0165-34	28
Ball Joint Extractor, Size 3	KL-0165-35	28
Base Plate 2¼"-14 UNS Reinforced	KL-0039-1144 V	169
Base Tool Kit for Double Clutch	KL-0500-80 K	138
Belt Tensioner Tool, Poly-V Belt	KL-0366-17	128
Bi-Hex Socket, 24mm	KL-4014-4224	62
Bit Socket for Oil Drain Plug, VW-Audi	KL-0288-30	131
Bit Socket, T100	KL-0380-7524	113
Bit Wrench, Angled, (Reinforced Design), with 8 Bit Inserts	KL-0270-31 C	30
Bowden Cable (Spare)	KL-0121-2501	75
Brake Calliper Brush	643	68
Brake Calliper File	8726	68
Brake Pipe Spanner	400 10x11	69
Brake Piston Push-Back/Wind-Back Kit, with 10 Adaptors	KL-0112-21 B	66
Brake Spring Assembly Hook	KL-0114-21	69
Brake Spring Tool, Mercedes	KL-0314-1	68
Calliper Piston Reset Tool (Narrow Design)	KL-0111-1	66
Centring Ring, Ø 70mm	KL-0039-1413	49

Description	Part No.	Page
Centring Ring, Ø 75mm	KL-0039-1414	49
Centring Ring, Ø 80mm	KL-0039-1415	49
Chain Pipe Cutter	KL-0131-51	133
Circlip Pliers (angled 90°)	KL-0192-7	68
Circlip Pliers (angled)	KL-0192-12	64
Circlip Pliers, Ø 40-100mm	KL-0192-5	49
Circlip Pliers, Ø 85-165mm	KL-0192-6	50
Clamp Ring for Hydraulic Cylinder KL-0040-2800	KL-0040-2881	168
Clamping Nut	KL-0039-1910-2	158
Clamping Nut	KL-0039-1912-3	158
Clamping Nut	KL-0039-1912-2	158
Clamping Nut	KL-0043-1105	158
Clamping Nut	KL-0039-1914-2	158
Clamping Nut	KL-0040-2543-2	158
Clamping Nut	KL-0039-1916-2	158
Clamping Nut	KL-0039-1916-3	158
Clamping Nut	KL-0039-1918-2	158
Clamping Nut	KL-0040-3009	158
Clamping Nut	KL-0040-2812-3	158
Cleaning Tool (Universal) for Injector Nozzle Seat	KL-0186-50 B	92
Cleaning Tool Set (Universal) for Injector Nozzle Seat	KL-0186-53 K	91
Clutch Aligner	KL-0500-405	137
Clutch Aligner Kit	KL-0069-5 K	141
Clutch Tool Set (SAC), in a Plastic Storage Case	KL-0500-45 KA	136
Clutch-Centring Pin, Ø 26.5mm	KL-0500-20	137
Clutch-Centring Pin, Ø 26.5mm, BMW/Audi	KL-0500-15	137
Clutch-Centring Pin, Ø 32.5mm	KL-0500-23	137
Clutch-Centring Sleeve, Ø 32.5mm, BMW	KL-0500-22	138
Coil Spring Pre-Compressor, in a Foam Insert	KL-0029-100 EB	4
Collet, Size 7	KL-0042-9071	58
Collet, Size 8	KL-0042-9081	58
Collet, Size 9	KL-0042-9091	58
Combi-Shears	KL-4901-10	74
Compact Internal Coil Spring Compressor, Size 2A	KL-0033-10 E	21
Compressed Air Adaptor Kit	KL-0369-54 A	90
Conical Adaptor for M20 Quick-Action Clamping Nut	KL-0039-2192	161
Conical Clamping Nut	KL-0041-3812	158
Conical Clamping Nut	KL-0039-1920-4	158
Conical Clamping Nut	KL-0040-2812-2	158
Connector Release Tool	KL-0190-11	152
Conversion Kit for Supporting Column Assembly	KL-5501-192	12
Conversion Kit, Strut-Holding Clamp, long	KL-5501-191	12
Counter-Holding Plate for Camshaft Sprockets	KL-1280-281 B	124
Counter-Holding Plate for Camshaft Sprockets, Renault	KL-1280-236 A	124
Counter-Holding Tool (Base Tool with Adaptor)	KL-0184-0210	104
Counter-Holding Tool, 41mm waf, Opel/Vauxhall/GM	KL-0483-11	119
Counter-Holding Tool, Crankshaft	KL-0780-30	115
Counter-Holding Tool, VW	KL-0184-021	103
Counter-Holding Tool, VW	KL-0184-022	107
Counter-Holding Tool, VW	KL-0184-025	109
Coupling Half, (Cylinder Side)	KL-0215-322	168
Coupling Half, 1/4" (Hose Side)	KL-0215-321	168
Crankshaft Sprocket Puller Kit (Timing Chain), VW 1.2 TSI	KL-0282-53 K	107
Cylinder Hone Set (3 Stones)	KL-0199-125	74
Cylinder-Honing Tool, Ø 51-175mm	KL-0199-12	74
Dial Gauge, Ø 40mm	KL-0128-0	73
Dial Gauge, Ø 58mm	KL-0128-1	73
Door Handle Removal Tool, VW	KL-0273-11	148
Double silent block tool VW	KL-0214-240	39
Drill-Out Tool Kit for Strut Bolts, in a Plastic Storage Case, VW-Audi	KL-0250-43 KA	32

Description	Part No.	Page
Eccentric wrench for removal/installation of inner tie rod joint	KL-0167-30	30
Engine Support Device	KL-0146-20	125
Exhaust Hanger Removal Pliers	KL-0130-3	133
Extension	KL-0169-61	29
Extractor for Clamping Bolt and Ball Joint, Audi A4/VW Passat	KL-0250-40	32
Feeler Gauge Set (20 Blades)	702 20 M	72
Filter Socket, Size (waf) 46mm	KL-0122-53	131
Fixing Tool Kit, VW Assembly Carrier	KL-0220-10 K	41
Flexible Crowfoot Socket Wrench Set	KL-4075-321 K	77
Flexible Magnetic Lifter	KL-0126-203	153
Flywheel Locking Tool	KL-0182-1 B	101
Frame Bars (Pair), 350mm long, with Hex Nuts	KL-0039-115	169
Friction Gauge, 0.3 - 6 Nm	KL-0140-2 A	142
Fuel Filter Cap Installation Tool	KL-0289-10	79
Fuel Filter Socket, Ø 109mm	KL-0122-701	79
Fuel Filter Socket, Ø 115mm, Ford Transit	KL-0122-703	79
Fuel Filter Socket, Ø 82mm	KL-0122-702	79
Fuel Injector Sleeve Removal Tool	KL-0186-70 K	91
Fuel Line Pliers	KL-0121-38 B	76
Fuel Tank Sender Spanner Kit	KL-0120-81 K	78
Glow Plug Removal Tool, M8x1	KL-0369-202	94
Glow Plug Removal Tool, Mercedes	KL-0369-201 A	94
Glow Plug Tool Set (Universal), M10x1	KL-0132-52 K	97
Glow Plug Tool Set (Universal), M10x1.25	KL-0132-62 KA	97
Glow Plug Tool Set (Universal), M8x1	KL-0132-55 K	96
Glow Plug Tool Set (Universal), M9x1	KL-0132-61 KA	96
Glow Plug Tool Set, M8x1	KL-1683-22 K	99
Glow Plug Tool Set, M8x1, Mercedes	KL-0369-33 K	98
Grip wrench, Size 11mm	137 7-11	69
Guide Pin Set for Front-End Carrier, VW-Audi	KL-0286-11	105
Half moon ring spanner	304 11x13	80
Half moon ring spanner	304 13x15	80
Half moon ring spanner	304 13x17	80
Half moon ring spanner	304 14x16	80
Half moon ring spanner	304 14x17	80
Half moon ring spanner	304 15x17	80
Half moon ring spanner	304 16x18	80
Half moon ring spanner	304 19x22	80
Hand Crank, size (waf) 24 mm	KL-5501-40	11
Hex Socket, Size (waf) 22mm	KL-0369-10	77
Hog Ring/Pliers Kit	KL-0190-50	151
Holding Fixture	KL-0041-803	57
Holding Fixture for Suspension Struts	KL-0055-60	20
Holding Wrench	KL-0110 A	142
Holding-Down Tool Kit, in a Foam Insert	KL-0033-300 E	22
Hook	KL-0049-3020	157
Hook spanner Mercedes	KL-0326-20	33
Hose Clamp Pliers	KL-0121-90	64
Hose Clamp Pliers	KL-0121-94	76
Hose Clamp Pliers (Angled 110°), with Ratchet Locking Mechanism	KL-0121-23	75
Hose Clamp Pliers (for use with a Torque Drive)	KL-0121-96 A	64
Hose Clamp Pliers (Straight Design) with Ratchet Locking Mechanism	KL-0121-22	75
Hose Clamp Pliers, with Remote Action and Ratchet Locking Mechanism	KL-0121-25	75
Hydraulic Cylinder, 10t	KL-0040-2200	163
Hydraulic Cylinder, 17t	KL-0040-2500	164
Hydraulic Cylinder, 28t	KL-0040-2800	166
Hydraulic Drive Kit without Hydraulic Cylinder	KL-0039-802	162
Hydraulic Drive Tool Kit with Safety Belt	KL-0040-175 B	164
Hydraulic Hand Pump	KL-0215-35 M22	163
Hydraulic Hand Pump	KL-0215-35 M25	165

Description	Part No.	Page
Hydraulic Hand Pump	KL-0215-35 M28	167
Hydraulic Press Tool Set, without Drive, in a Foam Insert	KL-0326-161 E	33
Hydraulic Pump (Pneumatic)	KL-0215-36 M25	165
Hydraulic Pump (Pneumatic)	KL-0215-36 M28	167
Ignition Coil Puller	KL-0127-81	93
Ignition Coil Puller	KL-0127-86	93
Injection Pump Removal Tool	KL-0580-22	111
Injector extractor kit for direct injection petrol engines, in foam insert	KL-0187-100 E	88
Injector Extractor Set (VM-Motori / HATZ-Diesel / Iveco)	KL-0186-95 K	81
Injector Nozzle Puller in a Plastic Storage Case, Ford EcoBlue 2.0	KL-0680-80 K	88
Injector Nozzle Puller Set, in a Foam Insert	KL-0186-91 EA	80
Injector repair kit for direct injection petrol engines	KL-0187-101	89
Inner Bearing Race Puller (base tool)	KL-0042-900	57
Inner Bearing Race Puller Set, with Collets in Size 3, 4, 5, 6	KL-0042-96 K	57
Installation Kit for Sealing Flanges with Integrated Sender Wheel	KL-0178-30 K	73
Installation Tool Set, Renault	KL-1280-237	124
Internal extractor assortment	1100-1.30	144
Internal Puller, Ø 16-18mm	KL-0043-341	141
Jaw Set (4-piece set), Size 4	KL-1540	20
Jaw with Protective Insert, Size 2B	KL-1525-SP	19
Lambda Sensor Socket, 22mm (waf), hexagonal	KL-0132-84	132
Lambda Sensor Socket, hex, 22mm waf, 70mm long	KL-0132-83	132
Lambda Sensor Tool, Size (waf) 22mm	KL-0132-82 A	132
Locking Pin Set for Crankshaft, Ford	KL-0680-103 A	115
Locking Tool for Balance Shaft, VW-Audi	KL-0280-625	103
Locking Tool for Camshaft, VW-Audi	KL-0280-17	108
Locking Tool for Crankshaft Sprocket (Timing Belt), VW-Audi	KL-0280-19 A	101
Locking Tool for Crankshaft Sprocket (Timing Belt), VW-Audi 1.9, 2.0 TDI PD	KL-0280-20 A	101
Locking Tool for Flywheel	KL-0580-712	111
Locking Tool for Flywheel, Citroën/Peugeot	KL-1380-231 A	122
Locking Tool for Water Pump, Opel/Vauxhall 2.2 16V	KL-0482-442 A	118
Locking Tool Kit for Crankshaft, Ford	KL-0680-25 A	115
Locking Tool Set	KL-0482-45 KA	119
Locking Tool Set	KL-0482-46 KB	121
Locking Tool Set, 2.3, 2.8 and 3.0 JTD	KL-1682-26 KA	121
Locking Tool Set, BMW	KL-0580-82 KB	110
Locking Tool Set, BMW	KL-0580-7 KB	110
Locking Tool Set, BMW	KL-0580-751 K	112
Locking Tool Set, BMW	KL-0580-45 KA	112
Locking Tool Set, BMW 1.4 and 1.6 16V	KL-0580-83 KA	112
Locking Tool Set, BMW N40 and N45	KL-0580-44 KA	111
Locking Tool Set, Fiat 1.2, 1.4 8V	KL-1682-25 KA	122
Locking Tool Set, Ford	KL-0680-28 K	114
Locking Tool Set, Ford	KL-0680-27 A	116
Locking Tool Set, Ford	KL-0680-24 KB	116
Locking Tool Set, High-Pressure Pump Sprocket	KL-1682-44	121
Locking Tool Set, Opel/Vauxhall 1.0 12V, 1.2 16V, 1.4 16V	KL-0482-43 KA	117
Locking Tool Set, Opel/Vauxhall 1.4, 1.6, 1.8, 2.0 and 2.2	KL-0482-33 KA	118
Locking Tool Set, Opel/Vauxhall 1.4, 1.6, 1.8, 2.0, 2.2	KL-0482-30	117
Locking Tool Set, PSA	KL-1380-753 KB	122
Locking Tool Set, PSA 1.4, 1.6, 2.0, 2.2 HDI	KL-1380-26 KC	120
Locking Tool Set, Renault	KL-1280-701	123
Locking Tool Set, Renault 1.4, 1.6, 1.8, 2.0 16V and 1.5 dCi	KL-1280-23 KB	123
Locking Tool Set, Renault 2.0 dCi	KL-1280-27 K	123
Locking Tool Set, VW 1.0	KL-0280-766 KA	105
Locking Tool Set, VW 1.2 / 1.4 TSI / FSI	KL-0280-767 KB	106
Locking Tool Set, VW 1.2-2.0 TDI	KL-0280-702 K	102
Locking Tool Set, VW 1.4/1.6/2.0 TDI	KL-0280-706 KA	102
Locking Tool Set, VW 1.8 and 2.0 TFSI/TSI	KL-0280-763 K	108
Locking Tool Set, VW 2.5 TDI	KL-0280-29 KA	104

Description	Part No.	Page
Locking Tool Set, VW-Audi	KL-0280-106 A	103
Locking Tool Set, VW-Audi	KL-0280-602 KC	106
Locking Tool Set, VW-Audi	KL-0280-601 A	108
Locking Tool Set, VW-Audi 3-Cylinder Engines	KL-0280-108 KB	106
Locking Tool Set, VW-Audi, 2.0 FSI/TSI/TFSI	KL-0280-765 KA	110
Locking Tool, Opel/Vauxhall 1.0	KL-0482-751 A	117
Magnetic Valve Collet Lifter (flexible)	KL-0126-221	72
Mechanical drive for wheel hub tools	KL-0039-801 C	162
Mechanical Drive Set	KL-0174-831	157
Mobile Modular Workstation 'MODULO 200 C'	KL-4999-200 C	44
Mobile Modular Workstation 'MODULO 2000 C'	KL-4999-2000 C	45
Mobile Modular Workstation 'MODULO 210 A'	KL-4999-210 A	45
MODULO and Wall Bracket, short	KL-5501-211	11
MODULO Drawer Divider Set (5-pc.), Hand Tools	KL-4999-1204	171
MODULO Drawer Divider, 80mm, with Screws	KL-4999-1205	171
MODULO Workshop Trolley/Workbench, 4 Drawers	KL-4999-120 A	170
MODULO Workshop Trolley/Workbench, 5 Drawers	KL-4999-121 A	171
Mortorq® Super (MTS) Bit Socket Set	KL-4084-200	150
Mounting Sleeve for Ignition Switch, Mercedes	KL-0372-6	151
Multi-Purpose Pliers, 180mm	KL-4503-301	150
Multi-Spline Socket, XZN, M16	KL-0231-2	146
Oil Filler Adaptor for VW DSG Gearbox	KL-0288-11	146
Oil Filling Adaptor, DSG Transmission, VW	KL-0124-4358-10	145
Oil Filter Key Ø 76 mm 12 Ribs	KL-0122-319	130
Oil Filter Socket (universal), Ø 110-145mm	KL-0122-193	129
Oil Filter Socket (universal), Ø 60-80mm	KL-0122-191	129
Oil Filter Socket (universal), Ø 80-110mm	KL-0122-192	129
Oil Filter Socket Set, DSG, angled	KL-0231-40	146
Oil Filter Socket Wrench, Size (waf) 27mm, PSA/Ford	KL-0122-59 A	131
Oil Filter Socket, Aluminium, Ø 76mm, Plastic-coated, 12 Ribs	KL-0122-219 B	130
Oil Filter Socket, Size (waf) 74.5mm	KL-0122-57	131
Oil Filter Socket, Size (waf) 74mm, 14 flats	KL-0122-301	130
Oil Filter Socket, Size (waf) 84mm, 14 Flats	KL-0122-609	130
Oil Filter Socket, Size 86mm waf, 16 flats (reinforced design)	KL-0122-426	129
Oil Pump with 12 Litre Reservoir	KL-0124-43	145
Pair of Jaws with Protective Inserts, Size 0	KL-9001-10 SP	14
Pair of Jaws with Protective Inserts, Size 0, Extended Design	KL-9001-16 SP	15
Pair of Jaws with Protective Inserts, Size 0C	KL-1502-SP	17
Pair of Jaws with Protective Inserts, Size 1	KL-9001-11 SP	14
Pair of Jaws with Protective Inserts, Size 1	KL-9001-32 SP	16
Pair of Jaws with Protective Inserts, Size 1, Extended Design	KL-9001-17 SP	16
Pair of Jaws with Protective Inserts, Size 1A	KL-1512-SP	19
Pair of Jaws with Protective Inserts, Size 1B	KL-9001-33 SP	15
Pair of Jaws with Protective Inserts, Size 1B	KL-1514-SP	19
Pair of Jaws with Protective Inserts, Size 1C	KL-1516-SP	19
Pair of Jaws with Protective Inserts, Size 1D	KL-1518 A SP	20
Pair of Jaws with Protective Inserts, Size 1N	KL-1510-SP	18
Pair of Jaws with Protective Inserts, Size 2	KL-9001-12 SP	14
Pair of Jaws with Protective Inserts, Size 2N	KL-1520-SP	18
Pair of Jaws with Protective Inserts, Size 3	KL-9001-13 SP	15
Pair of Jaws, Size 3N	KL-1530	18
Pair of Jaws, Size 5	KL-9001-15	16
Pair of Pressure Plates, M-Class	KL-0025-17	24
Pair of Pressure Plates, Size 0A	KL-0033-16	22
Pair of Pressure Plates, Size 0A	KL-0025-16	24
Pair of Pressure Plates, Size 1	KL-0025-11	23
Pair of Pressure Plates, Size 2	KL-0025-12	24
Pair of Pressure Plates, Size 5	KL-0025-15	24
Pentagon Socket	KL-0461-10	67
Pentagon Socket	KL-1460-1	67

Description	Part No.	Page
Perforated Puller Plate, Size 2 (3-, 4- and 5-hole)	KL-0174-240	59
Pin-Type Face Spanner, Pin Ø 3mm	44 3	143
Pin-Type Face Spanner, Pin Ø 4mm	44 4	143
Pin-Type Face Spanner, Pin Ø 5mm	44 5	143
Pin-Type Face Spanner, Pin Ø 6mm	44 6	143
Pipe Bending Pliers	KL-0117-51	69
Piston ring compressor	125 0	74
Piston ring compressor	125 1	74
Piston ring compressor	125 2	74
Plastic Case	KL-4990-9222	172
Plastic Case	KL-4990-9224	172
Plastic Case	KL-4990-9272	172
Plastic Case	KL-4990-9274	172
Plastic Case	KL-4990-9322	172
Plastic Case	KL-4990-9324	172
Plastic Case	KL-4990-9372	172
Plastic Case	KL-4990-9374	172
Plastic Case	KL-4990-9472	172
Plastic Case	KL-4990-9474	172
Plastic Storage Box	KL-4990-2001	171
Plastic Storage Box	KL-4990-2002	171
Plastic Storage Box	KL-4990-2003	171
Pliers for Clutch Master Cylinder Piston Rod	KL-0118-10 A	141
Pliers for Light Bulbs	KL-0190-20	153
Pliers for Protection Cap	KL-0193-10 A	92
Pliers for Special Safety Rings	KL-0192-823	64
Premium Wheel Bearing Tool Kit Package	KL-8041-100 A	46
Press Frame	KL-0326-1000	169
Press Frame (Lightweight, Short Design)	KL-0039-1140	169
Press Frame Kit, without Drive, in a Foam Insert	KL-0039-1161 E	168
Press/Support Sleeve Set Ø 30-68mm (Long Design), with Guide Pins	KL-0039-1701	38
Press/Support Sleeve Set Ø 30-68mm (Short Design), with Guide Pins	KL-0039-1601	37
Press/Support Sleeve Set, Ø 30-90mm, long, 115mm, in a Foam Insert	KL-0039-170 E	38
Press/Support Sleeve Set, Ø 30-90mm, short, 45mm, in a Foam Insert	KL-0039-160 E	37
Pressing Device without Hydraulic Cylinder, Silentbloc, Rear Axle, Ford/Volvo	KL-0610-150 A	43
Pressure- and Vacuum Hand Pump, in a Storage Case	KL-0124-41 K	78
Pressure Gauge for KL-0040-2200, with 1/4" NPT Connection Thread	KL-0040-2229	163
Pressure Gauge for KL-0040-2500, with 1/4" NPT Connection Thread	KL-0040-2529	165
Pressure Gauge for KL-0040-2800, with 1/4" NPT Connection Thread	KL-0040-2829	167
Pressure Nut	KL-0040-2812-5	158
Pressure Nut, M24, Ø 20.5mm	KL-0040-2812-5	159
Pressure Spindle	KL-0174-610	158
Pressure Spindle	KL-0174-812	158
Pressure Spindle	KL-0174-611	158
Pressure Spindle	KL-0174-817	158
Pressure Spindle	KL-0174-620	158
Pressure Spindle	KL-0040-2241	158
Pressure Spindle	KL-0039-1930	158
Pressure Spindle	KL-0039-1931	158
Pry Bar	KL-0190-94	142
Pry Bar Set	KL-0193-95	142
Pry Bar with Handle	KL-0190-12	153
Pull Spindle	KL-0039-2010-1	158
Pull Spindle	KL-0039-1910-1	158
Pull Spindle	KL-0039-2012-1	158
Pull Spindle	KL-0039-1912-1	158
Pull Spindle	KL-0039-2014-1	158
Pull Spindle	KL-0039-1914-5	158
Pull Spindle	KL-0039-1914-1	158
Pull Spindle	KL-0039-2016-1	158

Description	Part No.	Page
Pull Spindle	KL-0040-2242-1	158
Pull Spindle	KL-0039-1916-1	158
Pull Spindle	KL-0039-2018-1	158
Pull Spindle	KL-0040-2545-1	158
Pull Spindle	KL-0039-2020-1	158
Pull Spindle	KL-0040-3008	158
Pull Spindle	KL-0039-2030	158
Pull Spindle	KL-0039-1920-1	158
Pull Spindle	KL-0040-2846-1	158
Pull Spindle	KL-0040-2841-1	158
Pull Spindle M10 with Quick-Action Clamping Nut	KL-0039-2110	159
Pull Spindle M10, with Collar- and Quick-Action Clamping Nut	KL-0039-2210	159
Pull Spindle M10, with Collar- and Quick-Action Clamping Nut	KL-0039-2212	159
Pull Spindle M10, with Collar- and Quick-Action Clamping Nut	KL-0039-2214	159
Pull Spindle M10, with Collar- and Quick-Action Clamping Nut	KL-0039-2216	159
Pull Spindle M10, with Collar- and Quick-Action Clamping Nut	KL-0039-2220	159
Pull Spindle M10x1,25 with Nut	KL-0039-1910	159
Pull Spindle M12 with Quick-Action Clamping Nut	KL-0039-2112	159
Pull Spindle M14 with Quick-Action Clamping Nut	KL-0039-2114	159
Pull Spindle M16 with Nut	KL-0040-2242	159
Pull Spindle M16 with Quick-Action Clamping Nut	KL-0039-2116	159
Pull Spindle M18 with Nut	KL-0039-2018	159
Pull Spindle M20 with Clamping Nut	KL-0039-1920	159
Pull Spindle M20 with Quick-Action Clamping Nut	KL-0039-2120	159
Pull Spindle M24 with Clamping Nut	KL-0040-2812	159
Pull Spindle M24 with Nut	KL-0040-2841	159
Pull Spindle, M10x1.25	KL-0214-1602	157
Pull-/Pressure Spindle	KL-0040-2812-1	158
Puller Bolt Type B, M12x1.25	KL-0174-722	61
Puller Bolt Type B, M14x1.25	KL-0174-727	61
Puller Bolt Type B, M14x1.5	KL-0174-724	61
Puller Bolt Type M, M12x1.25	KL-0174-762	61
Puller Bolt Type M, M12x1.5	KL-0174-763	61
Puller Bolt Type M, M14	KL-0174-767	61
Puller Bolt, Type B, M12x1.5	KL-0174-723	61
Puller Bolt, Type M, M14x1.5	KL-0174-764 A	61
Puller for Chain Slider Bolts, Mercedes/BMW	KL-0312-2	113
Puller for Injection Pump Sprocket, BMW	KL-0580-21	111
Puller for Sealing Ring	KL-0369-59	89
Puller for Timing Belt Sprockets, VW-Audi	KL-0282-52 K	105
Puller Plate Kit, Ford Transit	KL-0174-371	60
Puller Plate, Size 3 (3-, 4- and 5-hole)	KL-0174-360	59
Puller Set	KL-0174-110	58
Puller set	1.06/AS	143
Puller Set (for Wheel Hubs etc.), in a Foam Insert	KL-0174-150 E	59
Pulling Device for Joint Bush, Mercedes	KL-0043-11 B	41
Pulling Device for Silentbloc (Mechanical Drive)	KL-0039-413 K	36
Pulling Device without Drive, for Double-Type Silentbloc, VW-Audi	KL-0214-221	39
Quick-Action Clamping Nut	KL-0039-2110-2	158
Quick-Action Clamping Nut	KL-0039-2112-2	158
Quick-Action Clamping Nut	KL-0039-2114-2	158
Quick-Action Clamping Nut	KL-0039-2116-2	158
Quick-Action Clamping Nut	KL-0039-2120-2	158
Ratchet Pipe Cutter niro	224021	133
Reaction Wrench	KL-0366-7	128
Reaction Wrench Kit (470mm long, adjustable)	KL-0282-35 B	101
Reaction Wrench, Opel/Vauxhall	KL-0184-041	118
Reamer Set (adjustable) for Glow Plug Aperture, in a Plastic Storage Case	KL-0369-25 KA	99
Release/Removal Pliers	KL-0190-41 A	92
Release/Removal Pliers	KL-0190-41 A	150

Description	Part No.	Page
Removal Tool for Car Door Handle	KL-0273-10	148
Removal Tool for HENN® Clamps	KL-0124-59	75
Removal/Installation Tool for Fuel Return Line	KL-0289-20	76
Replacement Cutting Wheel	224211	133
Reservoir (12 Litre) with Lid	KL-0124-433	146
Reset Tool Kit for Double Clutch	KL-0500-71 K	140
Retaining Adaptor for Mechanical Spindle	KL-0039-1011	161
Retaining Adaptor, for Clamping Nut and Pressure Spindle	KL-0039-1002	161
Retaining Adaptor, for Hydraulic Cylinder	KL-0039-1003	161
Retaining Device	KL-0146-21	125
Retaining Device for Hydraulic Cylinder KL-0040-2500	KL-0040-258 A	166
Retaining Ring for M10, M12 and M14 Quick-Action Clamping Nuts	KL-0039-2190	161
Retaining Ring for M16 and M20 Quick-Action Clamping Nuts	KL-0039-2191	161
Retaining Ring Removal Tool Set, PSA	KL-0192-20 KA	50
Roller-Type Stud Removal Socket	KL-0369-300 A	94
Safety Belt for Hydraulic Cylinder (10t)	KL-0040-2290	163
Safety Belt for Hydraulic Cylinder (17t)	KL-0040-2590	165
Safety Belt for Hydraulic Cylinder (28t)	KL-0040-2890	167
Safety Belt for Mechanical Pulling Devices	KL-0040-2592	162
Screwdriver Bit Socket XZN-M18	KL-4031-3518	62
Screwdriver Bit Socket Set, 3/8"	KL-4021-310	67
Screwdriver Bit Socket, XZN-M18	KL-4031-4118	62
Seal Ring Installation Tool DV6 (16V)	KL-1383-30	90
Seal Ring Puller	KL-0178-10	74
Separator and puller set	1100-1.41/2A	144
Set of Glow Plug/Spark Plug Sockets with Joint	KL-0369-900 KC	93
Set of Hose Clamps (4-Piece Set)	KL-0121-20	76
Set of Locking Pins, Citroën/Mazda/Peugeot/Suzuki/Toyota/Volvo	KL-0680-220 B	120
Set of Plastic Wedges	KL-0194-130 A	150
Set of Pulling Hooks (long), Mercedes	KL-0372-3	151
Set of Quick-Action Clamping Nuts	KL-0039-23	160
Set of sleeves for silent blocks VW-Audi	KL-0214-181	40
Set of Sleeves Ford Focus III (Silentbloc Rear Axles)	KL-0610-134	43
Set of Sleeves, Ford/Mazda/Volvo	KL-0610-131 A	43
Set of Special Sockets, in a Storage Case	KL-0511-40 K	77
Set of Support Bolts, M6 (113.5mm and 153.5mm)	KL-0186-1234	84
Set of Support Bolts, M6, 129mm	KL-0186-1236	83
Set of Support Bolts, M6, 129mm	KL-0186-1238	84
Set of Support Bolts, M6, 145mm	KL-0186-1233	83
Set of Support Bolts, M6, 170mm	KL-0186-1240	83
Set of Support Bolts, M7, 132.5mm	KL-0186-1239	84
Set of taps (M6 - M8)	KL-0369-512	89
Set of Vacuum Line Plugs	KL-0121-75	82
Shock Absorber Holding-Down Clamp	KL-0029-1303	7
Shock absorber piston rod tool set, in foam insert	KL-0056-11 E	8
Sleeve Kit (W204)	KL-0356-141	42
Sleeve Set for Suspension Ball Joint, Renault/Dacia	KL-1210-221	36
Sleeve Set, Lower Suspension Ball Joint, Renault Master II / Opel/Vauxhall Movano I	KL-0039-732	35
Sleeve Set, Mercedes Sprinter/VW Crafter	KL-0039-7533	34
Sleeve Set, Mercedes W639 Rear Axle	KL-0039-213	50
Sleeve Set, Upper Suspension Ball Joint, Renault Master II / Opel/Vauxhall Movano I	KL-0039-722	35
Slide Hammer Puller (Base Tool)	KL-0049-100	156
Slide Hammer Puller (Base Tool)	KL-0049-101	156
Slide Hammer Puller Base Tool, 1.5kg	KL-0369-4100	157
Slide Hammer Puller Base Tool, 4.8kg	KL-0049-300	157
Socket Set, Brakes	KL-0112-90	67
Socket Set, Brakes	KL-0112-91	68
Socket spanner set 1/2", EP TorxPlus®, 7 pcs.	KL-4043-300	149
Socket spanner set 1/4" + 3/8", IP TorxPlus®, 11 pcs.	KL-4043-100	149
Socket spanner set 3/8", EP TorxPlus®, 7 pcs.	KL-4043-200	149

Description	Part No.	Page
Socket Wrench Set for Pressure Capsule with Charge Pressure Actuator Position Sensor	KL-0286-20	79
Spare Chain	KL-0131-5101	133
Spark Plug Connector Pliers	KL-0127-6	92
Spark Plug Socket, Size (waf) 14mm	KL-0127-43	94
Spark Plug Socket, Size (waf) 14mm	KL-0127-44	94
Spark Plug Socket, Size (waf) 16mm	KL-0127-46	94
Special Bi-Hex Socket, waf 30mm	D 19 L 30	63
Special Bi-Hex Socket, waf 32mm	D 19 L 32	63
Special Bi-Hex Socket, waf 34mm	D 19 L 34	63
Special Bi-Hex Socket, waf 36mm	D 19 36	63
Special Screwdriver Bit Socket with Bore, Torx® T30	KL-0191-10	151
Special Screwdriver Bit Socket, Torx® T30	KL-0191-11	151
Special Socket (13mm waf), Strut Mount, VW	KL-0050-60	9
Special Socket (14mm waf), Strut Mount, VW	KL-0050-61	9
Special Socket, 44mm waf, PSA	KL-1340-401	34
Spreader Tool Kit (adjustable), with Wedge No.1 + 2 + 4 + 5	KL-0104-21 KB	7
Spreader Tool Upgrade Kit, Lower Ball Joint, Audi	KL-0104-214	7
Spreader Tool with Wedge No.1 and No.2	KL-0104-21-1 B	7
Spring Compressor (Short Design) with Pressure Plates Size 1+2	KL-0025-20 E	23
Spring Compressor with Protective Inserts	KL-0015 SP	17
Spring Compressor with Protective Inserts	KL-2000 SP	17
Spring Compressor, in a Foam Insert	KL-9002 SP E	13
Spring Compressor, Stationary	KL-5501 B	10
Star Lock Washer Removal/InstallationTool	KL-0194-51	133
Storage Case with Insert (without tools)	KL-4999-1390	173
Storage Case with Insert (without tools)	KL-4999-1391	173
Storage Case with Insert (without tools)	KL-4999-1392	173
Storage Case with Insert (without tools)	KL-4999-1393	173
Storage Case with Insert (without tools)	KL-4999-1394	173
Storage Case with Insert (without tools)	KL-4999-1395	173
Storage Case with Insert (without tools)	KL-4999-1396	173
Stud Tool, 3/8"	KL-0181-1	72
Stützbolzen-/Ergänzungs-Satz für KL-0186-14 EA	KL-0186-132	85
Supplementary Kit Delphi / Bosch Injector M18	KL-0186-1285	87
Supplementary Kit Denso Injector M16x1	KL-0186-1283	86
Supplementary Kit Denso Injector M20x1	KL-0186-1284	87
Supplementary Kit for Closed Wheel Bearings, Ford Transit	KL-0174-372	60
Supplementary kit for KL-0214-221	KL-0214-241	40
Supplementary kit of threaded bolts M9 (3 pieces)	KL-0500-4012	137
Supplementary Kit Siemens Injector M25x1	KL-0186-1281	86
Supplementary Kit Siemens Injector M27x1	KL-0186-1282	86
Support Ring Set	KL-0039-807 B	49
Supporting Device for Control Arm	KL-0145-120 A	9
Swivel Head	KL-4007-3112	156
Swivel Head Breaker Bar, 1/2", Length 620mm	KL-4007-311	156
Swivel Head Breaker Bar, 3/4", 980mm	KL-4007-411	156
Telescopic Magnetic Lifter	KL-0126-206	154
Telescopic Mirror, Ø 50mm, 300mm long	KL-0126-261	154
Tension Pulley Spanner, Size (waf) 16mm	KL-0284-92	128
Tensioner Tool with Locking Pin	KL-1381-30	119
Tensioner Tool, Ford	KL-0680-262 A	113
Terminal Tool Set for Push-On Contacts	KL-0190-28 K	152
Test Lamp	KL-0190-30	153
Thread Repair Kit for Glow Plug Thread M10x1	KL-0132-51 K	100
Thread Repair Kit for Glow Plug Thread M8x1	KL-0132-53 K	100
Thrust Piece	KL-0039-1935	160
Thrust Piece for Drive Shafts	KL-0174-856	160
Thrust piece, short	KL-0174-3701	159
Toe Measuring Gauge	KL-0169-60	29
Tool Kit for Elastic V-Ribbed Belts	KL-0183-71 K	126

Description	Part No.	Page
Tool Kit for V-Ribbed Belts	KL-0183-70 K	126
Tool Set for Auxiliary Stretch Belts	KL-0183-72 K	126
Torx® Screwdriver with T-Handle, T30x350mm	KL-4306-6330	148
Track Rod Adjustment Tool	KL-0169-1 B	29
Universal Glow Plug Tool Set, in a Foam Insert	KL-0132-56 EB	95
Universal Injector Nozzle Puller Set, in a Foam Insert	KL-0186-14 EA	82
Universal puller assortment	1100-1.04	144
Universal Wrench for Inner Track Rod Joint, Ø 30-43mm	KL-0167-15 A	30
Update Tool Kit for Double Clutch	KL-0500-61 K	140
Upgrade Kit (Drive Shaft Removal)	KL-0174-911	162
Upgrade Kit for KL-0029-120 A, VW-Audi	KL-0029-122	5
Upgrade Kit for KL-0039-750, Mercedes Sprinter/VW Crafter	KL-0039-7535	34
Upgrade Kit for KL-0186-14 EA	KL-0186-130 A	85
Upgrade Kit for KL-0250-43 K to form KL-0250-43 KA	KL-0250-434	33
Upgrade Kit Ford Transit; Closed Wheel Bearings	KL-0040-862	52
Upgrade Kit Ford Transit; Closed Wheel Bearings	KL-0040-862	70
Upgrade Kit, Denso, M14x1.5 / 30°	KL-0186-9301	81
Upgrade Kit, Ford Transit Rear Axle	KL-0040-861	52
Upgrade Kit, Ford Transit Rear Axle	KL-0040-861	70
Upgrade Kit, Ford/Volvo	KL-0610-151 A	43
Upgrade Kit, M12x1 / 20°	KL-0186-9401	81
Upgrade Kit, M14 / 45°	KL-0186-9101 A	81
Upgrade Kit, Opel/Vauxhall Insignia B	KL-5501-193	12
Upgrade Kit, Rear Axle Carrier (W204)	KL-0356-142	42
Upgrade Kit, Size 1, Size 2, Size 3, VW-Audi	KL-0029-110 A	5
Upgrade Kit, Size 2, VW-Audi	KL-0029-120 A	5
Upgrade Kit, Size 3, VW-Audi	KL-0029-130 A	6
Upgrade Kit, Size 5, Ford	KL-0029-150	6
Upgrade Kit, Size 6 (BMW)	KL-0029-160 A	6
Upgrade Kit, Size 7, VW T5	KL-0029-170	6
Upgrade Tool Kit for Double Clutch, Ford	KL-0500-83 K	139
Upgrade Tool Kit for Double Clutch, VW	KL-0500-81 K	139
Valve Collet Assembly Tool, Ø 6mm	KL-0125-602	72
Valve Lapper Tool, Ø 16/21mm	KL-0125-70	72
VDE Tool assortment HYBRID, in GEDORE L-BOXX® 136	1100-1094	154
Vernier Caliper for Brake Discs	KL-0140-29	69
Vibration Damper Mounting Device VW-Audi	KL-0280-768 E	109
Wall Bracket, long	KL-5501-212	111
Wheel Bearing Installation Tool, Ø 78/82mm	KL-0041-461 D	56
Wheel Bearing Installation Tool, Ø 82mm	KL-0041-441 C	55
Wheel Bearing Installation Tool, Ø 85mm	KL-0041-451 B	55
Wheel Bearing Tool Kit, in a Foam Insert	KL-0041-740 E	51
Wheel Bearing Tool Kit, in a Foam Insert	KL-0041-480 EA	54
Wheel Bearing Tool Kit, Mercedes-Benz Vito/Viano/Sprinter, VW Crafter	KL-0041-510	56
Wheel Bearing Tool Set (Mechanical Drive)	KL-0039-0110 K	46
Wheel Bearing Tool Set 1 (Base Set), in a Foam Insert	KL-0039-8131 E	47
Wheel Bearing Tool Set 2, in a Foam Insert	KL-0039-814 E	48
Wheel Bearing Tool Set, Ford Transit	KL-0040-860	52
Wheel Bearing Tool Set, Ford Transit	KL-0040-860	70
Wheel Bearing Tool Set, Iveco Daily	KL-0041-800	57
Wheel Hub Locking Tool	KL-0115	62
Wheel Hub Puller, in a Foam Insert	KL-0041-380 EA	53
Wiper Arm Puller	1.12/01	148
Wrench Set	KL-0183-2	127

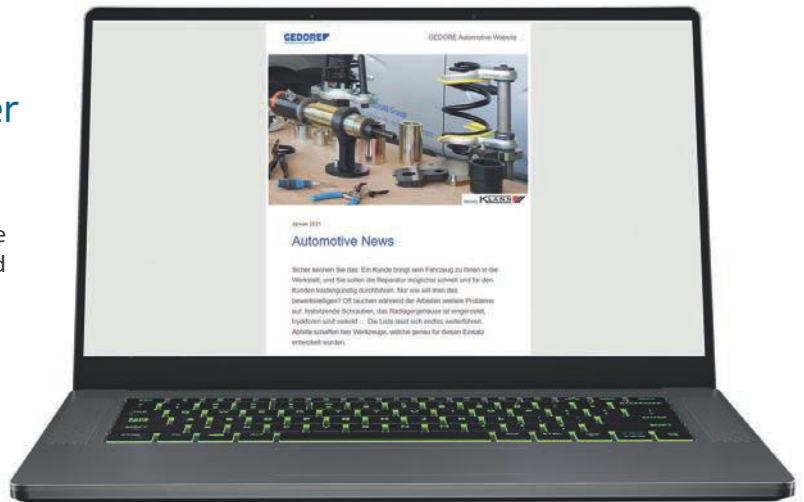
ALWAYS UP TO DATE!

GEDORE Automotive Newsletter

Always up to date.

With the Gedore Automotive Newsletter you will receive information on new products, brochures, catalogues and much more.

So register now at: www.gedore-automotive.com



Visit us on ...



... and on our Homepage



HIGH-QUALITY SPECIALIST TOOLS

Durable, safe and innovative.

KIS

KLANN Information System

Das GEDORE/KLANN Information System „KIS“

Who doesn't know the problem with OE tool numbers!
You have an OE tool number from the repair instructions and now need the GEDORE/KLANN special tool.
The recording was previously very time-consuming for the workshop and for the wholesaler.
That is why you have the GEDORE/KLANN Information System "KIS" at "www.gedore-automotive.com".
Here you can convert the OE tool numbers to our article numbers.
This enables the workshop to quickly and easily determine which GEDORE/KLANN special tools are required for professional and problem-free repair work.
The "KIS" is constantly being expanded to include new areas with the a view to the future.

You also have convenient access to our "KIS" with your mobile phone. This allows you to convert OE tool numbers to our article numbers at any time and wherever you are.

KIS goes mobile ...



Impressum

As part of our commitment to continuous product improvement and adaptation to state-of-the art technology, we reserve the right to make modifications to our products with regard to design, dimension, weight, features and performances at any time and without prior notice.

Thus, the right to adjustments or replacement deliveries of goods already delivered is excluded. Cuts and cancellations can be made by us at any time without notice and no legal claims against us may arise or be derived from this.

All indications regarding use and safety are given for information only and without any commitment. In no case do they substitute for legal provisions or the regulations of the Employer's Liability Insurance Association.

Errors and omissions excepted.

All information and technical data in this document were compiled with the utmost care. However, GEDORE Automotive GmbH assume no responsibility for possible errors and omissions.

Any reproduction, also in extracts, is subject to the prior written consent of GEDORE Automotive GmbH. All rights reserved.

We refer to our General Terms and Conditions of Sale under 'Imprint' at www.gedore-automotive.com.

printed 05/21, 210410EN
Code 3406431

© GEDORE Automotive GmbH, Donaueschingen (GERMANY)
Subject to technical modifications!



GEDORE Automotive GmbH
Breslauer Straße 41
78166 Donaueschingen · GERMANY

T +49 (0) 771 - 83223 - 0
F +49 (0) 771 - 83223 - 90
info.gam@gedore.com
www.gedore-automotive.com

Brands of the GEDORE Group
gedore.com · ochsenkopf.com