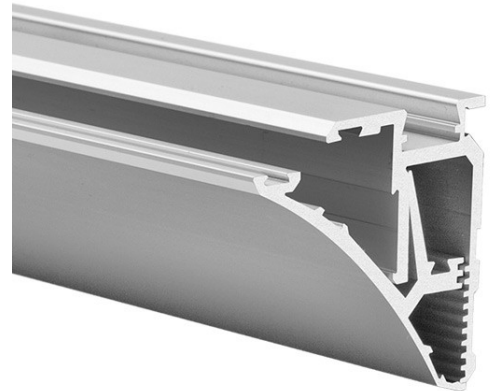


PRODUCT DESCRIPTION

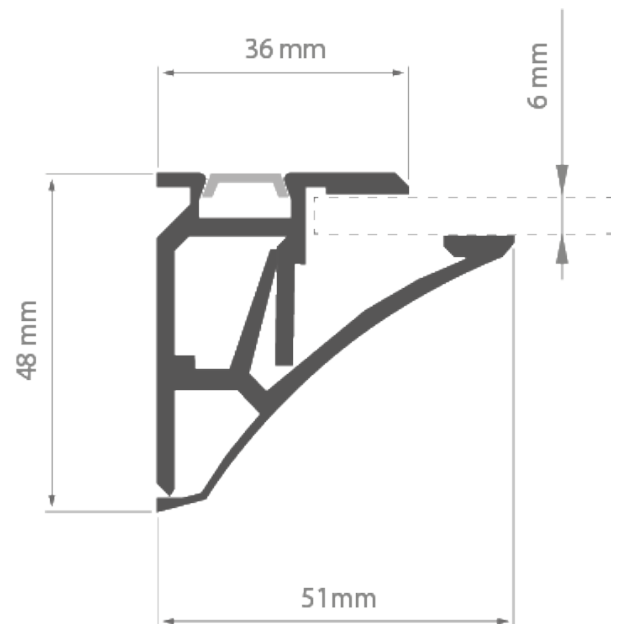
- Mounting can be adjusted to the thickness of the shelf
- Double independent lighting modes - edge and surface

Fill empty fields

Product nr.	
Fixture type	
Company	
Job name	
Date	

**TECHNICAL SPECIFICATION**

18035ANODA_1	Silver anodized	1000 mm
18035ANODA_2	Silver anodized	2000 mm
18035ANODA_3	Silver anodized	3000 mm

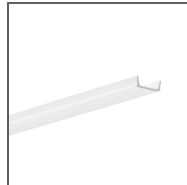


RELATED PRODUCTS

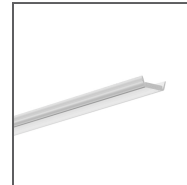
COVERS



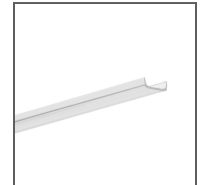
Ref: 17036



Ref: 17035



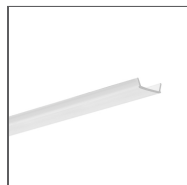
Ref: 1370



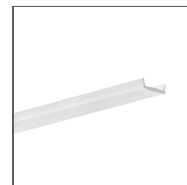
Ref: 17122



Ref: 1369



Ref: 17121



Ref: 17037

END CAPS



Ref: 24193



Ref: 24196

MARKETING MATERIALS



Ref: 90095M