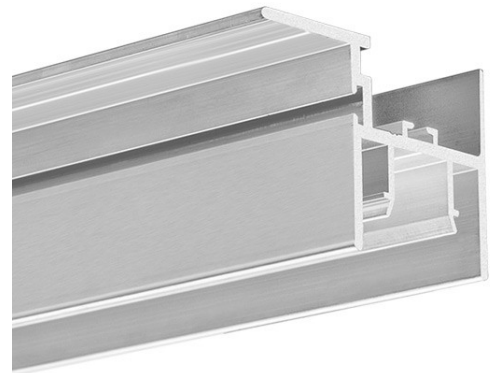


**PRODUCT DESCRIPTION**

- Combines several functions:
  - lighting fixture
  - frame for a stretched ceiling
- The extrusion has a channel adapted to attach standard harpoons used in stretched surfaces
- The FOLED system opens new possibilities of interior design

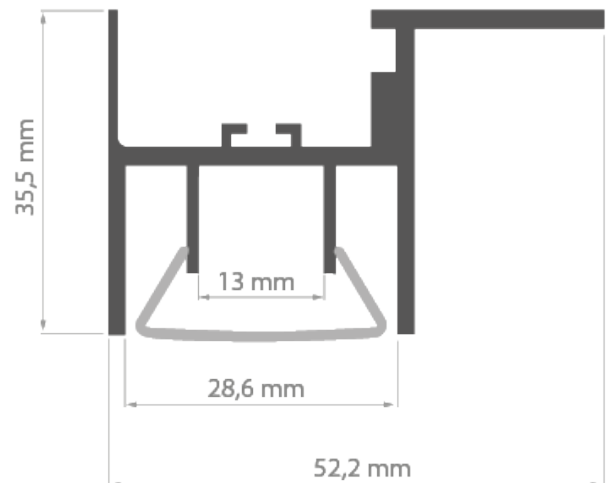


Fill empty fields

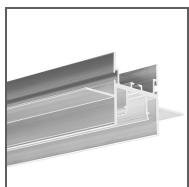
Product nr.	
Fixture type	
Company	
Job name	
Date	

**TECHNICAL SPECIFICATION**

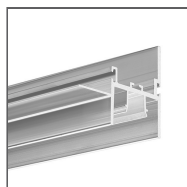
B8333V1NA_1	Non anodized (raw)	1000 mm
B8333V1NA_2	Non anodized (raw)	2000 mm
B8333V1NA_3	Non anodized (raw)	3000 mm



## RELATED PROFILES



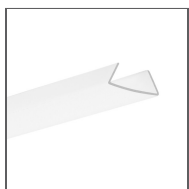
Ref: B8332V1NA



Ref: B8334V1NA

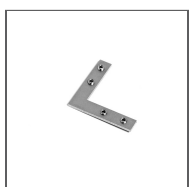
## RELATED PRODUCTS

### COVERS

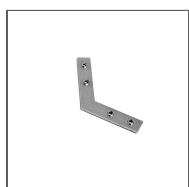


Ref: 17077V1

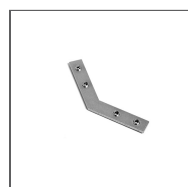
### ACCESSORIES



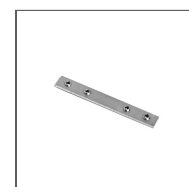
Ref: 42723



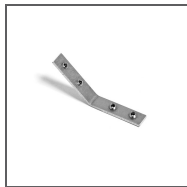
Ref: 42729



Ref: 42725



Ref: 42724



Ref: 42727



Ref: 42726

## MARKETING MATERIALS



Ref: 90112M