

PRODUCT DESCRIPTION

- Miniature external dimensions (outer diameter 10.5 mm)
- Smooth exterior walls for a modern look
- Easy bending of the profile
- Narrow, subtle line of light

FINISH :

Silver anodized Black anodized

*Custom colors available upon request



Fill empty fields

Product nr.	
Fixture type	
Company	
Job name	
Date	

TECHNICAL SPECIFICATION

Application

- general purpose profile

Assembly

- with conductive end caps

Additional information

- the lighting fixture is 360 degrees rotatable when coupled with [PIKO-O conductive end caps](#)
- PIKO-O is compatible with **5 mm wide LED strips**. The PIKO-O profile is available as silver anode and black anode
- maximum deflection of the PIKO-O profile at a length of:
 - 3 m is 45 mm
 - 2 m is 25 mm
 - 1.75 m is 15 mm
 - 1.50 m is 10 mm
 - 1.20 m is 5 mm
 - 1 m is 2 mm
- spece for LED strip: 6.2 mm

The [PIKO-O conductive end cap](#) is designed for single-pole conductivity.
The maximum forward current for the [PIKO-O conductive end cap](#) is 2 A.

Profile bending with LUK-10 cover

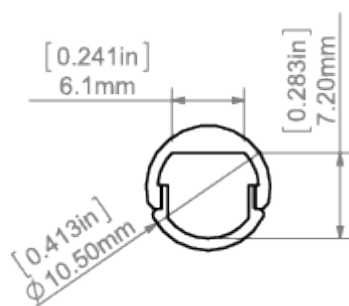
Minimum internal radius	Minimum external radius
150 mm	1000 mm

- minimum radius - bending radius which when exceeded causes destruction (deformation, bending or lack of compatibility with other accessories, e.g. covers, end caps, etc.) of the profile
- internal radius - refers to the profile bent so that the cover is facing the inside of the arch - external radius
- refers to the profile bent so that the cover is facing the outside of the arch
- irregular curves are possible after consultation and individual quotation
- when bending anodized profiles, one should be aware of cracking of the anode coating (which may be more or less visible depending on the radius).

AVAILABLE LENGTHS

Ref. nr.	surface finish	available lengths
C1167ANODA_1	Silver anodized	1000 mm
C1167ANODA_2	Silver anodized	2000 mm
C1167ANODA_3	Silver anodized	3000 mm
C1167K7_1	Black anodized	1000 mm
C1167K7_2	Black anodized	2000 mm
C1167K7_3	Black anodized	3000 mm

TECHNICAL DRAWING



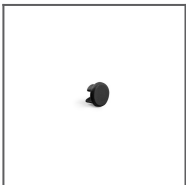
RELATED PRODUCTS

COVERS



LUK-10 frosted
Cover
Ref: 17164

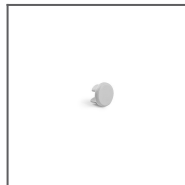
END CAPS



PIKO-O black End
cap
Ref: 24327



PIKO-O gray
electricity
conductive End
cap
Ref: 42631



PIKO-O grey End
cap
Ref: 24321