

PRODUCT DESCRIPTION

- Impressive lighting of large rooms with high ceilings
- Bi-directional lighting (two-sided line of light)
- Possibility to mount vertically, horizontally or diagonally
- Can be used with up to 14mm wide LED strips
- Extended range of additional accessories

FINISH :

Silver anodized

*Custom colors available upon request



Fill empty fields

Product nr.	
Fixture type	
Company	
Job name	
Date	

TECHNICAL SPECIFICATION

Application

- for decorating large rooms with high ceilings, e.g. interiors of public facilities (stations, shopping malls, theatres, libraries, staircases, etc.)
- for spatial light installations
- for the construction of linear lighting fixtures which illuminate at a wide light angle

Assembly

- on cables and conductive rods, through end caps

Additional information

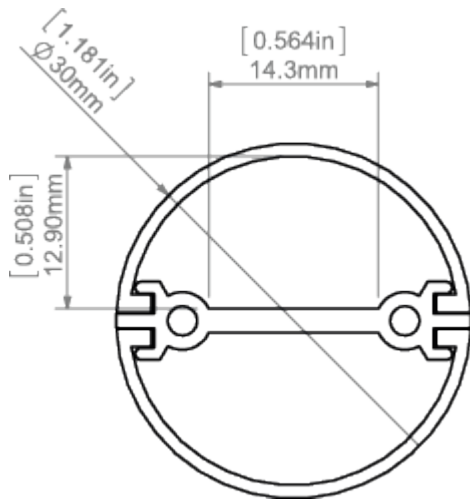
For lighting fixtures with increased power consumption and long suspension, it is recommended to use a conductive end cap with a hole through which a wire with a suitable gauge wire can be run.

Due to the thermal expansion of the cover, the aluminum extrusion should be shortened by 10 to 12 mm with respect to the cover. For fixtures above 1m in length, it is recommended to shorten the profile precisely by 10mm.

- end caps firmly mounted with the use of bolts with decorative heads
- low voltage power
- durable structure
- very little aluminium visible
- large lighting surface
- spece for LED strip: 14.3 mm

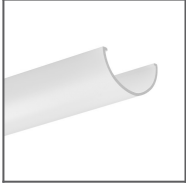
AVAILABLE LENGTHS

Ref. nr.	surface finish	available lengths
C0788ANODA_1	Silver anodized	1000mm
C0788ANODA_2	Silver anodized	2000mm
C0788ANODA_3	Silver anodized	3000mm

TECHNICAL DRAWING

RELATED PRODUCTS

COVERS

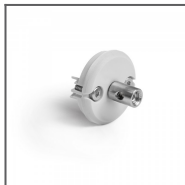


JAZ-DUO frosted
Cover
Ref: 17163

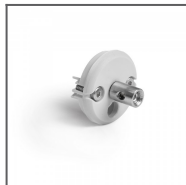
END CAPS



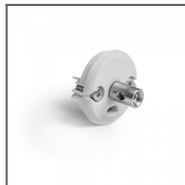
JAZ-DUO-N grey
End cap
Ref: 42641



JAZ-DUO-N grey
electricity
conductive End
cap
Ref: 42632



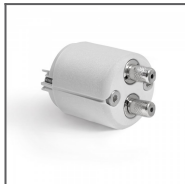
JAZ-DUO-N-FI-6,5
grey End cap
Ref: 42643



JAZ-DUO-N-OTW
grey End cap
Ref: 42644



JAZ-DUO-W grey
End cap
Ref: 42642



JAZ-DUO-W grey
electricity
conductive End
cap
Ref: 42633

ACCESSORIES



8,8x1,2 Gland
Ref: 00802



Isolated CU cable
FI-1.35 mm
Ref: 70310