

Parts needed to mount the TOST extrusion



Extrusion (A)



End caps (B)



Cover (C)



LED strip (D)

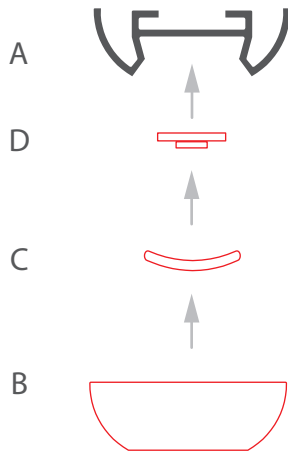
Tools needed for mounting:

- double-sided tape

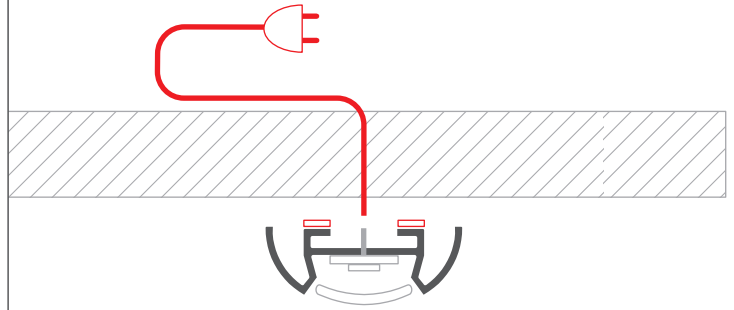
NOTE! All LED strips must be connected to a 12 V or 24 V power supply.

IMPORTANT: The manual presents the simplest mounting procedure. More mounting procedures and related accessories can be found at www.klusdesign.eu

1. Mount the LED strip (D), insert the cover (C), and insert the end cap (B).



2. Apply the double-sided tape to the extrusion (A).



3. Connect power to the LED strip and attach the extrusion (A) to the surface.

