

### Części niezbędne do skonstruowania oprawy na bazie profilu MICRO-H



Mounting  
bracket (A)



Extrusion (B)



LED strip (C)



Cover (D)



End cap (E)

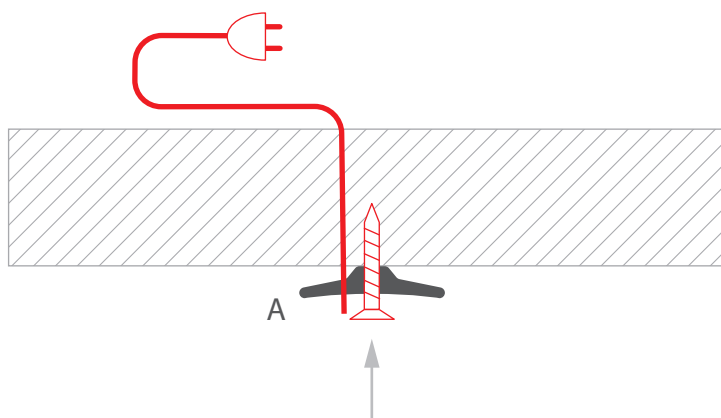
### Tools needed for mounting:

- screwdriver

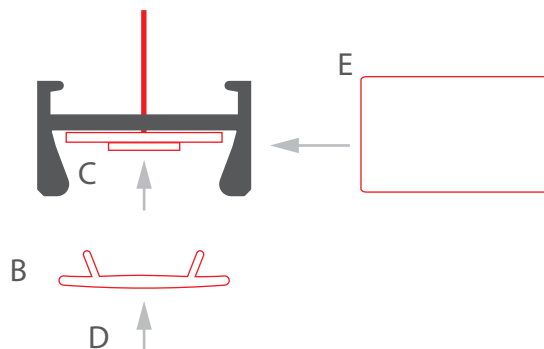
**WARNING!** All LED strips should be connected to a 12 V or 24 V power supply.

**IMPORTANT:** The mounting instructions present the basic form of assembly.  
More methods and related accessories can be found at [www.KlusDesign.eu](http://www.KlusDesign.eu)

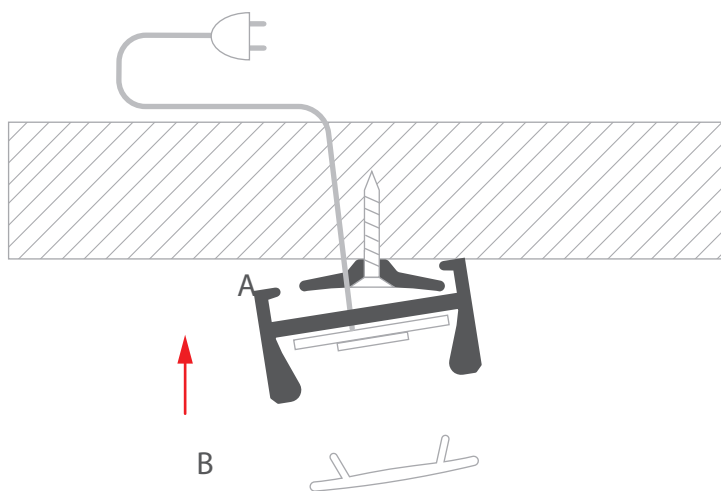
- 1.** Feed the power cable. Attach the mounting bracket (A) to the surface with screws. It is recommended to use the fasteners at a distance of about 50 cm from each other, but not less than 2 pieces for one section of the fixture.



- 2.** Install the LED strip (C) in the extrusion (B), insert the cover (D) and the end caps (E).



- 3.** Connect power to the LED strip and mount the extrusion (B) in the mounting brackets (A).



- NOTE!** Unusual disassembly of the extrusion. Move the extrusion (B) horizontally, gently pull one of the sides of the extrusion (B) down, and take the extrusion off the mounting brackets (A).

