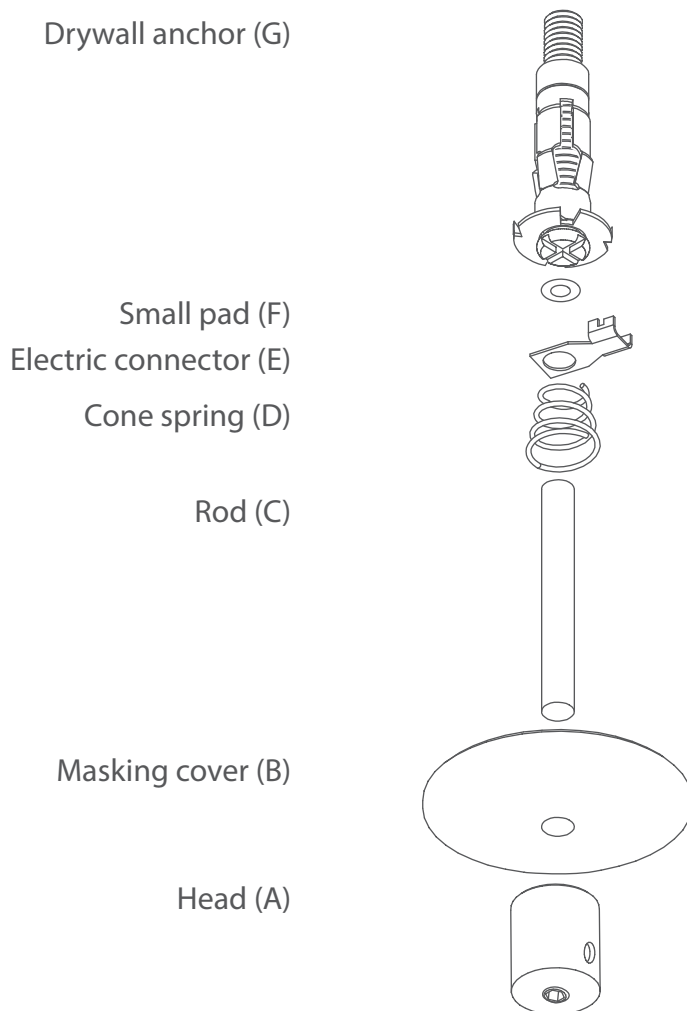


Parts needed to mount the P-KG-49-Z fastener:

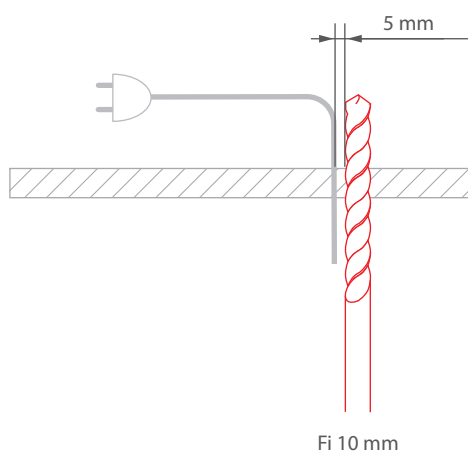


Tools needed when mounting:

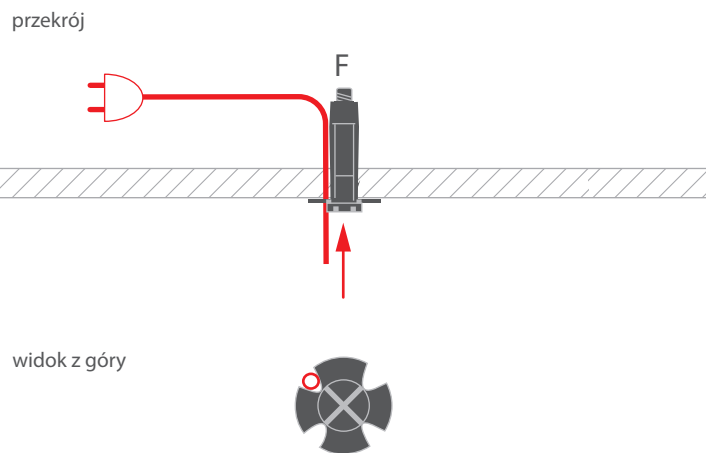
- allen wrench
- drill
- hollow wall anchor setting tool

NOTE! A list of products corresponding with the selected accessories is available at www.klusdesign.eu

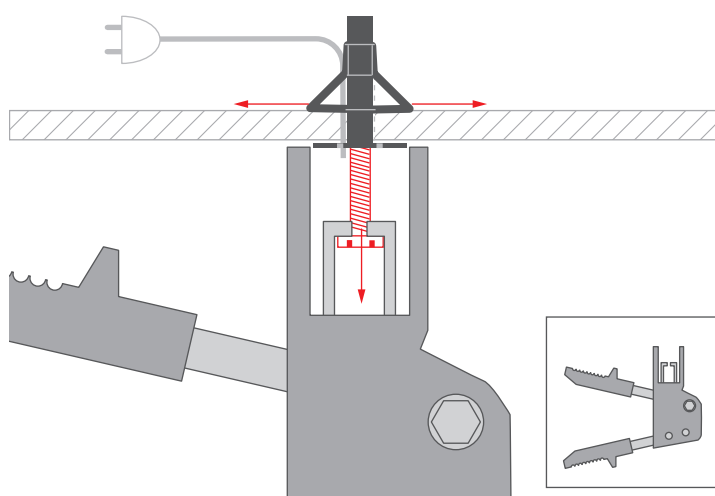
1. Drill a hole in a drywall 10 mm in diameter. The hole must be located within 5mm of the power wire.



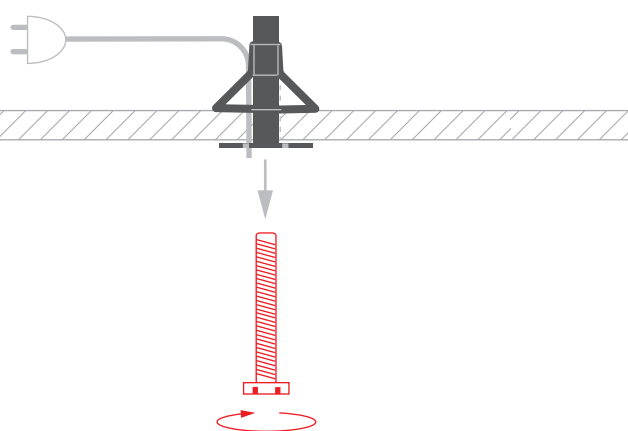
2. Insert the anchor (G) into the hole. The wire needs to be placed in one of the indentations on the anchor's collar.



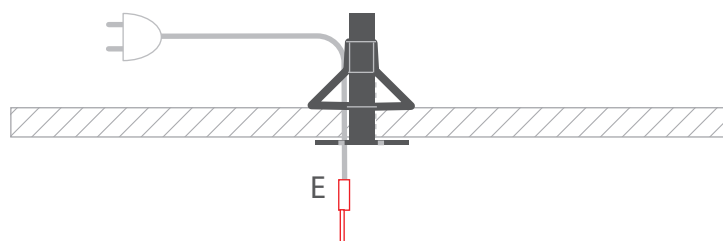
3. Pull the screw with dedicated hollow wall anchor setting tool to expand the anchor and secure it in the drywall.



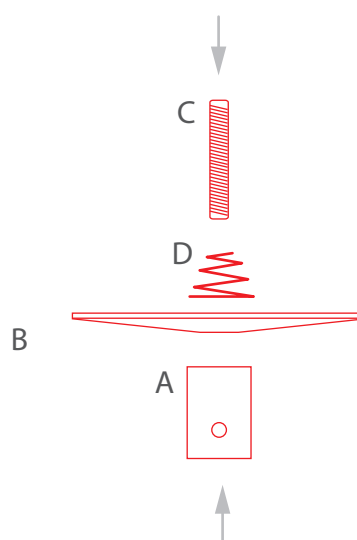
4. Remove the screw from the anchor.



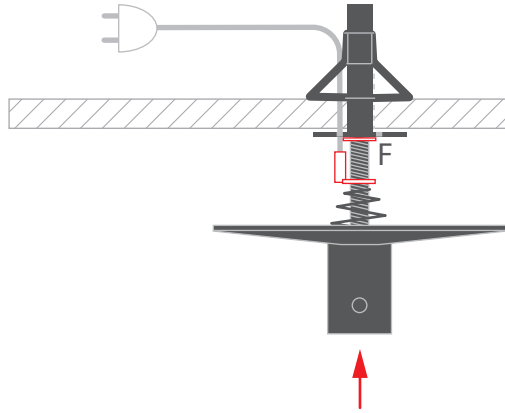
5. Connect the electric connector to the outgoing wire (E).



6. Assembly together – rod (C), cone spring (D), masking cover (B), and head (A).



7. Bend the current connector (E) so that the threaded rod (C) will go through it the fastener into the anchor. Insert the small pad (F).



8. Mount the rod from the fixture into the head. Block the rod by tightening the allen screw with the allen key.

