

PRODUCT DESCRIPTION

Transverse conductive fastener 49, designed for mounting lighting fixtures in drywall panels. It has an anchor for drywall, a connection for one pole of electricity and a transverse hole for the FI-3 ROD. Additionally, it comes with the 49 masking cover to conceal ragged edges of the hole

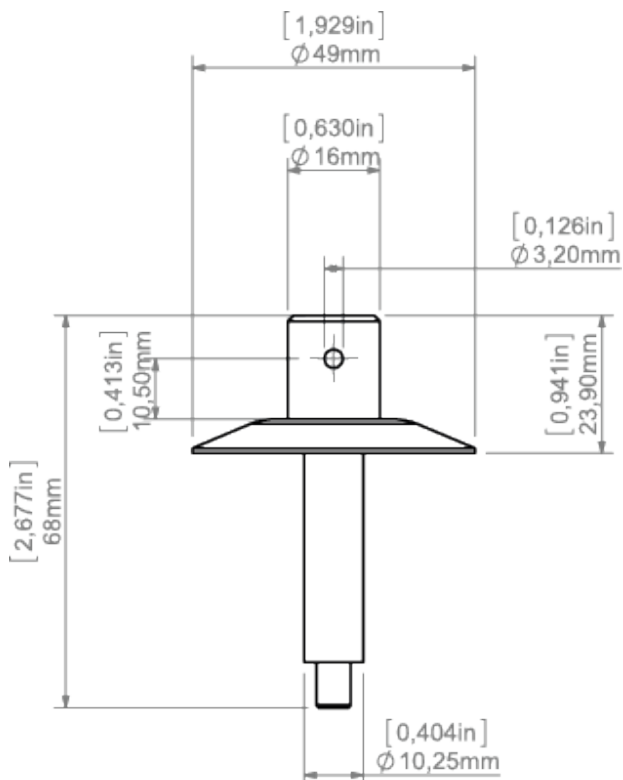
Fill empty fields

Product nr.	
Fixture type	
Company	
Job name	
Date	



TECHNICAL SPECIFICATION

TECHNICAL DRAWING



RELATED PRODUCTS

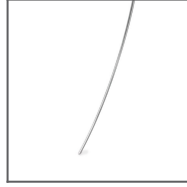
ACCESSORIES



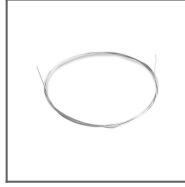
100 PUSZ brass
chrome Rod 1 m
Ref: 42518



Brass chrome FI-3
Rod 1m
Ref: 42501



Steel FI-3 Rod 53
cm
Ref: 1528



Steel cable with
Cu FI 0.95 mm
core
Ref: 70240



Steel wire FI-1 1m
Ref: 1397