

PRODUCT DESCRIPTION

Standard fastener for light-weight fixtures, designed for the PDS-O profile. It is inserted into the profile through a pre-drilled hole. Power is supplied outside the fastener to a power connector. One current pole is powered from one fastener that is equipped with a LONGITUDINAL Hole for the FI-3 ROD, which acts as a power conductor

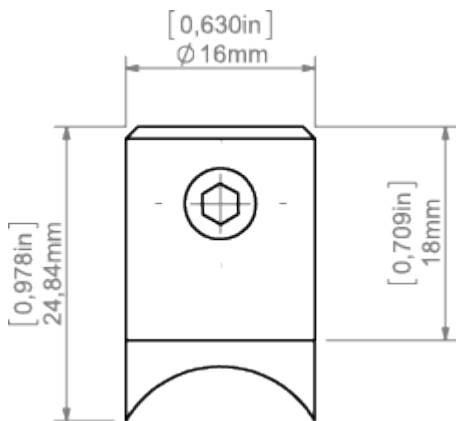
Fill empty fields

Product nr.	
Fixture type	
Company	
Job name	
Date	

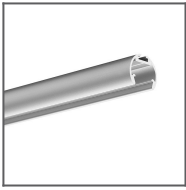


TECHNICAL SPECIFICATION

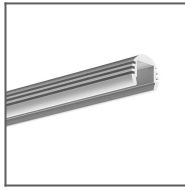
TECHNICAL DRAWING



RELATED PROFILES



OLEK Profile
Ref: B8505



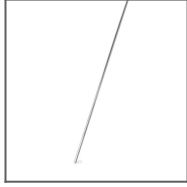
PDS-O Profile
Ref: B3777

RELATED PRODUCTS

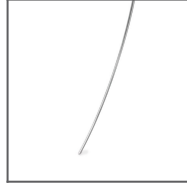
ACCESSORIES



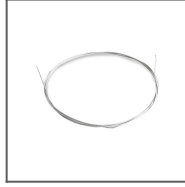
100 PUSZ brass
chrome Rod 1 m
Ref: 42518



Brass chrome FI-3
Rod 1m
Ref: 42501



Steel FI-3 Rod 53
cm
Ref: 1528



Steel wire FI-1 1m
Ref: 1397