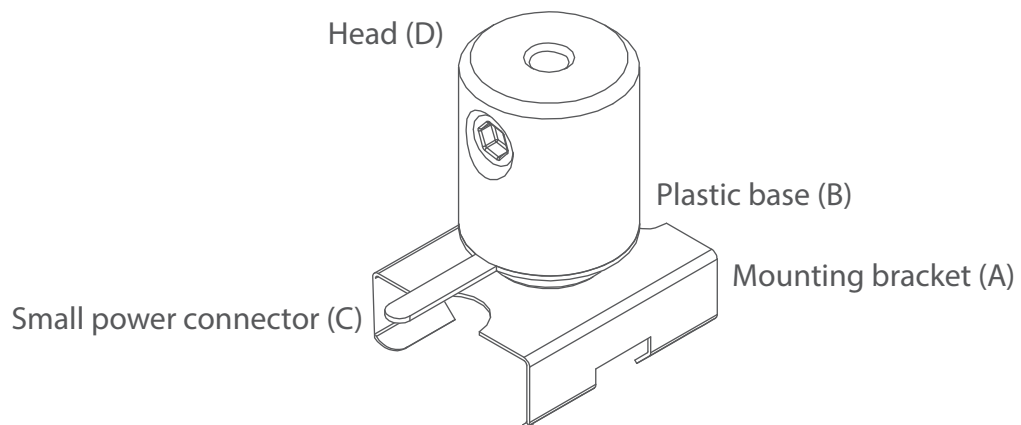


**Parts needed to mount the DP-45-MOC-ZZ fastener**

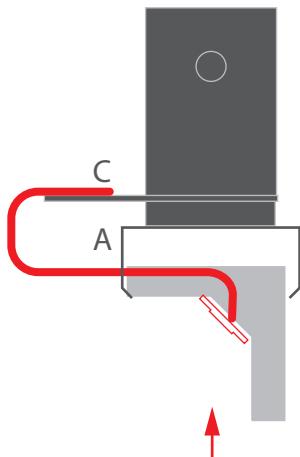


**Tools needed for mounting:**

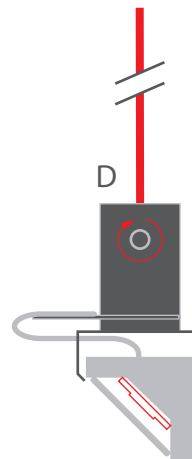
- Allen wrench
- drill
- soldering tool

**NOTE!** A list of products corresponding with the selected accessories is available at [www.KlusDesign.eu](http://www.KlusDesign.eu)

**1.** Insert an assembled lighting fixture into the mounting bracket of the head (A) and connect the power cable to the power connector (C).



**2.** Insert the rod into the mounting bracket of the head (D). Block the rod by tightening the pressure screw in the head with the Allan wrench.



**3.** Suspend the lighting fixture using a selected suspension and power supply system.

