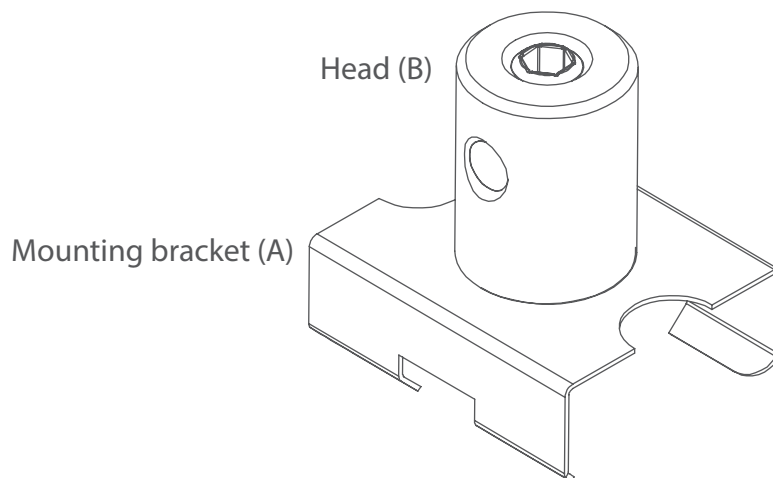


**Parts needed to mount the ST-45 standard head**

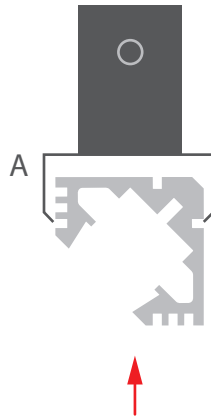


**Tools needed for mounting:**

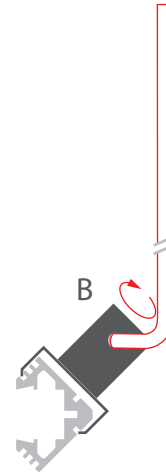
- allen wrench

**NOTE!** A list of products corresponding with the selected accessories is available at [www.KlusDesign.eu](http://www.KlusDesign.eu)

**1.** Insert the lighting fixture into the mounting bracket (A).



**2.** Mount the arm in the head (B) by tightening the pressure screw in the head with the Allen wrench.



**3. NOTE!** The position of the lighting fixture on the arm can be adjusted in the range of 360° (depending on the distance of the fastener from the edge of the extrusion).

