

PRODUCT DESCRIPTION

- High resistance to damage
- Will not corrode
- Simple assembly
- Aesthetically finishing the extrusion
- Has a socket for one pole of electricity



Fill empty fields

Product nr.	
Fixture type	
Company	
Job name	
Date	

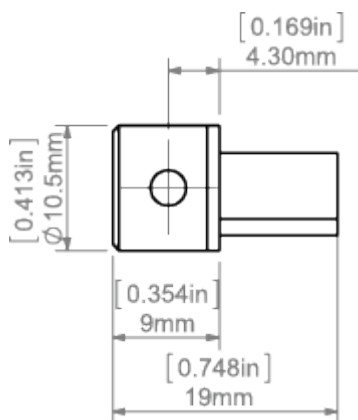
TECHNICAL SPECIFICATION

Additional information

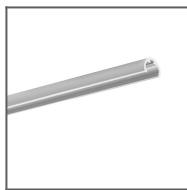
The PIKO-O conductive end cap is designed for single-pole conductivity. The maximum forward current for the PIKO-O conductive end cap is 2 A.

Material	ABS, metal components
Colour	steel

TECHNICAL DRAWING



RELATED PROFILES



PIKO-O Profile
Ref: C1167