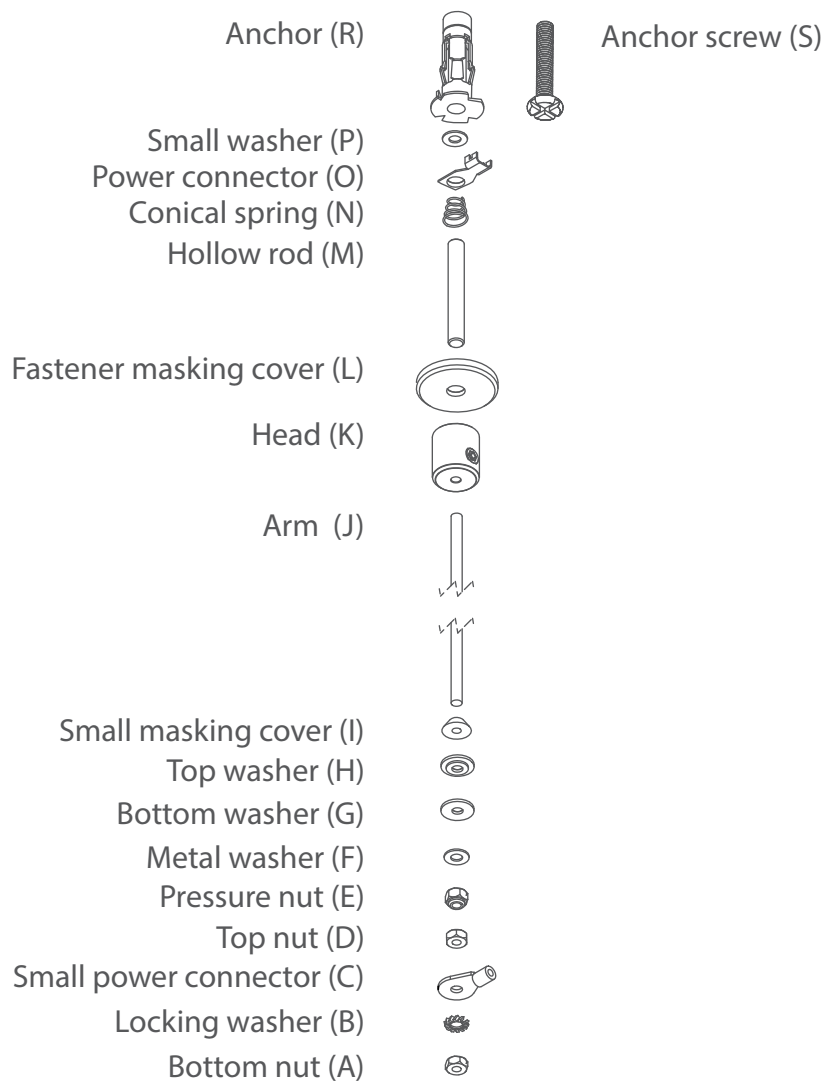


Parts needed to assemble and mount the M15 fastener set

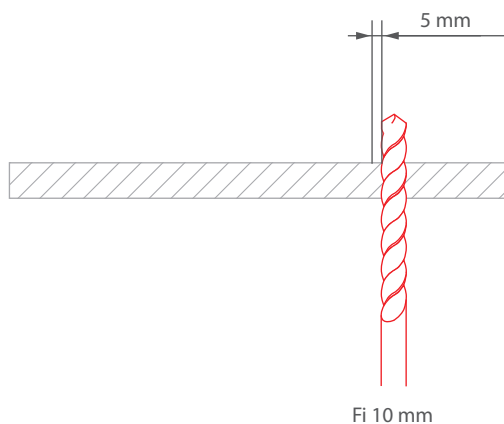


Tools needed for mounting:

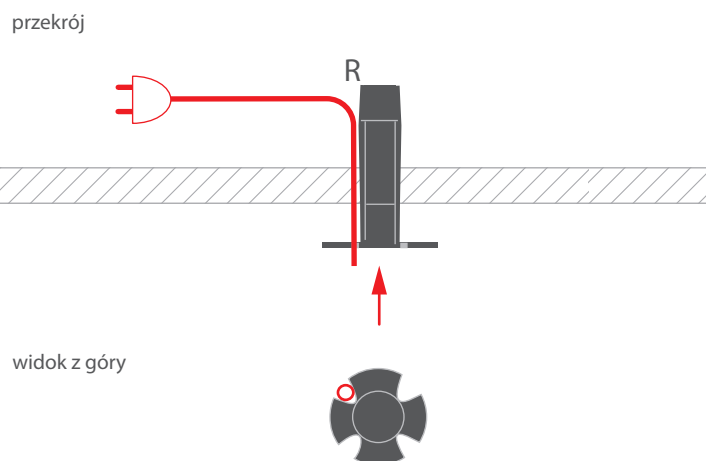
- Allen wrench
- drill
- pliers

NOTE! A list of products corresponding with the selected accessories is available at www.klusdesign.eu/uk.

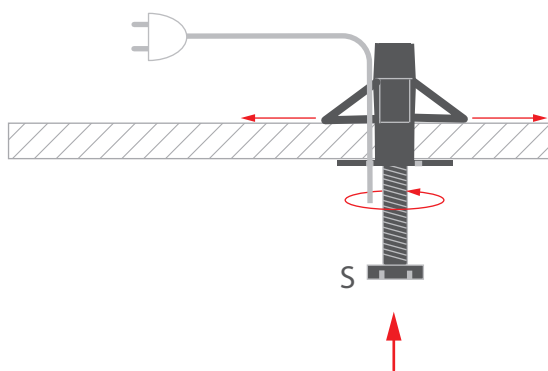
1. Drill a hole with a diameter of 10 mm in a plasterboard ceiling. The hole must be next to the outlet of the cable with a single pole (approx 5 mm from it).



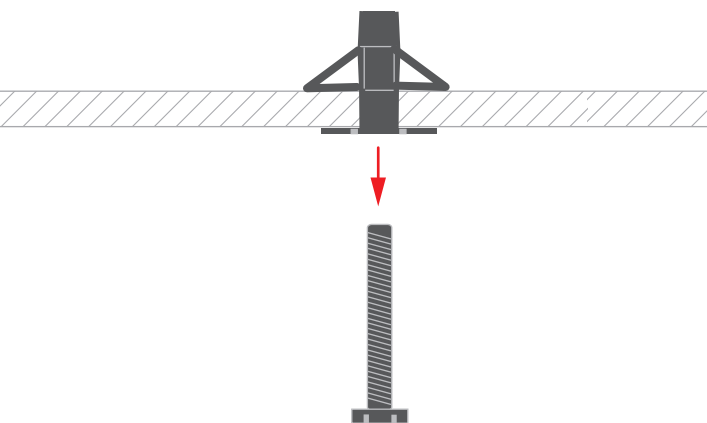
2. Insert the anchor (R) into the hole. The cable must be in one of the incisions in the anchor flange.



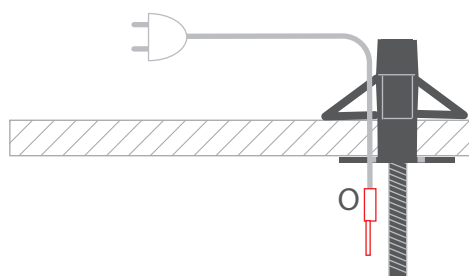
3. Tighten the screw (S) fully in the anchor to expand it and block the anchor in the ceiling.



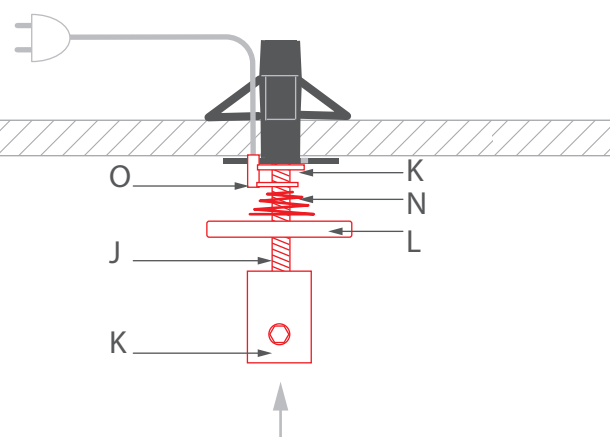
4. Remove the screw from the anchor.



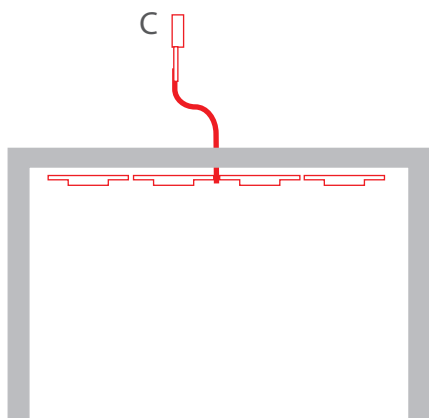
5. Run the cable (O) through the hole in the plastic screw and the head. Connect power to the LED strip.



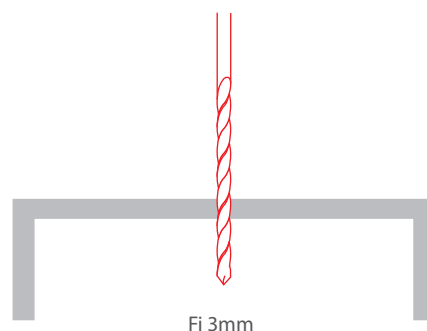
6. Bend the power connector (O) so that the hollow arm (J) can be put through it and insert it into the anchor. Onto it put the washer (P), power connector, conical spring (N), masking cover (L), and head (K). Fix the entire assembly to the ceiling.



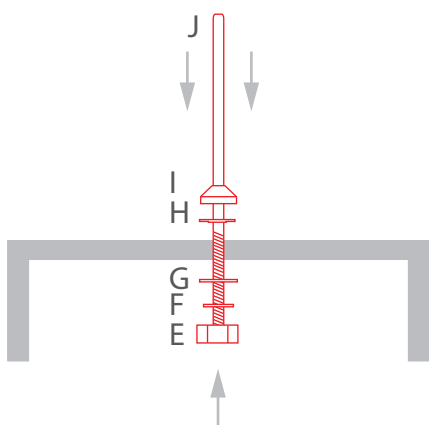
7. Lead the LED cable out of the main part of the lighting fixture and attach the small power connector (C) to it.



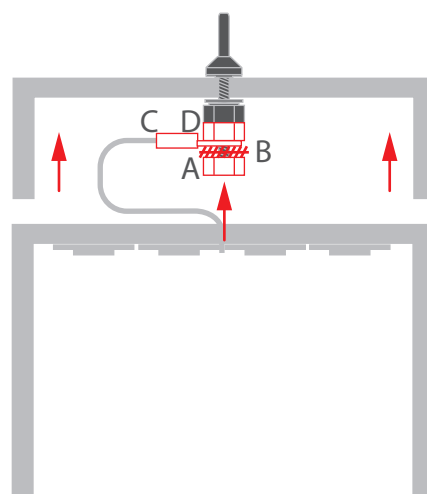
8. Drill a hole in the mounting strip of the fixture with a drill bit with a diameter of 3 mm.



9. Put the arm (J) into the drilled hole. On top put the top washer (H) and small masking cover (I). From the bottom put on the bottom washer (G), metal washer (F), and tighten the pressure nut (E) well.



10. On the tip of the arm put in sequence: top nut (D), small power connector (C), locking washer (B), and bottom nut (A). Connect both parts of the lighting fixture.



11. Attach the fixture with the arm (J) in the top head (K). Block the arm by tightening the pressure screw in the top head with the Allen wrench.

