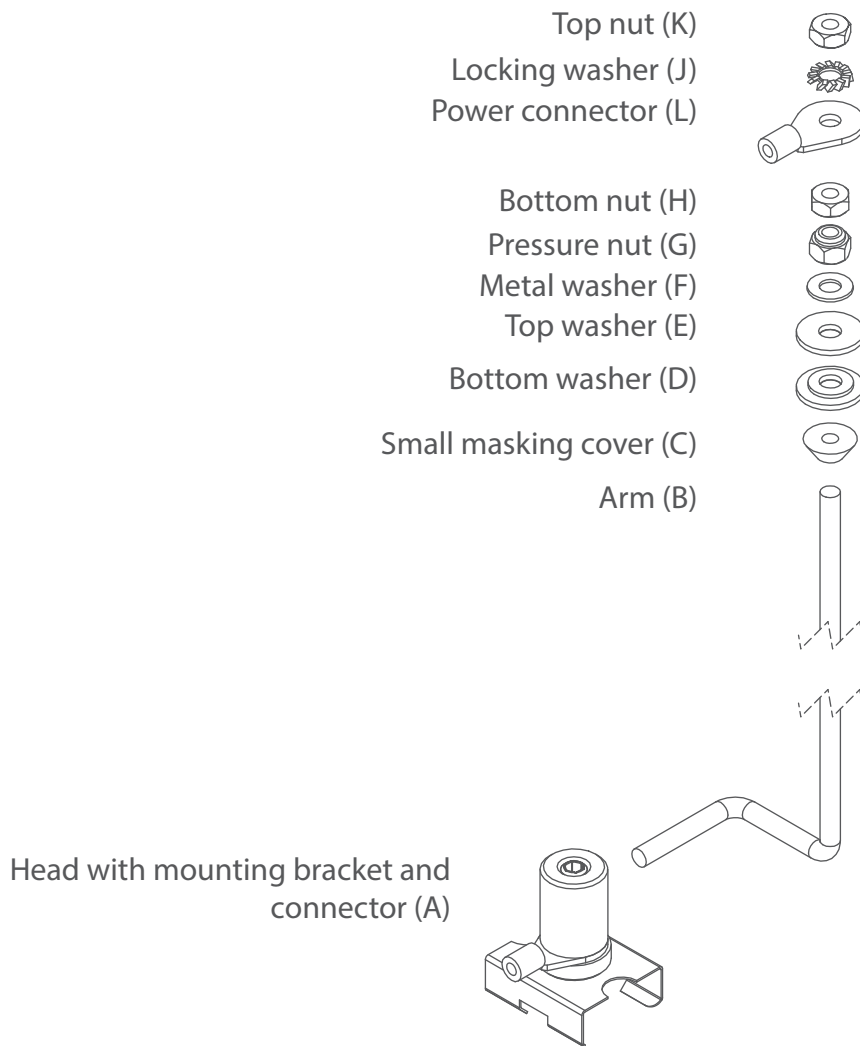


**Parts needed to assemble and mount the M14-KPL fastener set**

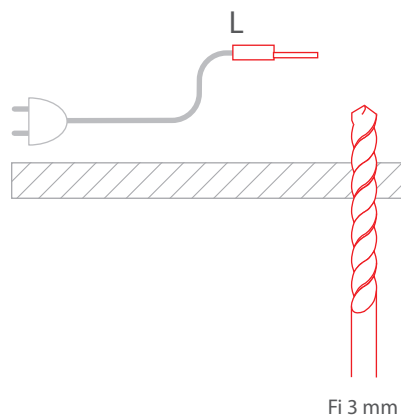


**Tools needed for mounting:**

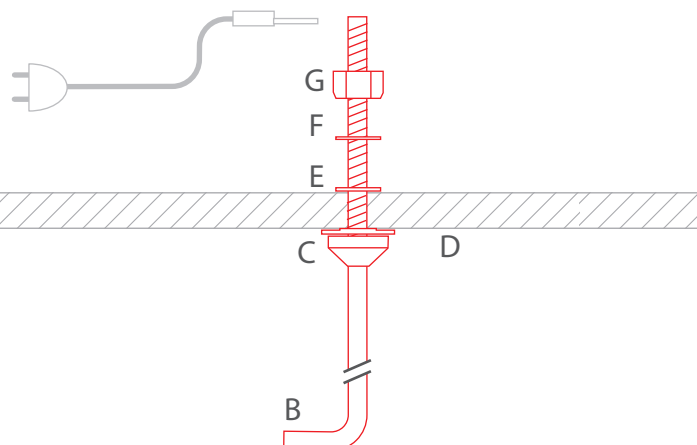
- allen wrench
- drill
- pliers

**NOTE!** A list of products corresponding with the selected accessories is available at [www.klusdesign.eu/uk](http://www.klusdesign.eu/uk).

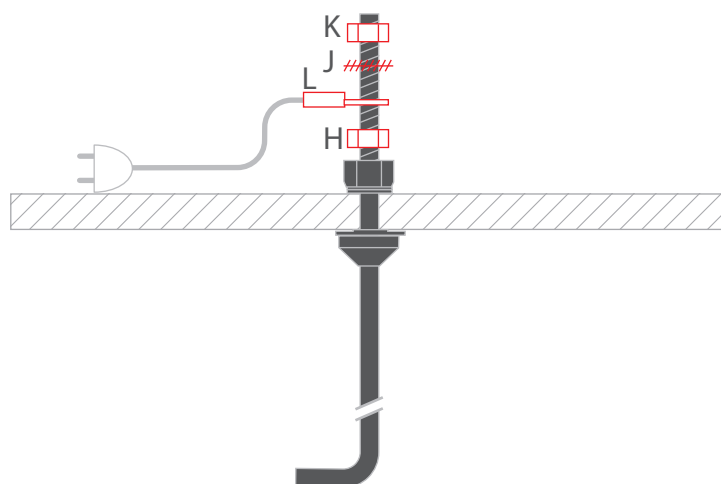
**1.** Drill a hole with a diameter of 3 mm in the mounting surface. The hole must be next to the cable with a single pole. Connect the end of the cable to the power connector (L).



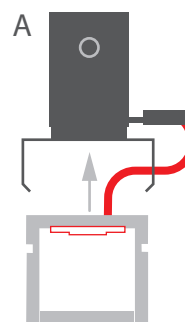
**2.** Put the small masking cover (C) and bottom washer (D) onto the arm (B). Insert the arm into the drilled hole. On top of it put the top washer (E), metal washer (F) and tighten the pressure nut (G).



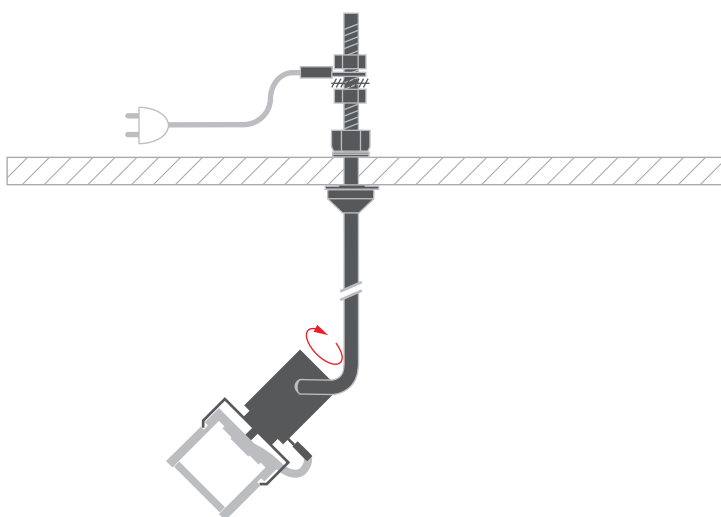
**3.** Onto the top of the arm put the bottom nut (H), power connector (I), lockingwasher (J), and top nut (K).



**4.** Connect the power cable from an assembled light fixture to the power connector in the head with the mounting bracket (A). Insert the fixture into the



**5.** Mount the lighting fixture on the arm (B) by tightening the pressure screw in the head with the Allen wrench.



**6. NOTE!** The position of the lighting fixture on the arm can be adjusted in the range of 360° (depending on the distance of the fastener from the edge of the extrusion).

