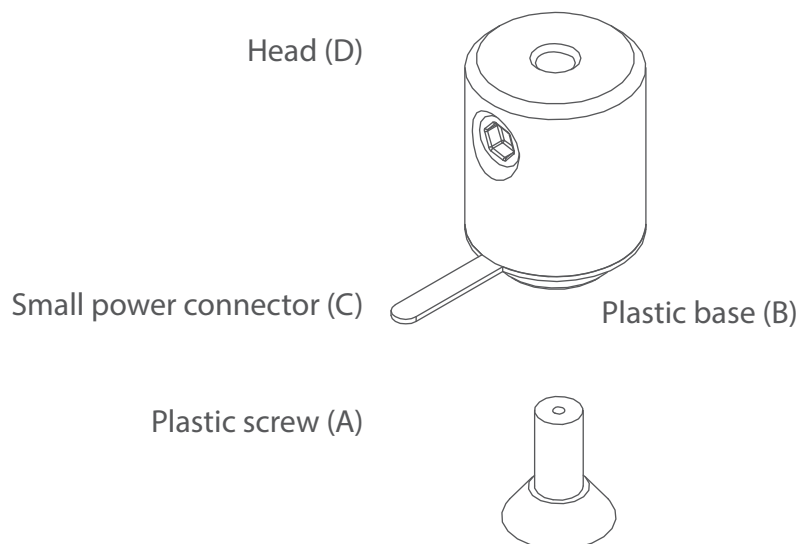


Parts needed to mount the DP-ZZ fastener

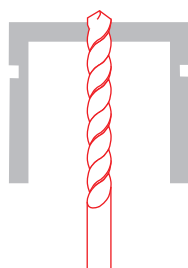


Tools needed for mounting:

- drill
- pliers
- Allen wrench
- soldering tool

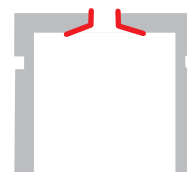
NOTE! A list of products corresponding with the selected accessories is available at www.KlusDesign.eu

1. Drill a hole with a diameter of 5 mm in the selected extrusion

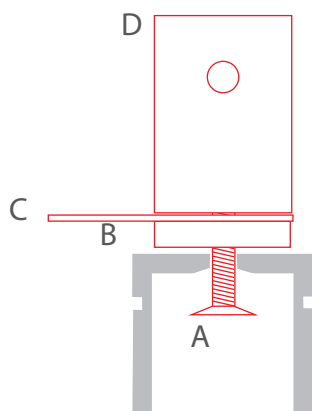


Fi 5 mm

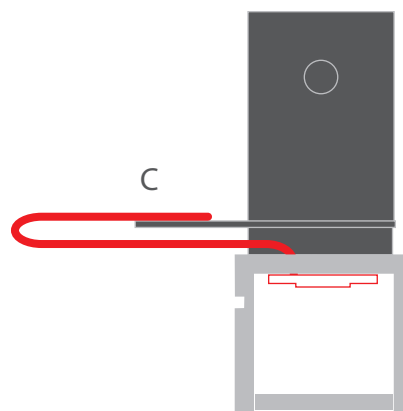
2. Bevel the hole so that the plastic screw head fits in.



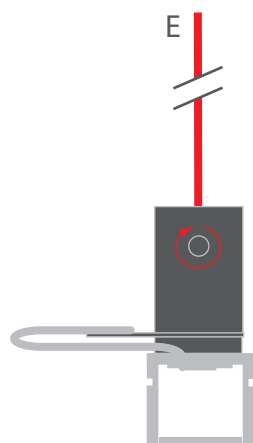
3. Mount the plastic screw (A), on the top mount the assembled plastic base (B), small power connector (C) and head (D).



4. Connect the power cable from the LED strip to the power connector (C). The cable can be run through the hole drilled in an end cap or the extrusion.



5. Insert the selected rod into the mounting bracket of the head. Block the rod by tightening the pressure screw in the head with the Allen wrench.



6. Suspend the lighting fixture using a selected suspension and power supply system.

